

# 3 MOTORIZED EXTERNAL

## External Mounted Tab-Tension Motorized Screen Specification Sheet



**SUGGESTED SPECIFICATIONS:** \_\_\_\_\_ projection screen(s), \_\_\_\_\_ (H) x \_\_\_\_\_ (W). This specification covers 3 Series Motorized is available as an external mount, self-contained unit, with either wall or ceiling mounting capability. The screen shall contain a quick connect connector that is mounted in the housing for easy plug-in connection to the motorized fabric and roller assembly. The motorized fabric and roller assembly to be installed in the case at the factory or at a later time at the job site. To be complete with integrated low voltage trigger input and three position control switch and cover plate. The external unit to be fitted with a

curved front fascia. 3 Series Motorized screen materials are to be precision cut on computer-driven fabric tables. All 3 Series Motorized screens include tab tensioning. Each screen includes 24" (610 mm) of user adjustable black drop. Screens are available in 16:9 and 16:10 aspect ratios with standard sizing from 80" (2032 mm) to 200" (5080 mm) diagonal. Screen material to be Solar White 1.3 or Solar Gray .85. Please refer to a signed build drawing. If you require additional information not contained within this specification sheet, please contact us at [sales@screeninnovations.com](mailto:sales@screeninnovations.com) or 512-832-6939.

### Theater HDTV (16:9) Format Dimensions

Viewing Area H x W (C X B)		Standard Diagonal (A)		Overall Case Length (F)		Overall Fascia Length (G)		Approx. Ship. Wt.	
In.	mm	In.	mm	In.	mm	In.	mm	Lbs.	Kg
39.25" X 69.75"	997 X 1772	80"	2032	84.813"	2154	92.313"	2345	101	46
45.125" X 80.188"	1,146 X 2037	92"	2337	95.25"	2419	102.75"	2610	111	50
49" X 87.188"	1,245 X 2215	100"	2540	102.25"	2597	109.75"	2788	118	54
51.938" X 92.375"	1,319 X 2346	106"	2692	107.438"	2729	114.938"	2919	123	56
53.938" X 95.875"	1,370 X 2435	110"	2794	110.938"	2818	118.438"	3008	126	57
58.813" X 104.563"	1,494 X 2656	120"	3048	119.625"	3038	127.125"	3229	135	61
65.188" X 115.938"	1,656 X 2945	133"	3378	131"	3327	138.5"	3518	149	68

### Wide (16:10) Format Dimensions

Viewing Area H x W (C X B)		Standard Diagonal (A)		Overall Case Length (F)		Overall Fascia Length (G)		Approx. Ship. Wt.	
In.	mm	In.	mm	In.	mm	In.	mm	Lbs.	Kg
42.375" X 67.813"	1,076 X 1722	80"	2032	82.875"	2105	90.375"	2296	100	45
48.75" X 78"	1,238 X 1981	92"	2337	93.063"	2364	100.563"	2554	109	49
53" X 84.813"	1,346 X 2154	100"	2540	99.875"	2537	107.375"	2727	116	53
56.188" X 89.875"	1,427 X 2283	106"	2692	104.938"	2665	112.438"	2856	121	55
58.313" X 93.25"	1,481 X 2369	110"	2794	108.313"	2751	115.813"	2942	124	56
63.625" X 101.75"	1,616 X 2584	120"	3048	116.813"	2967	124.313"	3158	132	60
70.5" X 112.813"	1,791 X 2865	133"	3378	127.875"	3248	135.375"	3439	146	66

## PRODUCT NOTES

- All screens come with user adjustable black-drop between the case and viewing surface up to 24" (61 mm).
- All screens come with Wall Switch, IR Remote, and Low Voltage Trigger.
- Screen surface is tab-tensioned with user adjustability.
- Aspect ratios Available: 16:9, 16:10
- For dimensions not listed, please see our online screen calculator. <http://dash.screeninnovations.com/screencalculator>
- Viewing surface widths of 116" (2,946 mm) or larger will utilize "commercial" case dimensions.

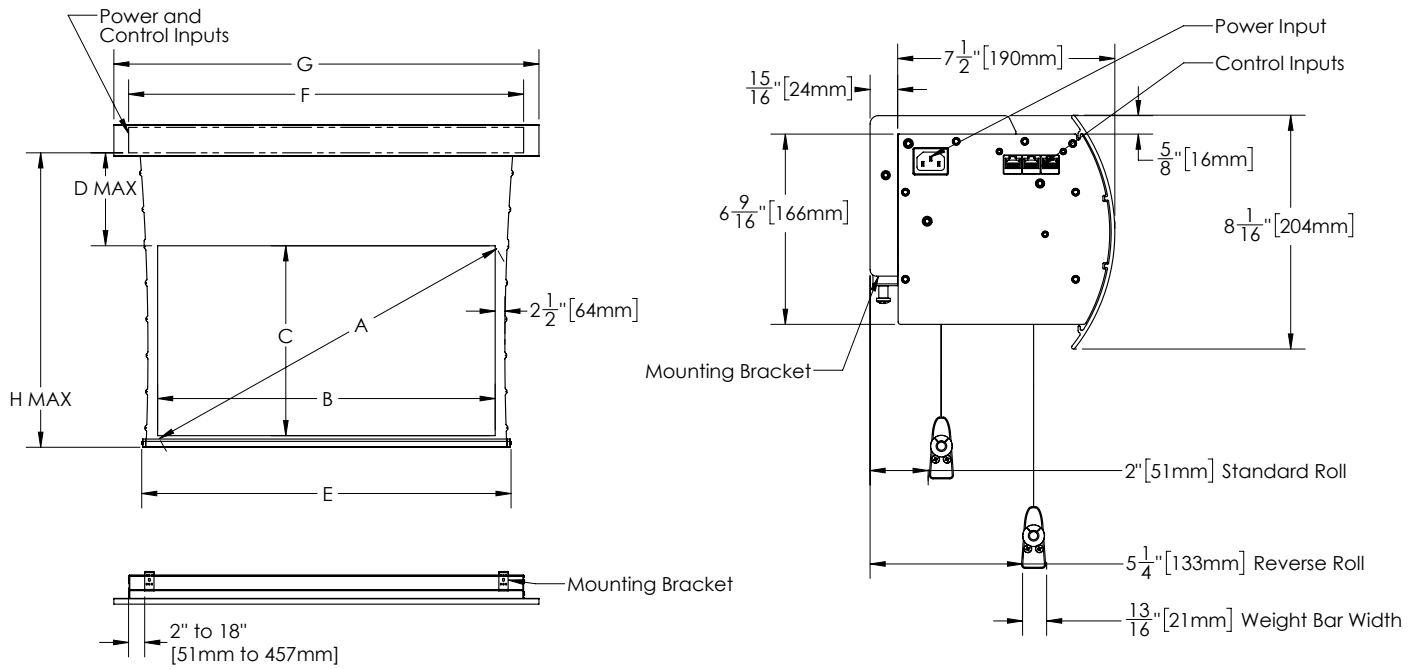
## MATERIAL INFORMATION

- All surfaces will be seamless.
- Max viewing height 70.5 inches (1791 mm)

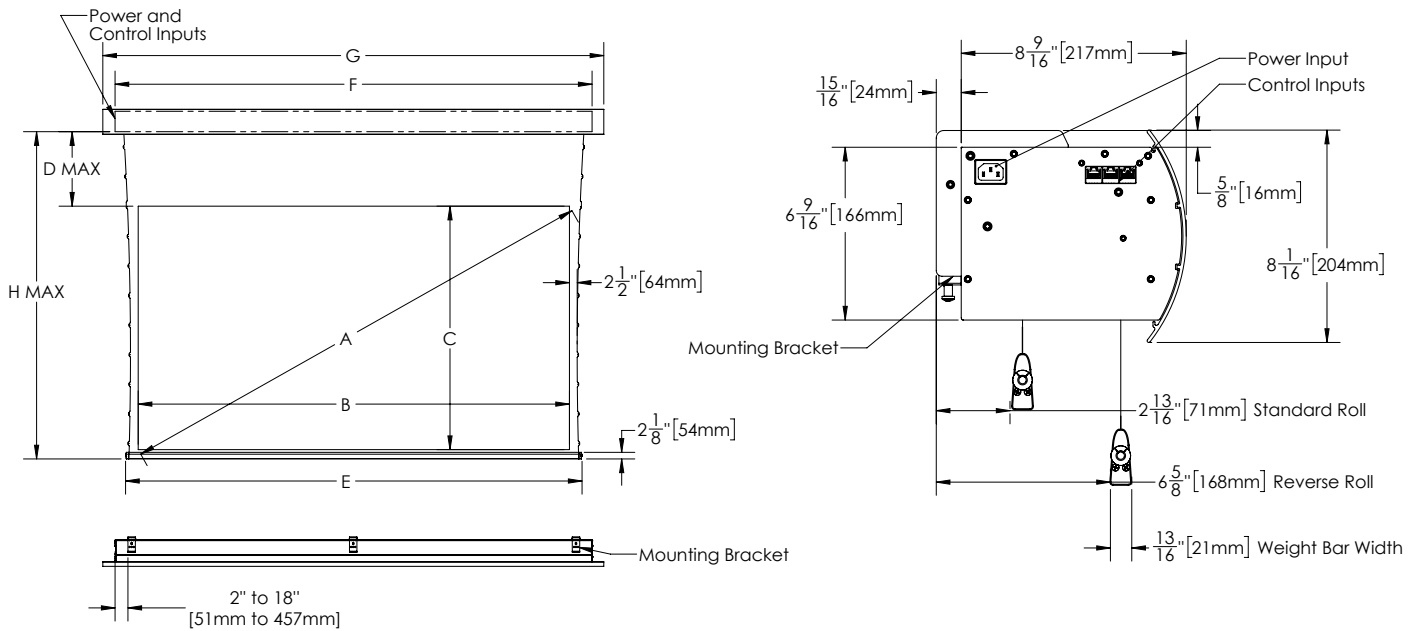
## WHEN ORDERING, MARK APPROPRIATE SELECTIONS

1. Select Size from Charts.
2. Select Screen Material:
  - Solar White 1.3
  - Solar Gray .85
3. Screen Options:
  - 220v Motor
  - RS232/485 Control & Cable

**Compact Case**  
Viewing width < 116" (2,946 mm)



**Commercial Case**  
Viewing width > 116" (2,946 mm)



9715-B Burnet Rd. Ste 400  
Austin, TX 78758  
512-832-6939  
screeninnovations.com

SI3MEXSS2.1  
© 2017 Screen Innovations.

<b>Project Name:</b>	_____
<b>Architect:</b>	_____
<b>Contractor:</b>	_____ Phone _____
<b>Reseller:</b>	_____ Phone _____