

3 FIXED

Aluminum Frame with Velvet Wrap Specification Sheet



SUGGESTED SPECIFICATIONS: _____ projection screen(s), _____ (H) x _____ (W). The 3 Series Fixed Frame is a 3½ inch (89 mm) wide by 2 inch (51 mm) deep, mitered, velvet wrapped aluminum screen frame. When mounted, screen surface is ¾ inches (19 mm) from the wall. Screens are available in fixed sizes in aspect ratios: 16:9, 16:10, 2:35:1. 2 Material choices are Solar White 1.3 and Solar Gray .85. Screen material to be installed using our patented EZ-Snap™ tensioning system.

3 Series Fixed Frame screens are wall mountable using steel mounting plates. Drawings and specification specs contained within this specification sheet, and on the website, are generic and are not to be used for construction purposes. Please refer to a signed build drawing. If you require additional information not contained within this specification sheet, please contact us at sales@screeninnovations.com or 512-832-6939.

Theater HDTV (16:9) Format Dimensions

Viewing Area H x W (C x B)		Standard Diagonal (A)		Overall Dimensions H x W (E x D)		Approx. Ship. Wt.	
In.	mm	In.	mm	In.	mm	Lbs.	Kg
39.25" X 69.75"	997 X 1,772	80"	2,032	46.5" X 77"	1,181 X 1,956	36	16
45.125" X 80.188"	1,146 X 2,037	92"	2,337	52.375" X 87.438"	1,330 X 2,221	40	18
49" X 87.188"	1,245 X 2,215	100"	2,540	56.25" X 94.438"	1,429 X 2,399	43	20
51.938" X 92.375"	1,319 X 2,346	106"	2,692	59.188" X 99.625"	1,503 X 2,530	45	20
53.938" X 95.875"	1,370 X 2,435	110"	2,794	61.188" X 103.125"	1,554 X 2,619	47	21
58.813" X 104.563"	1,494 X 2,656	120"	3,048	66.063" X 111.813"	1,678 X 2,840	51	23
65.188" X 115.938"	1,656 X 2,945	133"	3,378	72.438" X 123.188"	1,840 X 3,129	65	29
78.438" X 139.438"	1,992 X 3,542	160"	4,064	85.688" X 146.688"	2,176 X 3,726	78	35
90.688" X 161.25"	2,303 X 4,096	185"	4,699	97.938" X 168.5"	2,488 X 4,280	90	41
100.5" X 178.688"	2,553 X 4,539	205"	5,207	107.75" X 185.938"	2,737 X 4,723	110	50

Wide (16:10) Format Dimensions

Viewing Area H x W (C x B)		Standard Diagonal (A)		Overall Dimensions H x W (E x D)		Approx. Ship. Wt.	
In.	mm	In.	mm	In.	mm	Lbs.	Kg
42.375" X 67.813"	1,076 X 1,722	80"	2,032	49.625" X 75.063"	1,260 X 1,907	36	16
48.75" X 78"	1,238 X 1,981	92"	2,337	56" X 85.25"	1,422 X 2,165	40	18
53" X 84.813"	1,346 X 2,154	100"	2,540	60.25" X 92.063"	1,530 X 2,338	43	20
56.188" X 89.875"	1,427 X 2,283	106"	2,692	63.438" X 97.125"	1,611 X 2,467	46	21
58.313" X 93.25"	1,481 X 2,369	110"	2,794	65.563" X 100.5"	1,665 X 2,553	47	21
63.625" X 101.75"	1,616 X 2,584	120"	3,048	70.875" X 109"	1,800 X 2,769	51	23
70.5" X 112.813"	1,791 X 2,865	133"	3,378	77.75" X 120.063"	1,975 X 3,050	66	30
84.813" X 135.688"	2,154 X 3,446	160"	4,064	92.063" X 142.938"	2,338 X 3,631	78	35
98.063" X 156.875"	2,491 X 3,985	185"	4,699	105.313" X 164.125"	2,675 X 4,169	90	41

CinemaScope (2:35:1) Format Dimensions

Viewing Area H x W (C x B)		Standard Diagonal (A)		Overall Dimensions H x W (E x D)		Approx. Ship. Wt.	
In.	mm	In.	mm	In.	mm	Lbs.	Kg
31.313" X 73.625"	795 X 1,870	80"	2,032	38.563" X 80.875"	979 X 2,054	35	16
36" X 84.625"	914 X 2,149	92"	2,337	43.25" X 91.875"	1,099 X 2,334	39	18
39.125" X 92"	994 X 2,337	100"	2,540	46.375" X 99.25"	1,178 X 2,521	42	19
41.5" X 97.563"	1,054 X 2,478	106"	2,692	48.75" X 104.813"	1,238 X 2,662	44	20
43.063" X 101.188"	1,094 X 2,570	110"	2,794	50.313" X 108.438"	1,278 X 2,754	46	21
47" X 110.438"	1,194 X 2,805	120"	3,048	54.25" X 117.688"	1,378 X 2,989	49	22
52.063" X 122.375"	1,322 X 3,108	133"	3,378	59.313" X 129.625"	1,507 X 3,292	65	29
62.625" X 147.25"	1,591 X 3,740	160"	4,064	69.875" X 154.5"	1,775 X 3,924	77	35
75.563" X 177.563"	1,919 X 4,510	193"	4,902	82.813" X 184.813"	2,103 X 4,694	98	44
90.063" X 211.625"	2,288 X 5,375	230"	5,842	97.313" X 218.875"	2,472 X 5,559	116	53
101.813" X 239.25"	2,586 X 6,077	260"	6,604	109.063" X 246.5"	2,770 X 6,261	131	59

PRODUCT NOTES

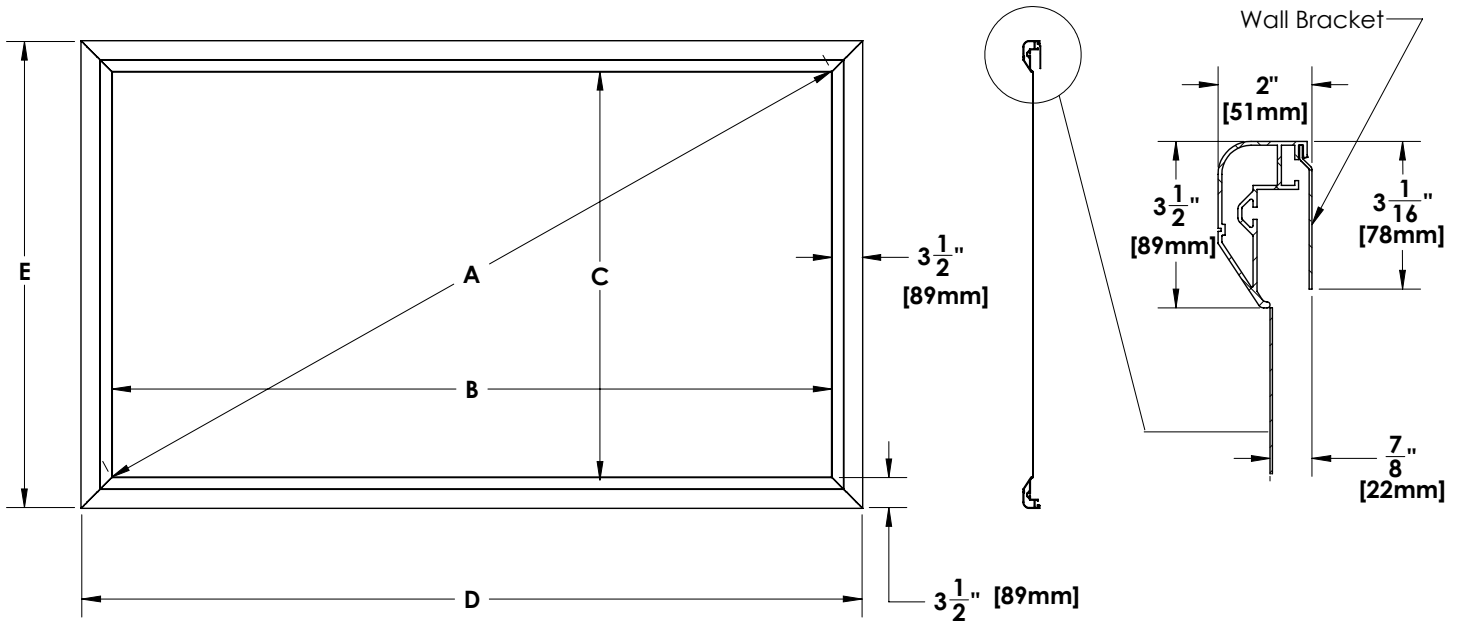
- Frame is 3½" (89 mm) wide by 2" (51 mm) deep,
- Aspect ratios Available: 16:9, 16:10, 2:35:1
- EZ-Snap™ tensioning system
- For dimensions not listed, please see our online screen calculator.
http://dash.screeninnovations.com/screencalculator

MATERIAL INFORMATION

- All surfaces will be seamless.
- Max viewing height 101¼" (2,586 mm)

WHEN ORDERING, MARK APPROPRIATE SELECTIONS

1. Select Size from Charts.
2. Select Screen Material:
 - Solar White 1.3
 - Solar Gray .85
3. Screen Options:
 - Stand



9715-B Burnet Rd. Ste 400
Austin, TX 78758
512-832-6939
screeninnovations.com

SI3FSS2.1
© 2016 Screen Innovations.

Project Name:	_____
Architect:	_____
Contractor:	_____ Phone _____
Reseller:	_____ Phone _____