

Nano Roll

Manual Operation Instructions


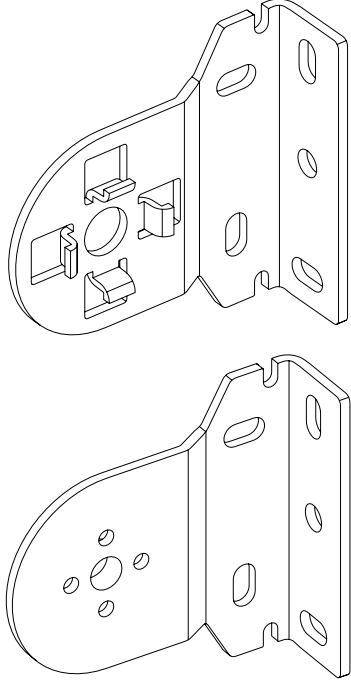
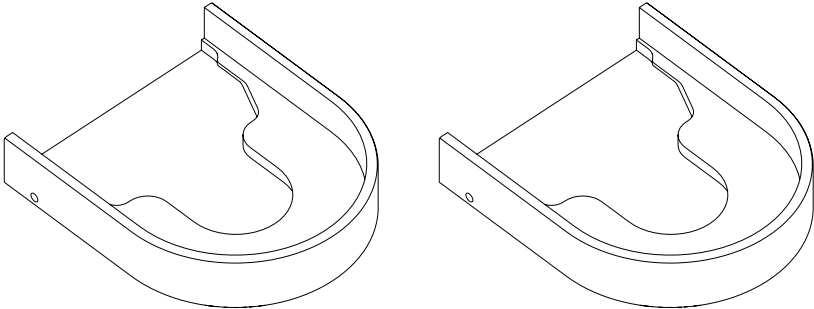


INSTALLERS: Please leave this manual with the owner.



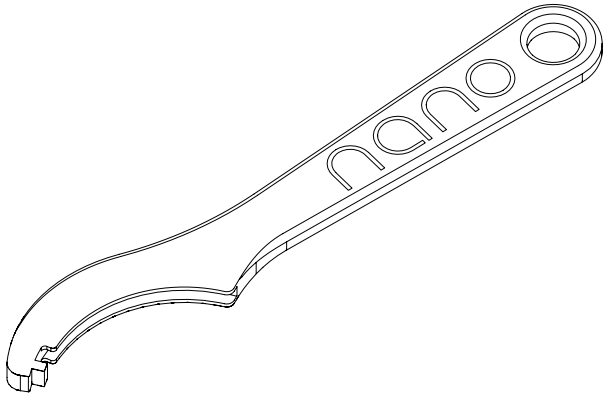
PART NO. 400033

PARTS LIST – Nano Roll – Manual Operation

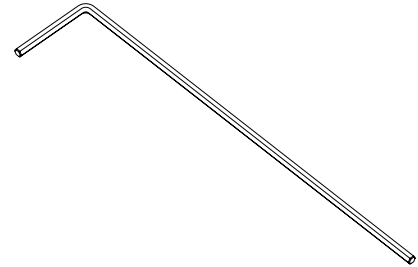
<p style="text-align: center;">Shade</p>  <p style="text-align: right;">275 Roll</p>	<p style="text-align: center;">Wall Brackets</p>  <p style="text-align: center;">Screws included (3 per bracket)</p>
<p style="text-align: center;">End Caps</p> 	

ADDITIONAL ACCESSORIES LIST – Nano Roll – Manual

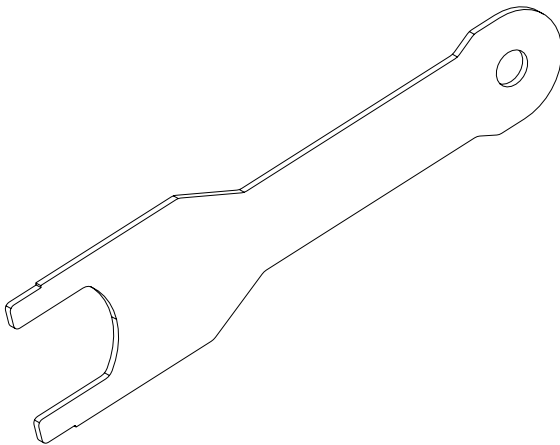
Spanner Wrench



Set Screw Hex Tool



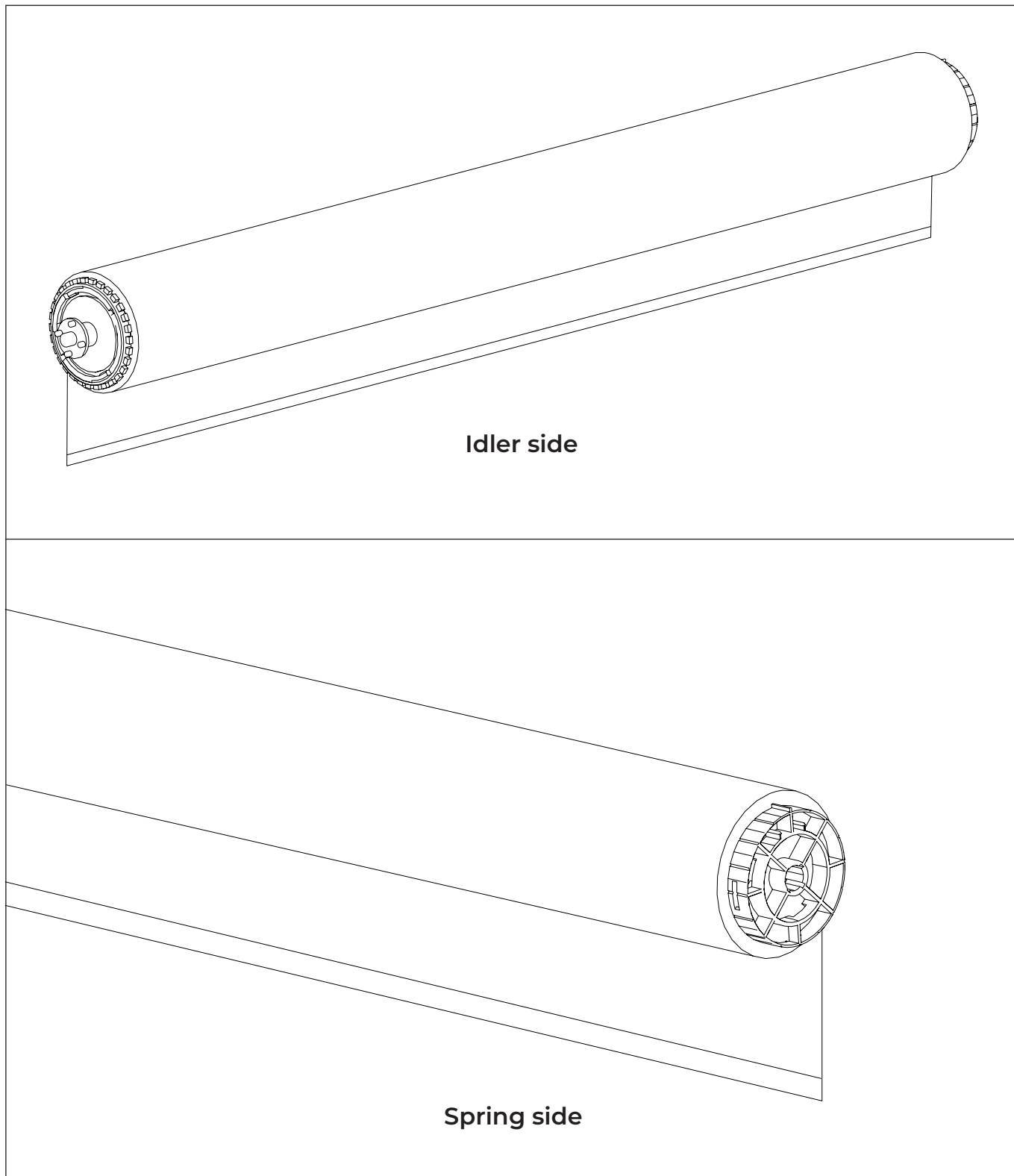
Pre-Tension Tool



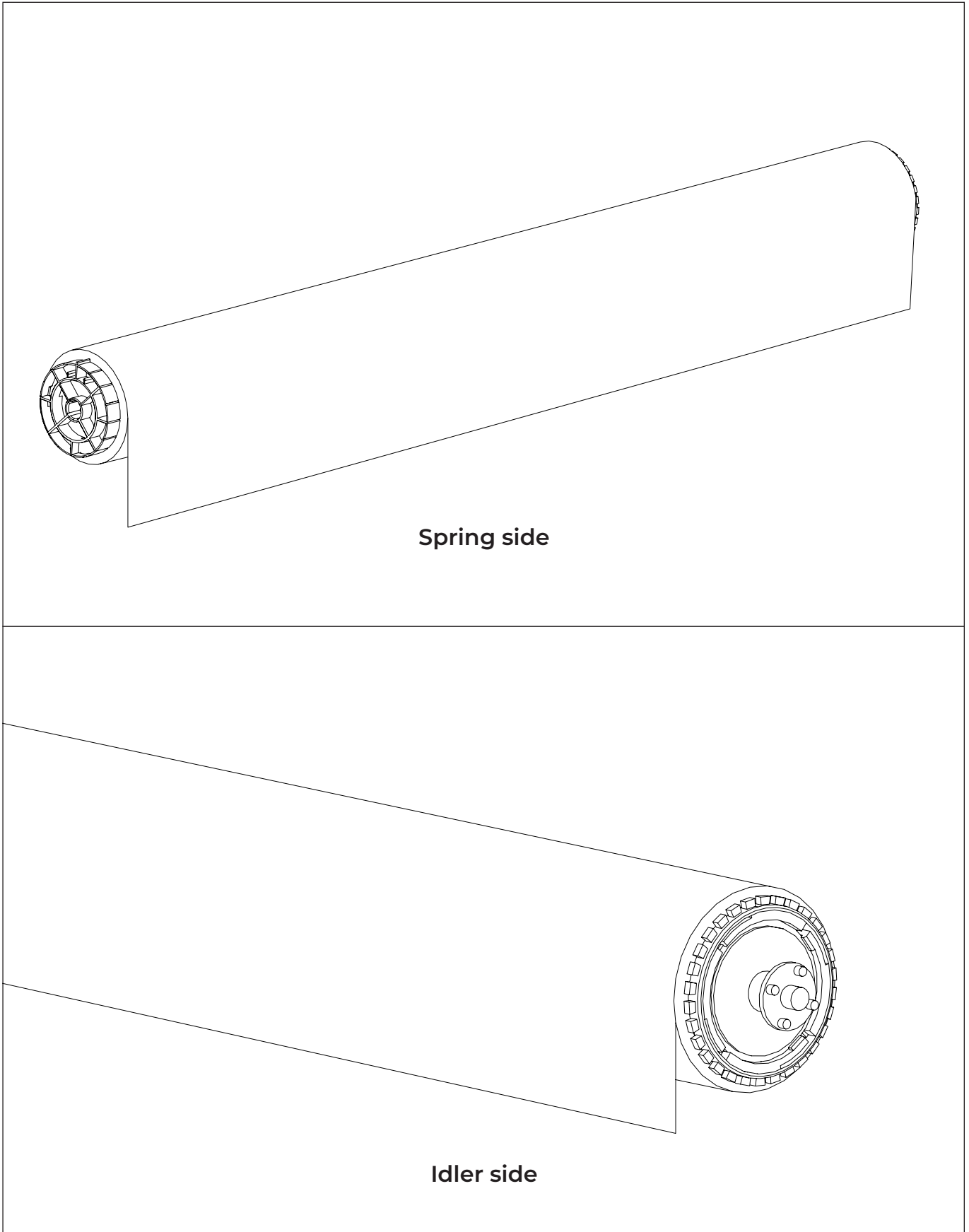
Note: For more information about these tools and their use, refer to the additional accessories document on our site:

SHADE ORIENTATION - Standard Roll

Before installing the shades, verify whether the shade was ordered as standard roll or reverse roll. The illustrations in this manual show standard roll shades, but the installation procedure for reverse roll shades is very similar.



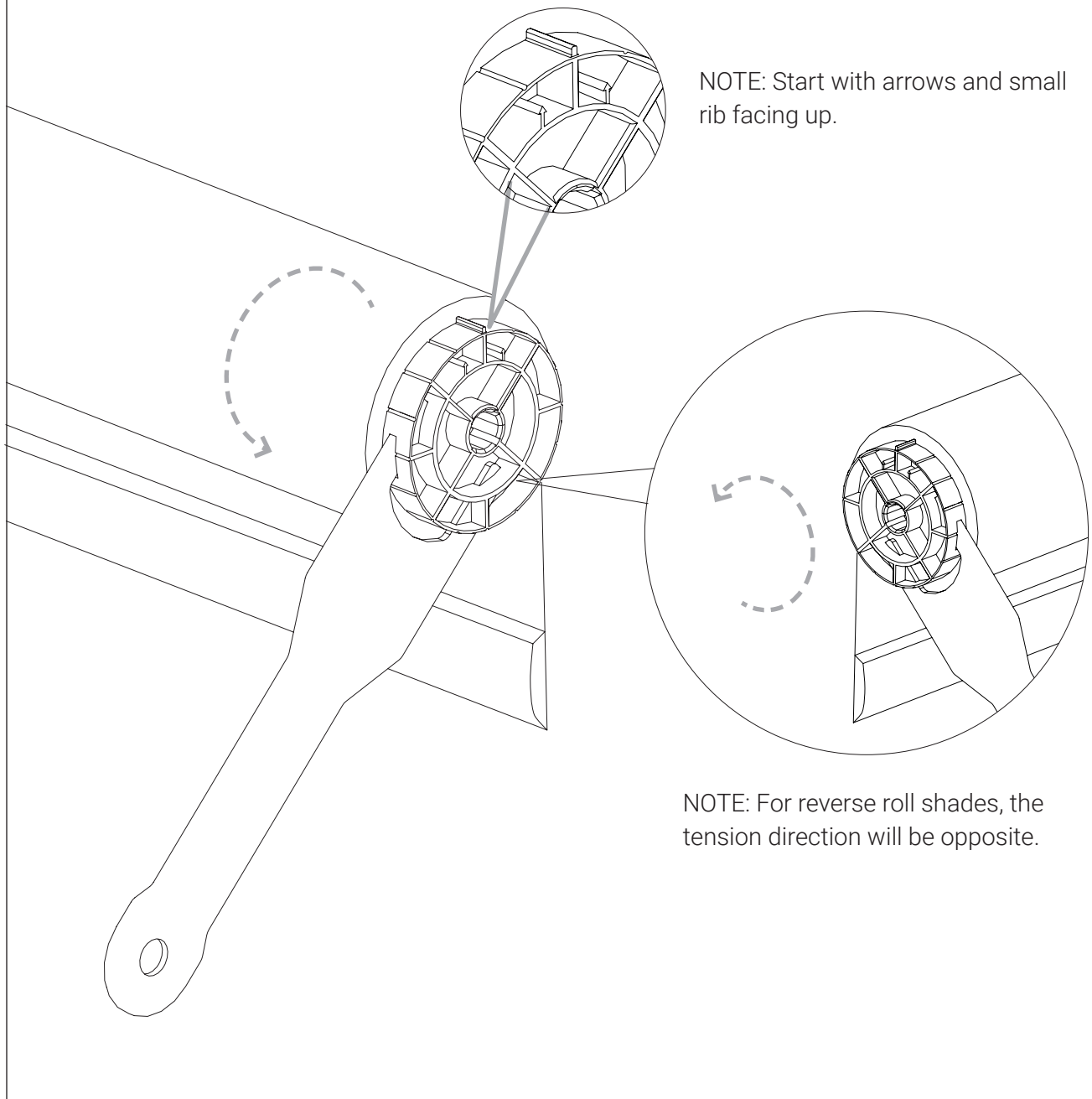
SHADE ORIENTATION - Reverse Roll



PRE-TENSION – Nano Roll – Manual Operation

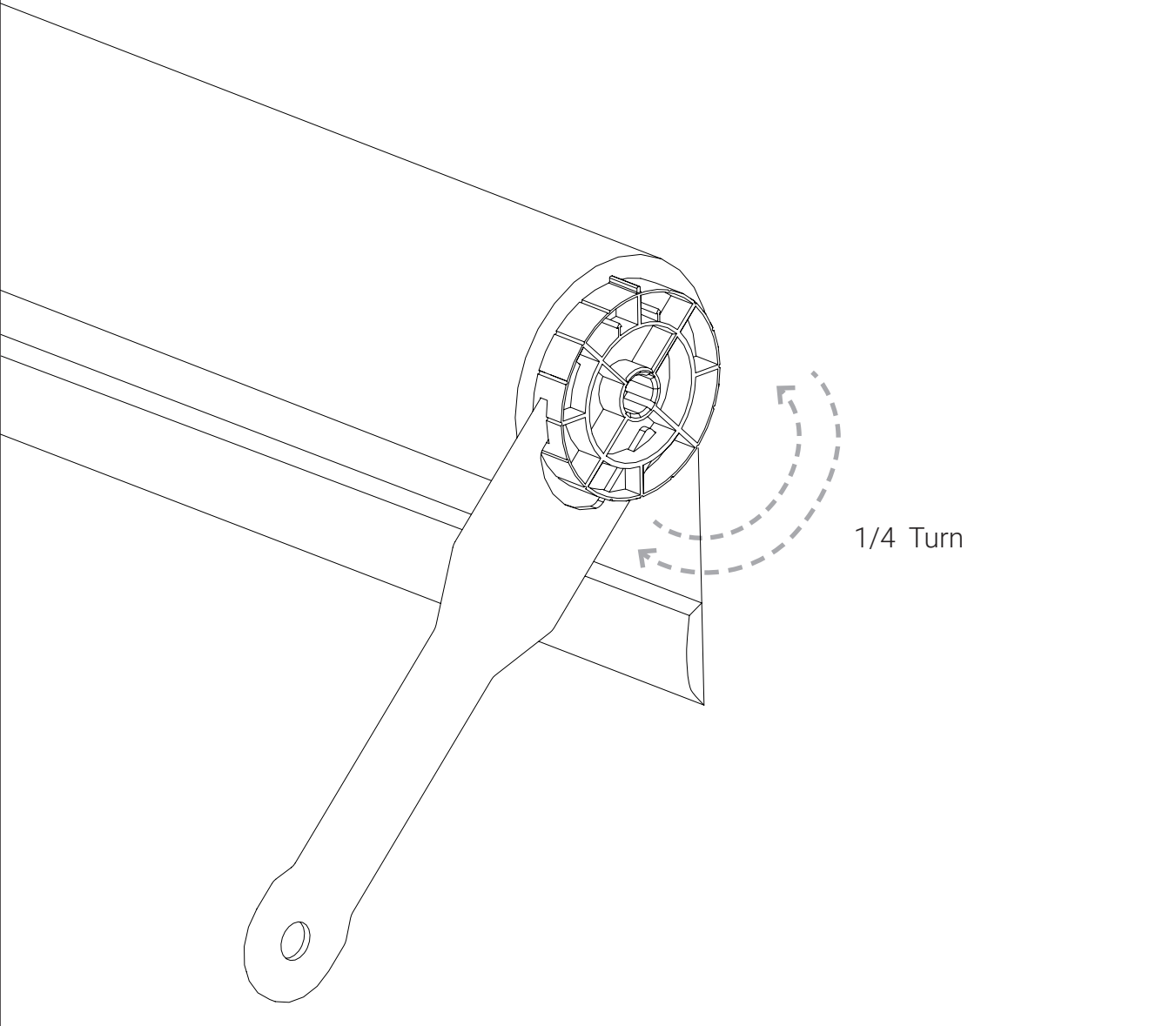
Before installing a Nano manual shade, **the spring tension must be set**. The amount of pre-tensions required for each shade varies and can be found on the attached shade list.

1. Insert the pre-tension tool into the spring control, and rotate counter-clockwise until the correct number of pre-tension rotations are set.



PRE-TENSION – Nano Roll – Manual Operation

2. Turn the spring control an extra 1/4 turn and slowly release it to lock the shade spring in place.

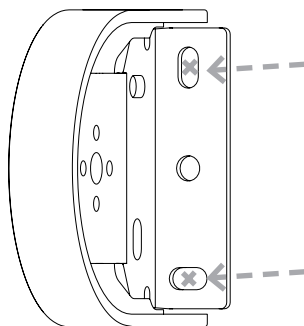


INSTALLATION – Nano Roll – Manual Operation

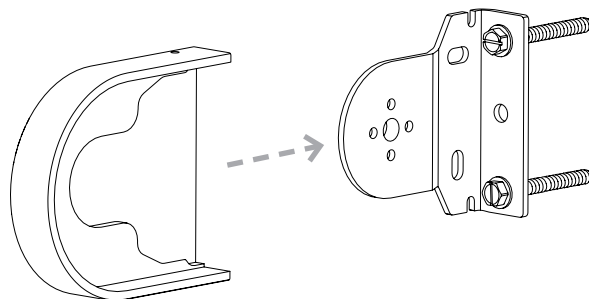
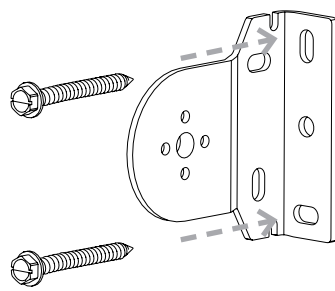
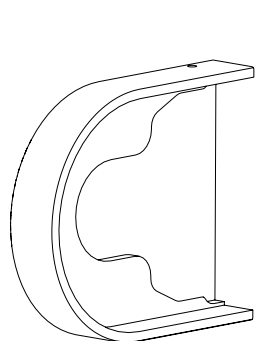
NOTE: Nano manual shade brackets are intended to be wall-mount only.

1. Hold the wall bracket/end cap assembly against the wall and mark the hole locations.

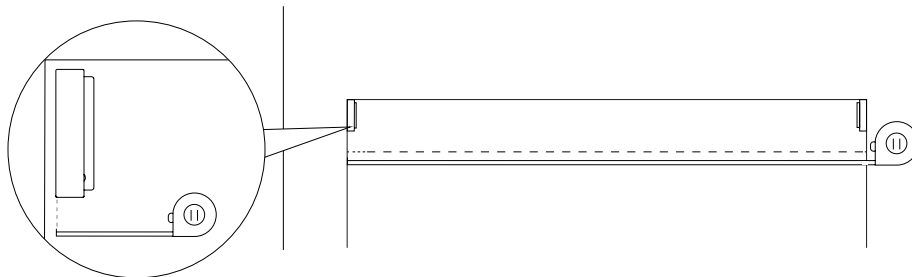
NOTE: Make sure to leave enough space for the end cap.



2. Remove the end cap, fasten the bracket with the supplied screws, and replace the end cap.



3. Measure the bracket to bracket width and verify it matches the width as ordered. **Remove the end caps.**

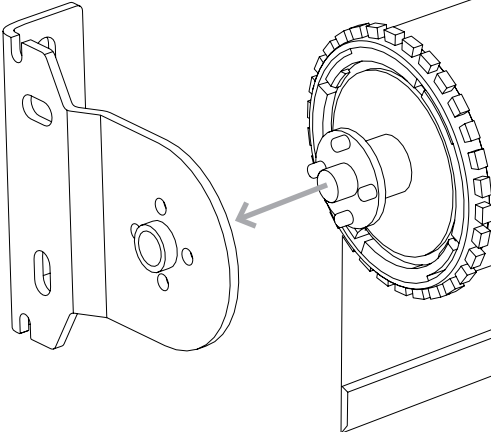


Place tape measure on the outer edge of the spring end cap, and measure to the outer edge of the idler end cap.

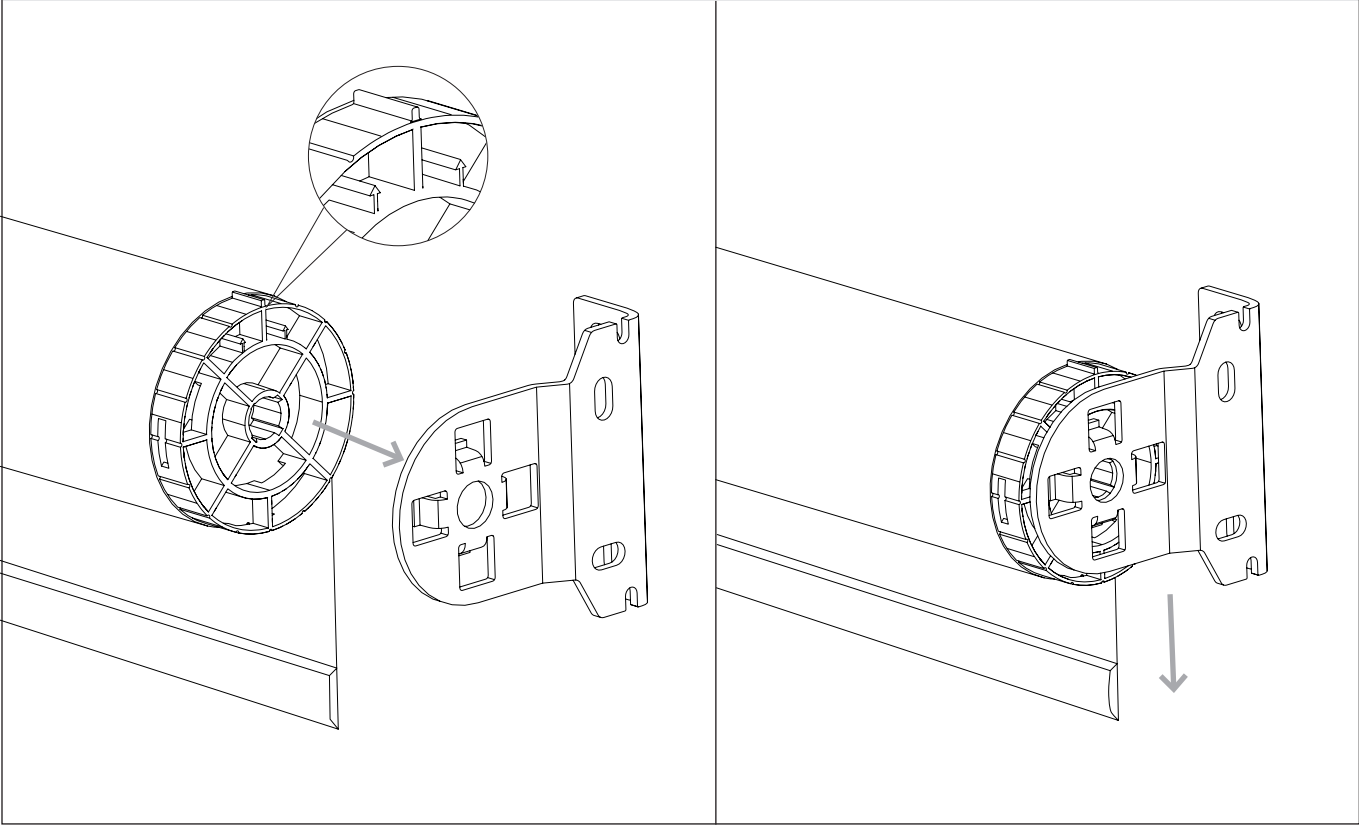
INSTALLATION – Nano Roll – Manual Operation

4. Insert the idler side, making sure the four small pins are engaged with the bracket.

NOTE: Shade should be oriented with weight bar approximately at upper limit.

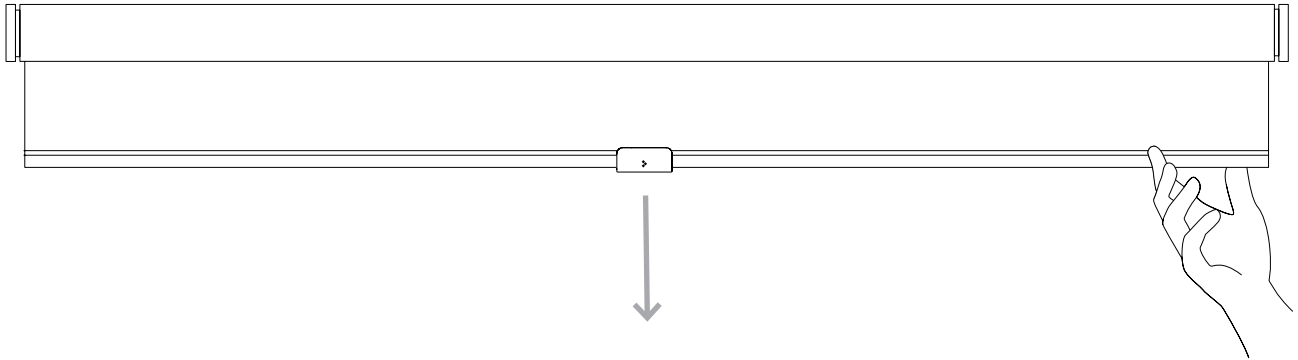


5. Install the spring side with the small rib and arrows facing upwards.

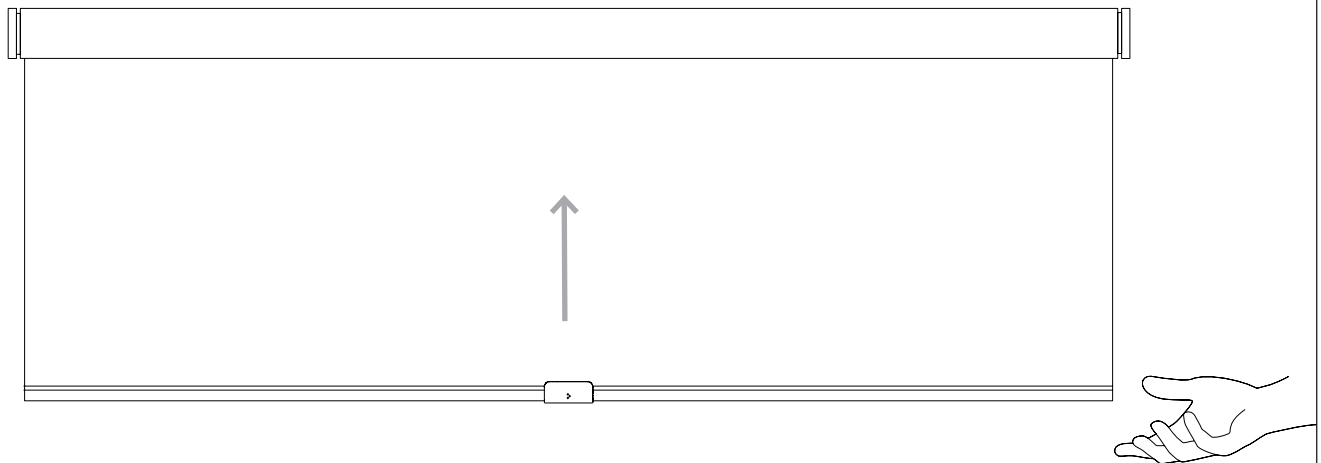


VERIFY – Spring Tension and Upper Limit

1. Pull the shade down approximately halfway.

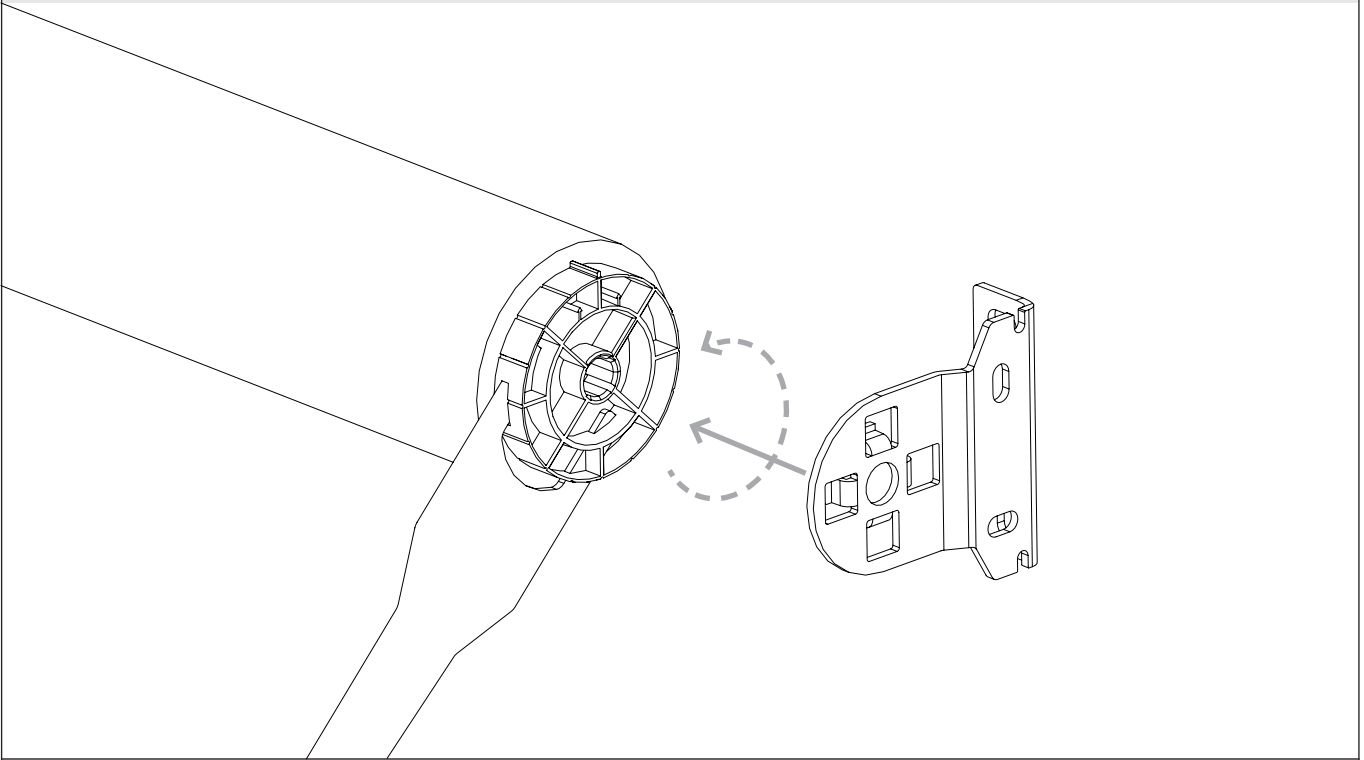


2. Pull the shade down a small amount (~1/2") and release. The shade will run to the upper limit.

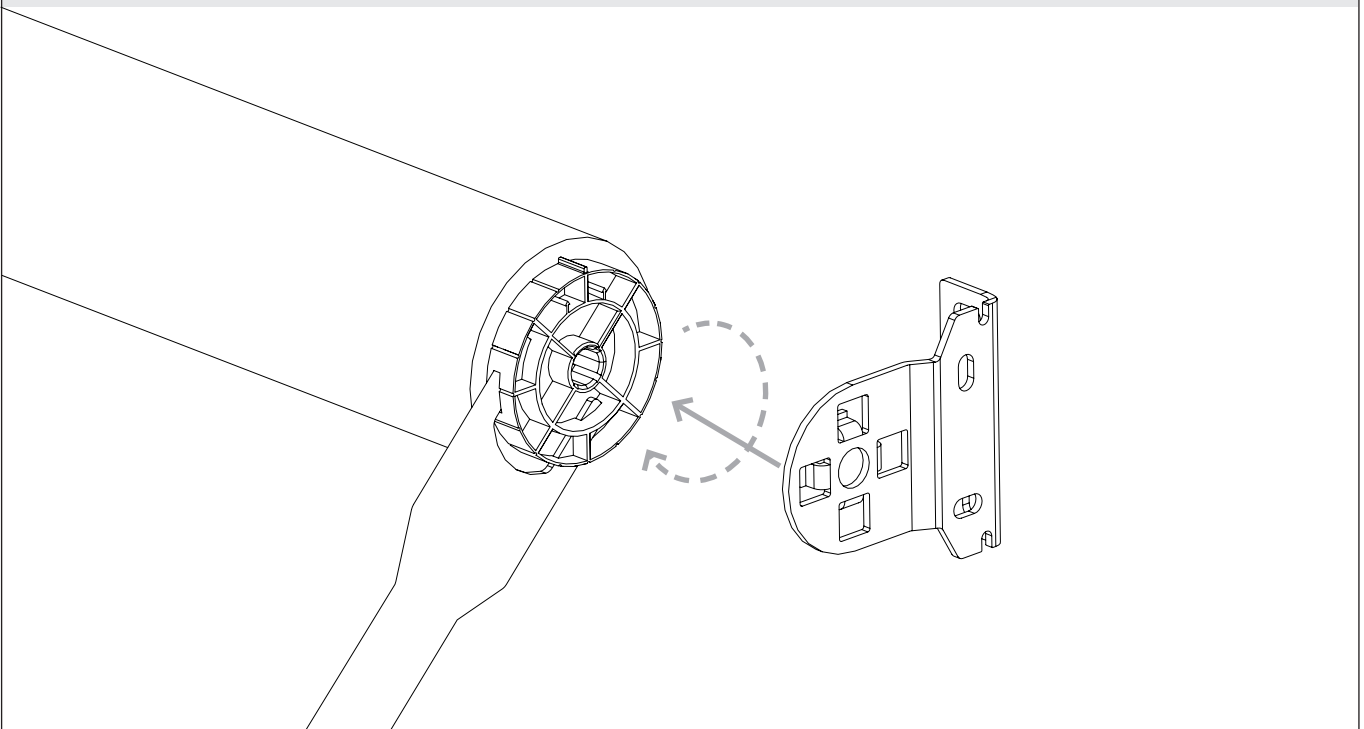


VERIFY Spring Tension and Upper Limit

3. If the shade moves too slowly, remove from bracket and add one pre-tension turn at a time until the desired speed is achieved.

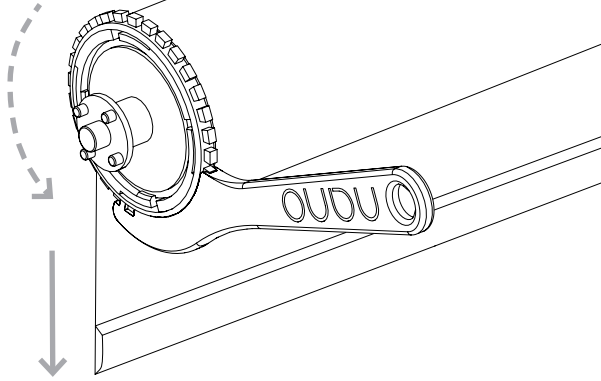


4. If the shade moves too quickly, remove from bracket and reduce one pre-tension turn at a time until the desired speed is achieved.

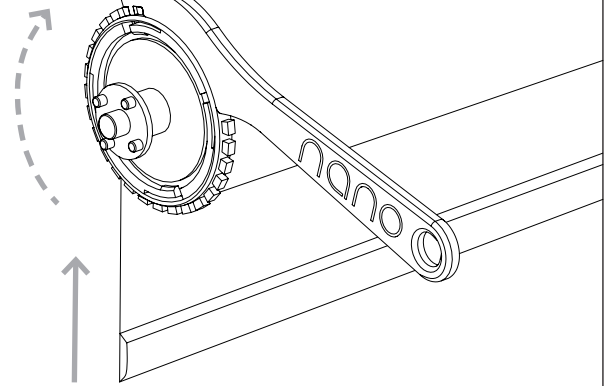


VERIFY Spring Tension and Upper Limit

5. Adjust the shade limiter using the included spanner wrench as shown below.

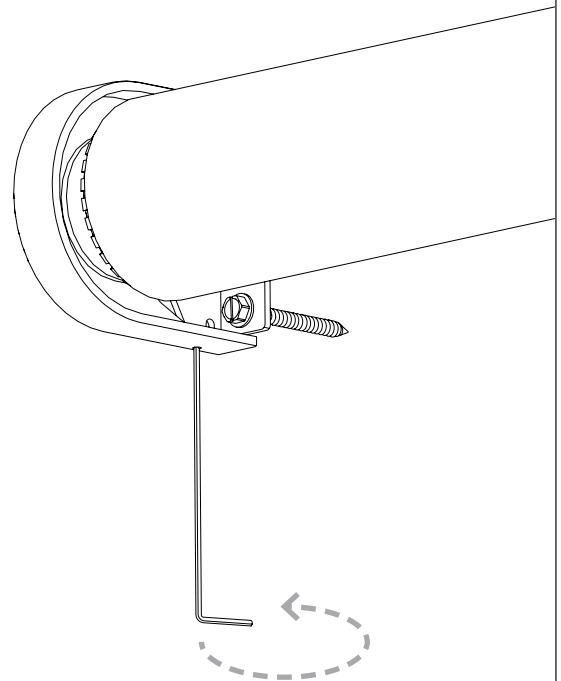
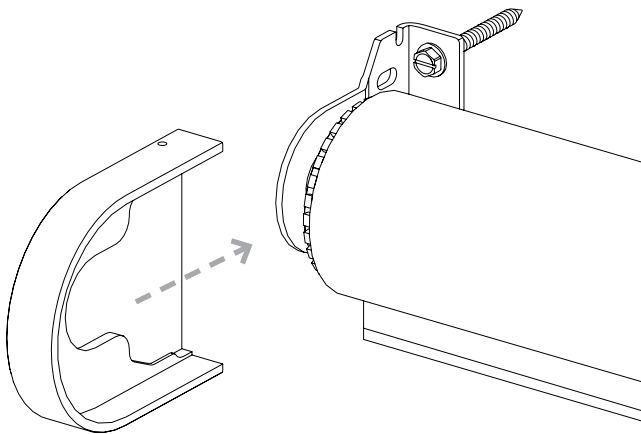


a. Turn the shade limiter counter-clockwise to lower the upper limit.



b. Turn the shade limiter clockwise to raise the upper limit.

6. Install the end caps and lock them in place with the set screw.



TROUBLESHOOTING

Tech Support: 512.832.6939

Problem	Cause	Solution
Shade is slow or jerky when moving up	Spring does not have enough pre-tension turns	Add one pretension turn at a time until the shade operates smoothly.
Shade abruptly stops at upper limit	Spring has too many pre-tension turns	Remove one pre-tension turn at a time until shade stops at upper limit smoothly.
Shade doesn't stop at upper limit	Limit incorrectly set.	Use the included spanner wrench to adjust the upper limit. Turn clockwise to move limit down, turn counter clockwise to move limit up.
Thank you for purchasing an SI product. If you have any questions or need any assistance with your Shade, we would love to help you.		
Technical Support: 512.832.6939 screeninnovations.com Hours of Support: 7:30am - 5pm CST support@screeninnovations.com		

NOTES:

1. _____
2. _____
3. _____
4. _____
5. _____
6. _____
7. _____
8. _____
9. _____
10. _____
11. _____
12. _____
13. _____
14. _____
15. _____
16. _____
17. _____
18. _____

NOTES:

1. _____
2. _____
3. _____
4. _____
5. _____
6. _____
7. _____
8. _____
9. _____
10. _____
11. _____
12. _____
13. _____
14. _____
15. _____
16. _____
17. _____
18. _____



Screen Innovations

9715-B Burnet Rd, Suite 400 Austin, TX 78758

512.832.6939

www.screeninnovations.com