

# Nano Roll

## Installation Instructions

120 VAC - SDN

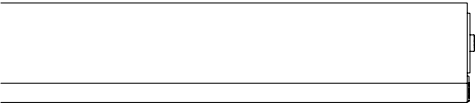

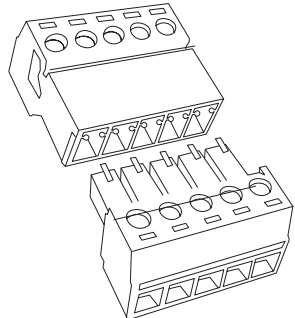
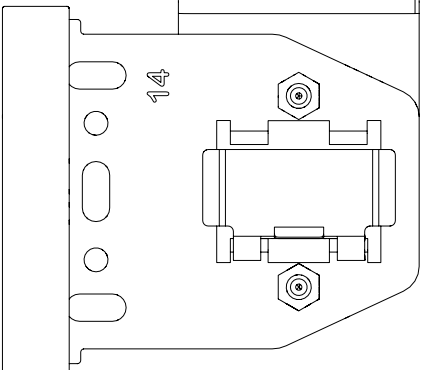
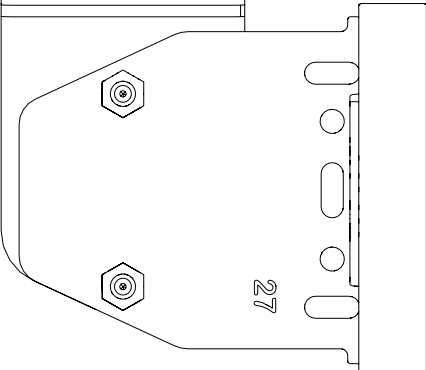
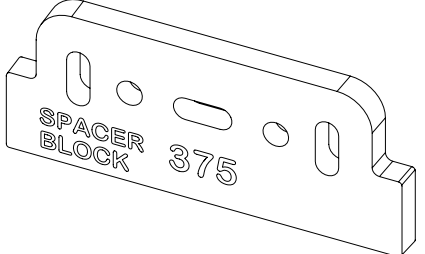
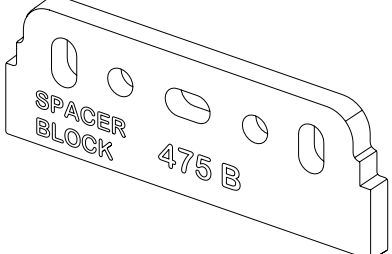


INSTALLERS: Please leave this manual with the owner.

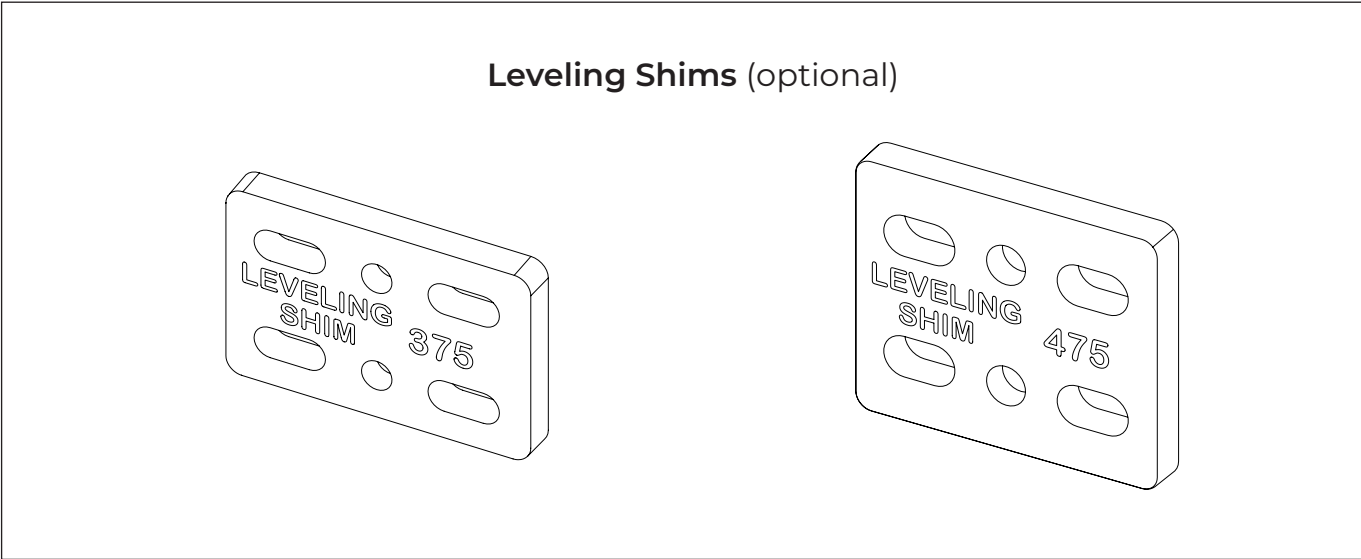


PART NO. 400032

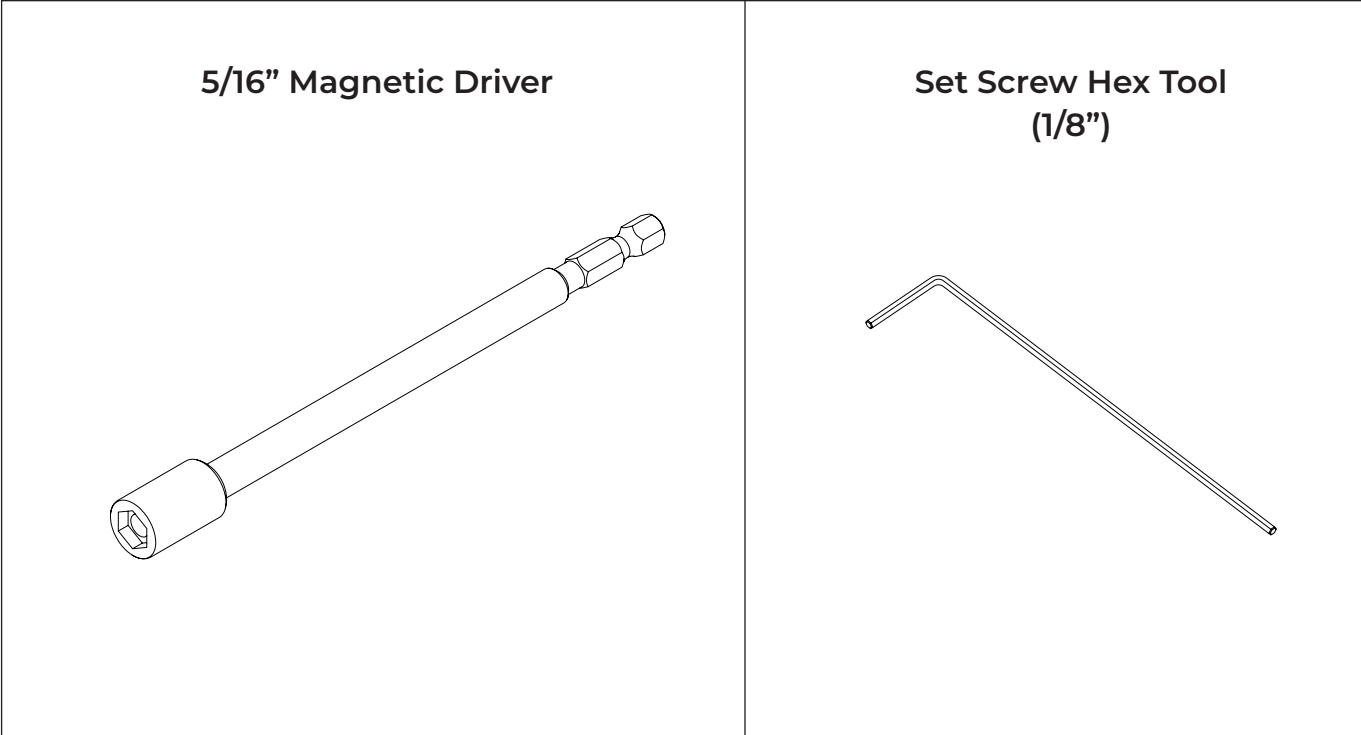
# PARTS LIST - NANO ROLL - 120 VAC - SDN

<p style="text-align: center;"><b>Shades</b></p>  <p style="text-align: right;">375 Roll</p>  <p style="text-align: right;">475 Roll</p>	<p style="text-align: center;"><b>Terminal Blocks</b></p> 
<p style="text-align: center;"><b>Wall Brackets (375 / 475) + End Caps</b></p>  <p style="text-align: center;">Motor Side</p>  <p style="text-align: center;">Idler Side</p> <p style="text-align: center;"><b>Screws included</b> (3 per bracket)</p>	
<p style="text-align: center;"><b>Spacer Blocks (optional)</b></p>  <p style="text-align: center;">SPACER BLOCK 375</p>  <p style="text-align: center;">SPACER BLOCK 475 B</p>	

# PARTS LIST - NANO ROLL - 120 VAC - SDN



# ADDITIONAL ACCESSORIES - NANO ROLL - 120 VAC - SDN

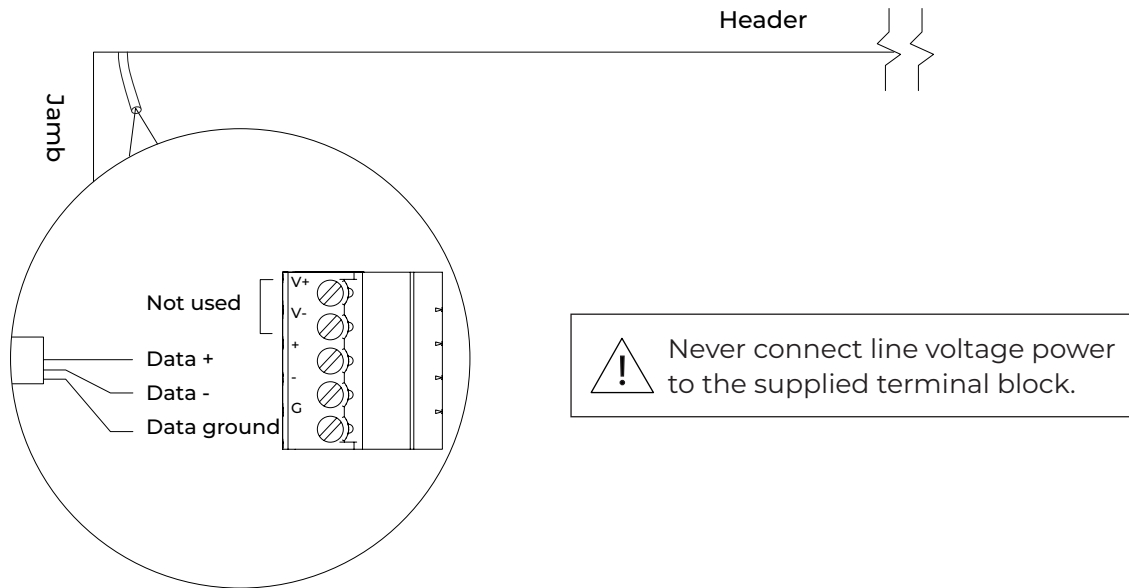


Note: For more information about these tools and their use, refer to the additional accessories document on our site:

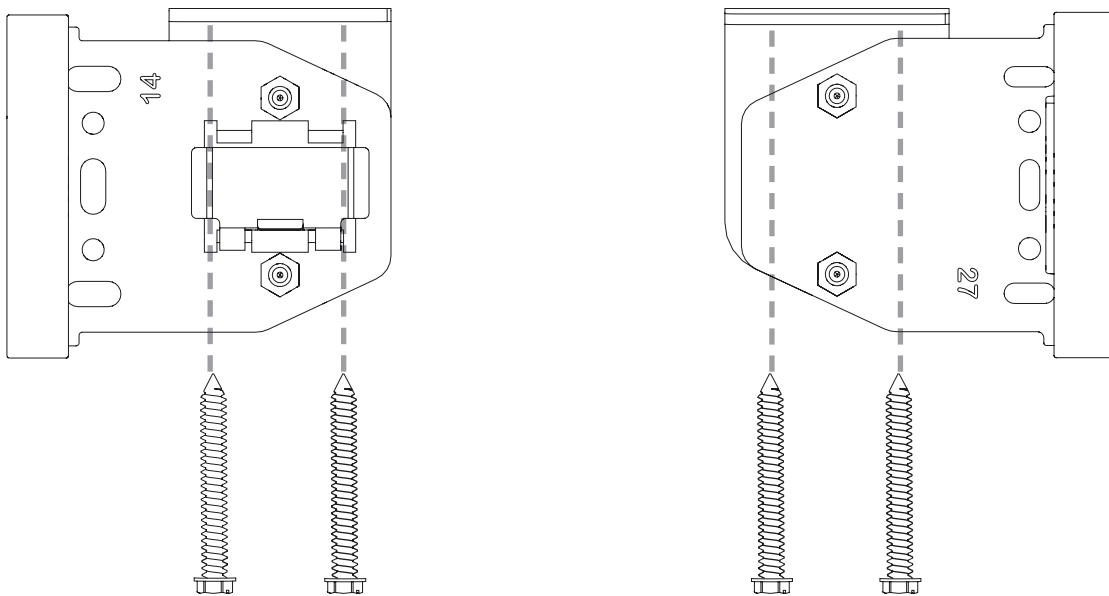
# INSTALLATION - 120 VAC - SDN (375 / 475 SERIES)

Before installing the shades, verify whether the shade was ordered as standard roll or reverse roll. Though illustrations in this manual show standard roll shades, the installation for reverse roll shades is the same.

## 1. Terminate pre-wire with terminal block

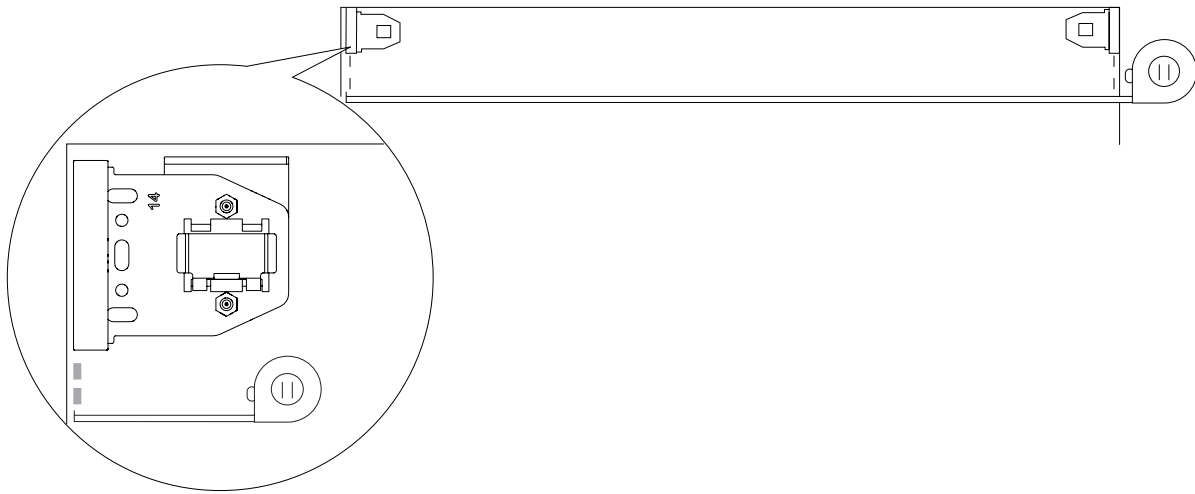


## 2. Install wall bracket/end cap assembly with the supplied screws

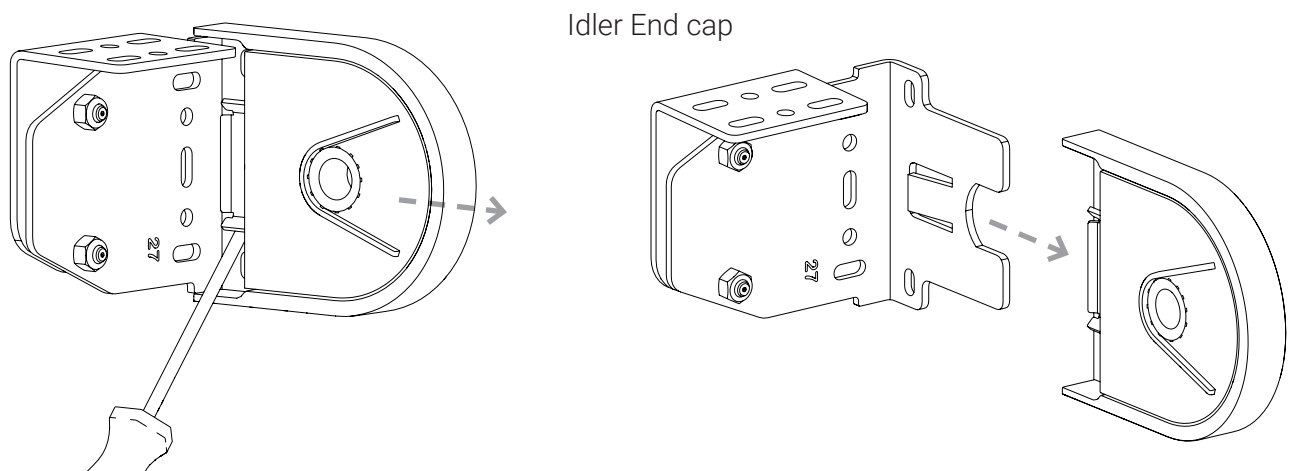
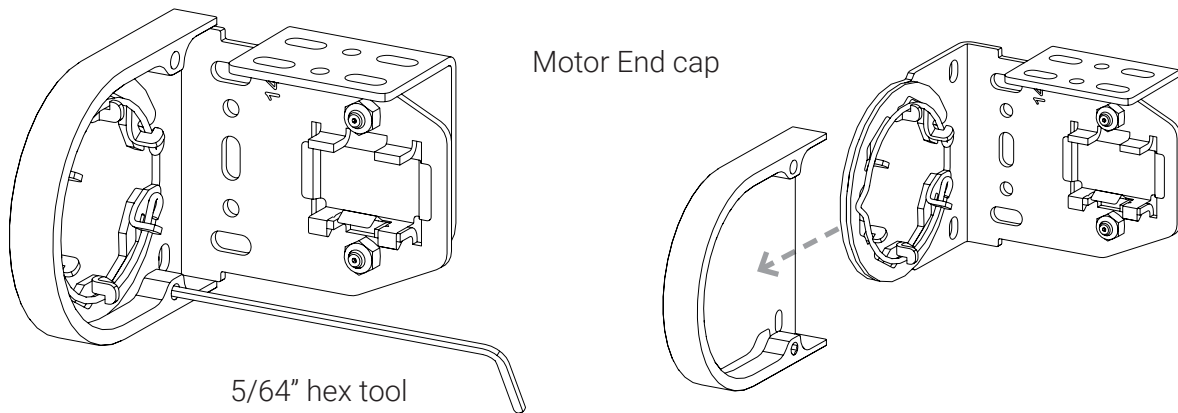


# INSTALLATION - 120 VAC - SDN (375 / 475 SERIES)

3. Measure bracket to bracket width and verify it matches the ordered width. Adjust accordingly.

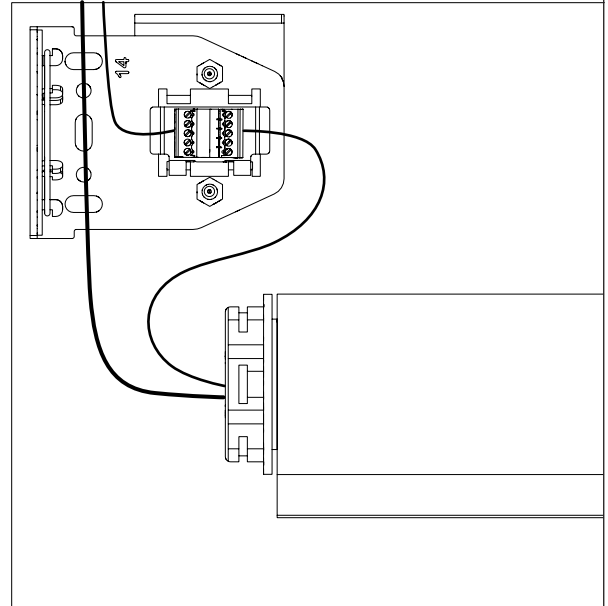
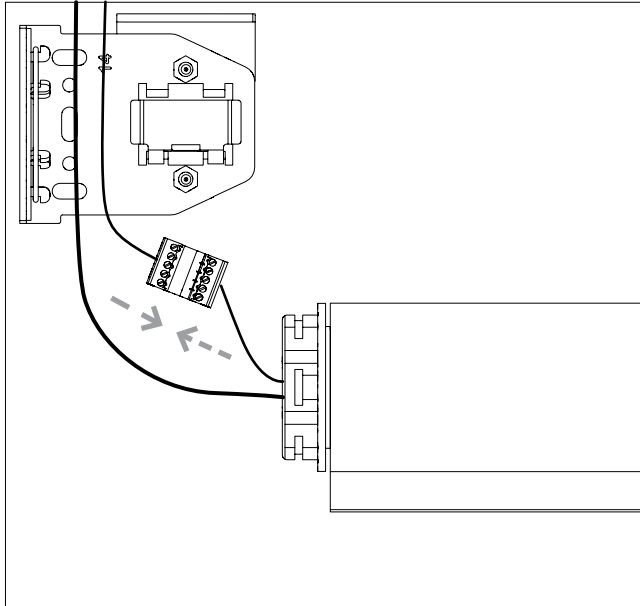


4. Remove both end caps

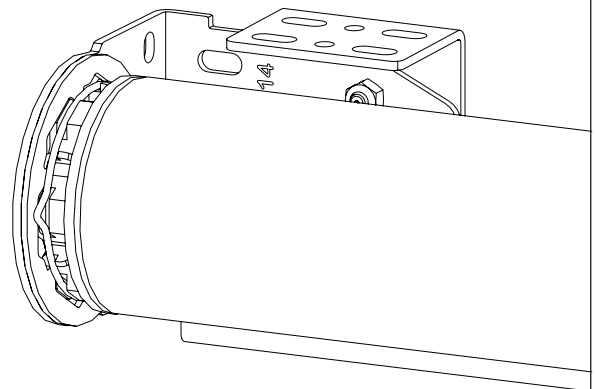
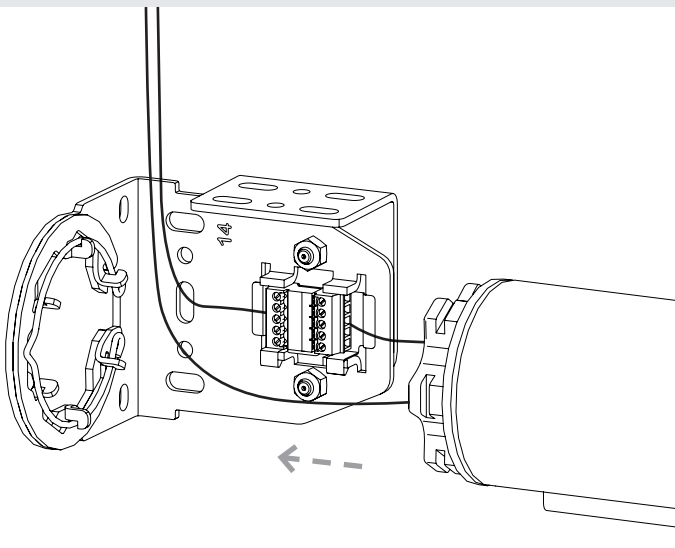


# INSTALLATION - 120 VAC - SDN (375 / 475 SERIES)

5. Connect shade and pre-wire, snap connector into spring clip.

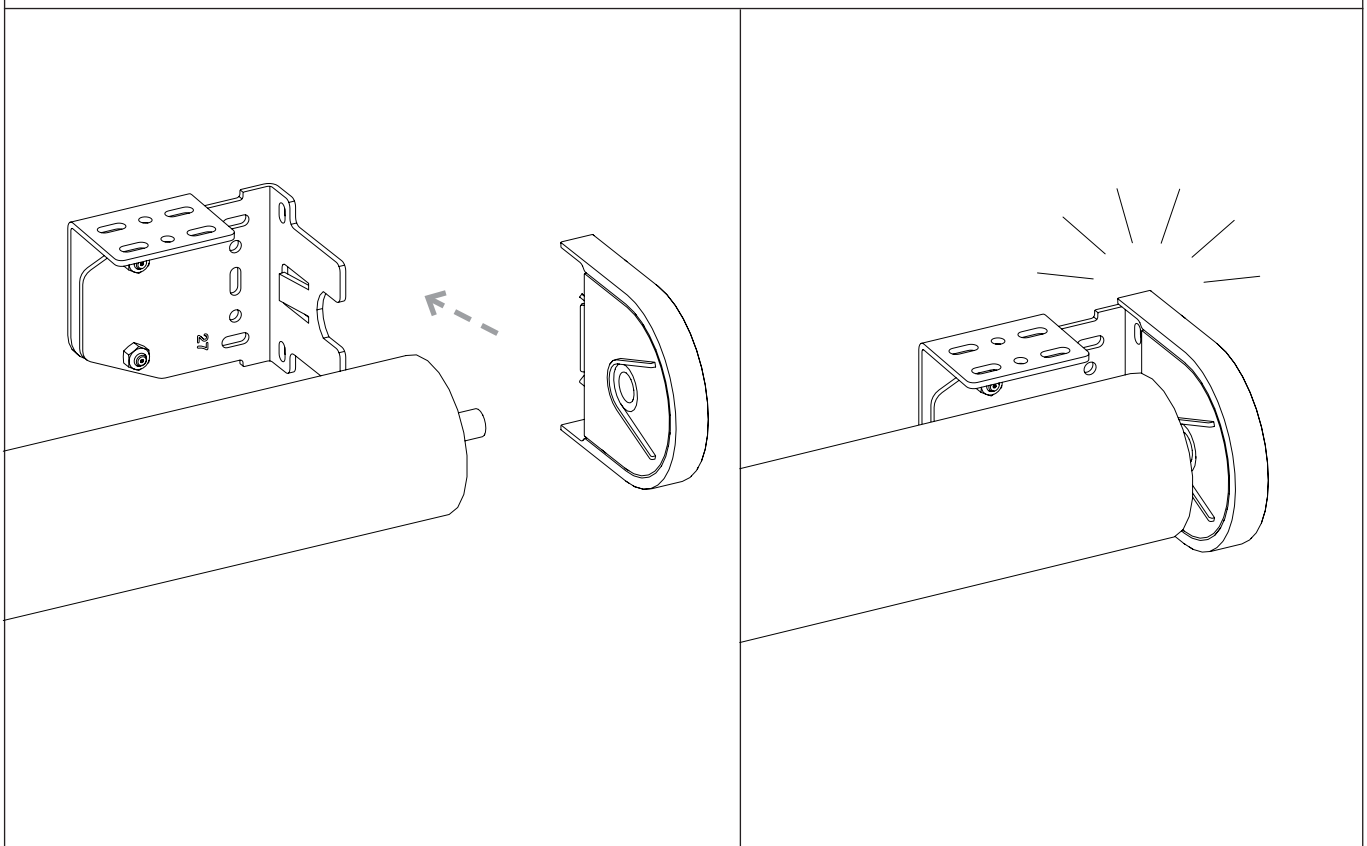
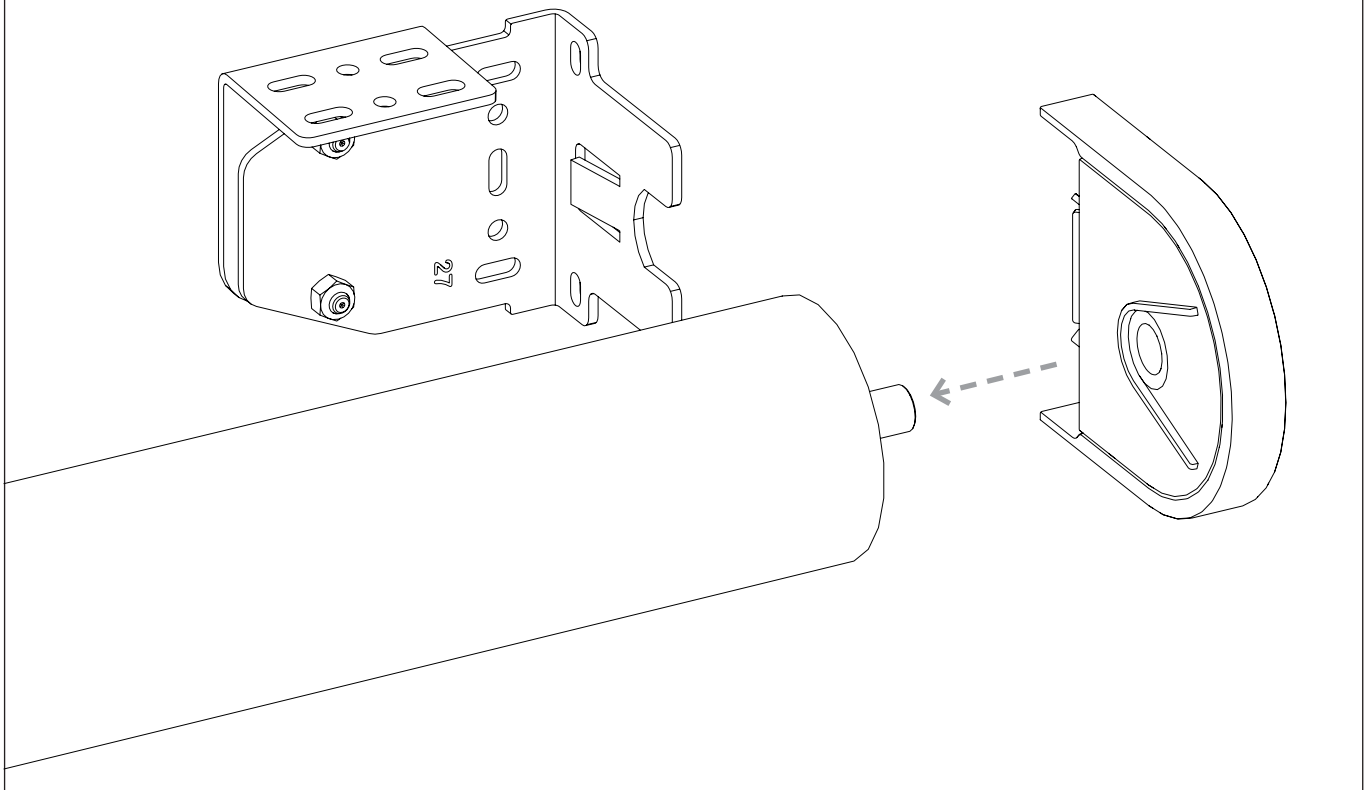


6. Align and fasten motor side.



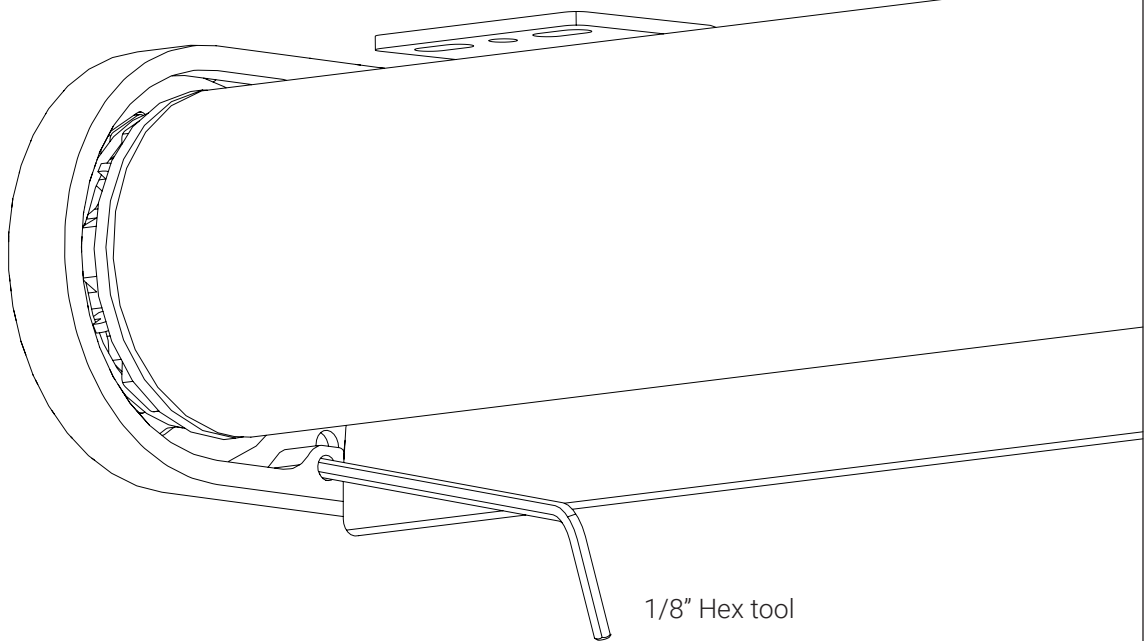
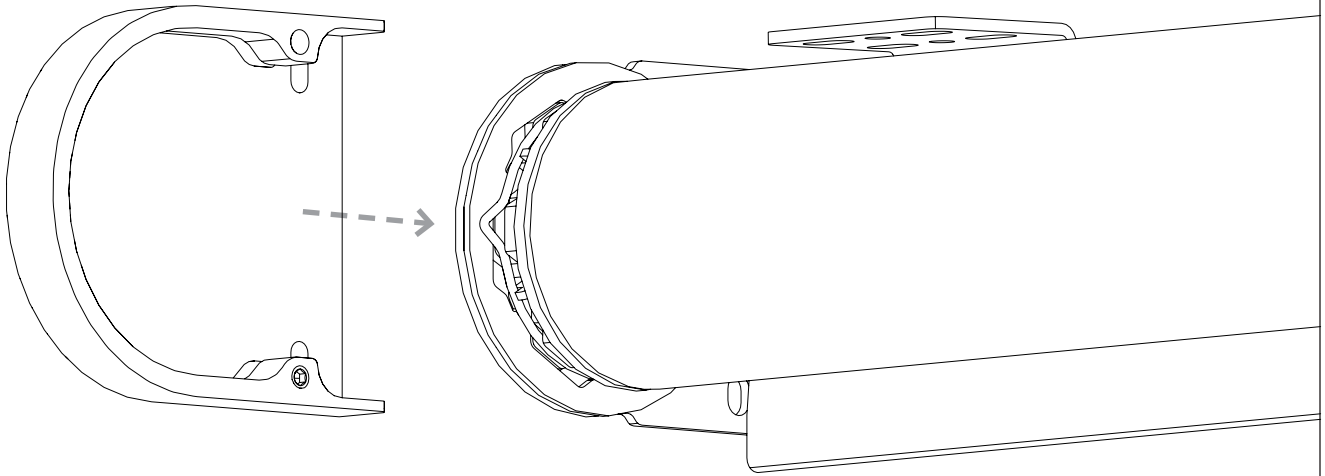
# INSTALLATION - 120 VAC - SDN (375 / 475 SERIES)

7. Then put idler end cap over idler and snap into place.



# INSTALLATION - 120 VAC - SDN (375 / 475 SERIES)

8. Replace and fasten motor end cap

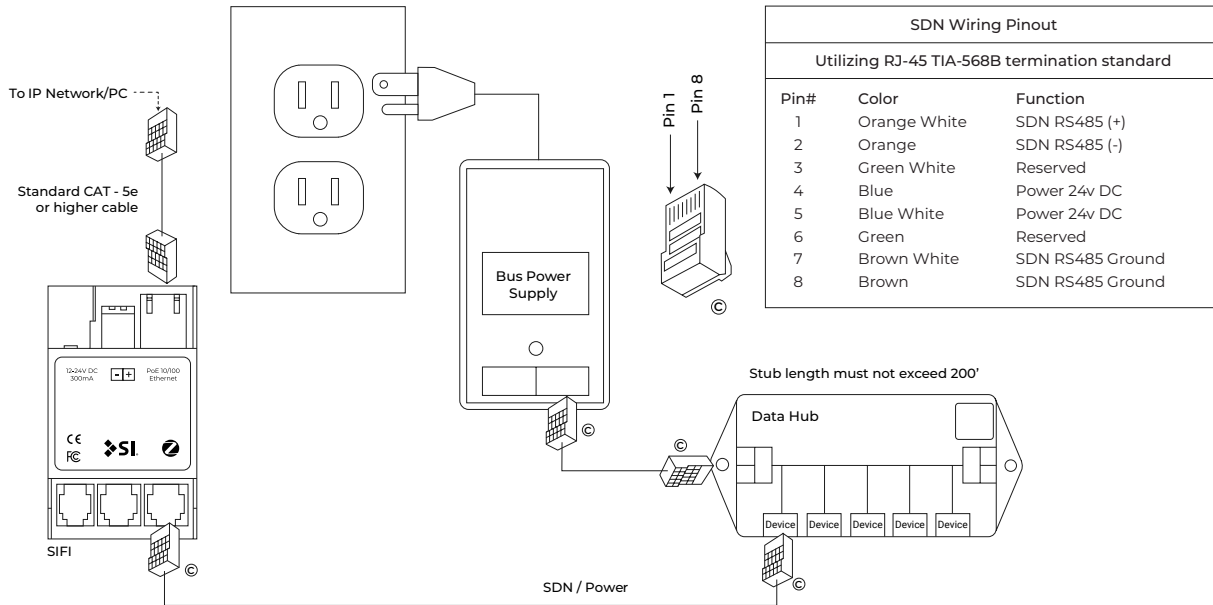




# PROGRAMMING SDN

SDN shades are programmed using the Screen Innovations SIFI via the web interface. This programming can be done with a Windows or Mac computer either over LAN or wired directly to SIFI. The following instructions are for a Windows computer, but the steps for programming on a Mac are very similar. For a complete guide to program SIFI on a Mac, please visit our website. Before attempting to program any motors with SIFI, verify that the firmware is up to date. To adjust the lower limit of an SDN shade, follow the steps below.

Connect SIFI as shown below.



1. Launch Windows File Explorer
2. Click on the "Network" tab
3. Double click on the SIFI, the default web browser will launch
4. At the landing page, click the three lines in the top right corner, then click "Settings"
5. Select the "SDN" tab on the top left
6. Press the spyglass to auto discover motors on the SDN network (may have to press it more than once)
7. Click on the motor you want to program
8. Name the motor
9. Right click on the down limit count
10. Move the shade up or down using the buttons in the popup window
11. Click in the open space to the right to confirm the limit
12. Operate the shade up and then back down to verify the position of the limit

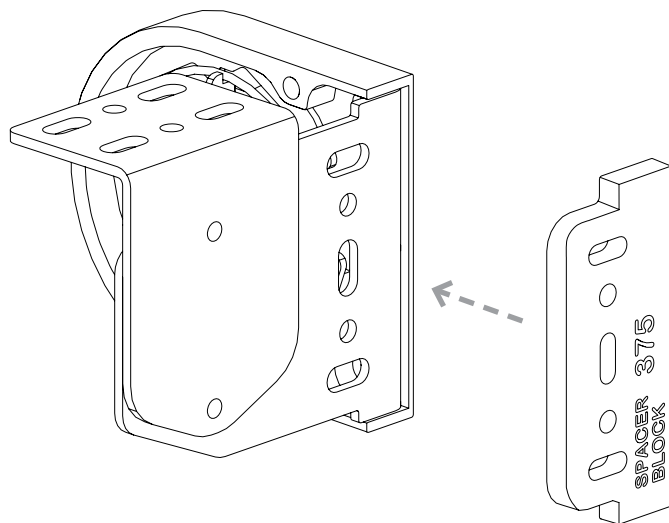
# TROUBLESHOOTING

Tech Support: 512.832.6939

Problem	Possible Cause	Action to Take
Shade won't operate.	Motor is not powered.	Ensure that 24V hardwired motors have at least 20VDC and that the polarity is correct.
	Incorrect or poor cable termination.	Check the wire pinouts and termination. Look for broken, loose, or damaged wires. Rerterminate if necessary.
	SIFI is not powered.	Check that the green LED on SIFI is flashing. If not, make sure power is available via the bus power supply or PoE (with expansion card only).
	SIFI is not on the local network.	Use the service keypad (if available) to validate the SDN network and motors are operating properly before troubleshooting SIFI network problems. Check that the SIFI is communicating on the local network. Ping the device via the windows command prompt, or make sure the device shows up in the network tab of the Windows File Explorer.
<p><b>Technical Support:</b> 512.832.6939   <a href="http://screeninnovations.com">screeninnovations.com</a> <b>Hours of Support:</b> 7:30am - 5pm CST   <a href="mailto:support@screeninnovations.com">support@screeninnovations.com</a></p>		

## SPACER BLOCKS AND LEVELING SHIMS (OPTIONAL)

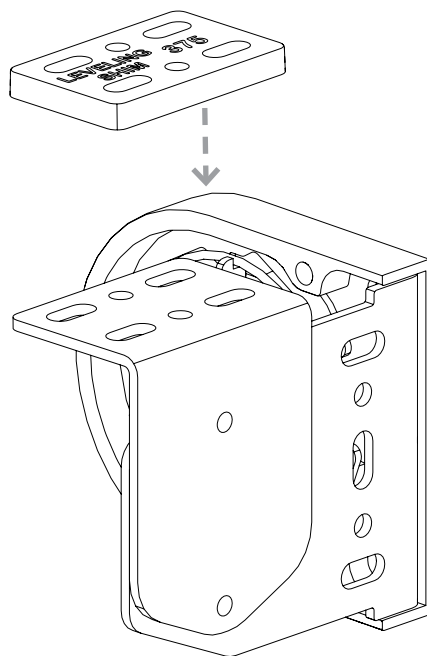
**Spacer Blocks** - used to clear an obstruction in the fabric path.



Connect spacer blocks to shade brackets before installation.

Note: Do not use more than 4 spacer blocks per bracket.

**Leveling Shims** - used if the window frame is out of level.



Connect to shade brackets before installation

Note: do not use more than 2 spacer blocks per bracket.



**Screen Innovations**

9715-B Burnet Rd, Suite 400 Austin, TX 78758

512.832.6939

[www.screeninnovations.com](http://www.screeninnovations.com)