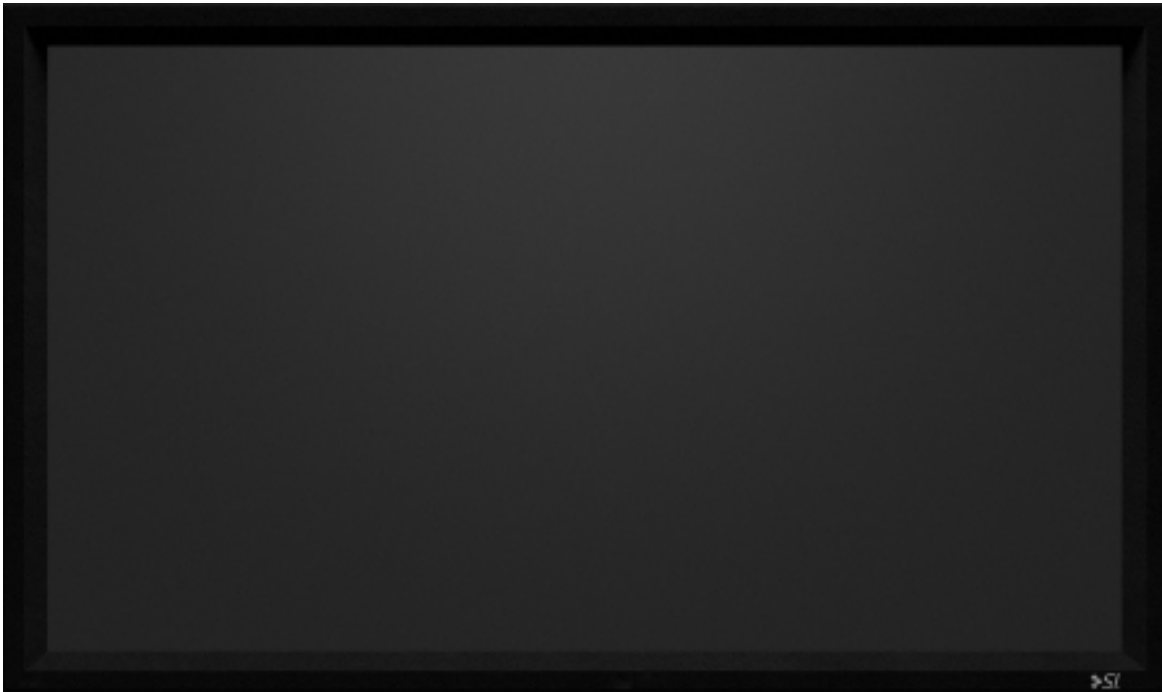




7 SERIES FIXED



Owner's Manual



**INSTALLERS: PLEASE BE SURE TO LEAVE THIS
MANUAL WITH THE OWNER. THANK YOU!**

APPLY S/N
STICKER HERE



LIMITED ONE YEAR WARRANTY ON SCREEN INNOVATIONS PRODUCTS

Screen Innovations warrants its products, to the original purchaser only, to be free from defects in materials and workmanship for a period of one (1) year from the date of purchase by the original purchaser provided they are properly operated according to Screen Innovations' instructions and are not damaged due to improper handling or treatment after shipment from the factory.

This warranty does not apply to equipment showing evidence of misuse, abuse, or accidental damage, or which has been tampered with or repaired by a person other than authorized Screen Innovations personnel.

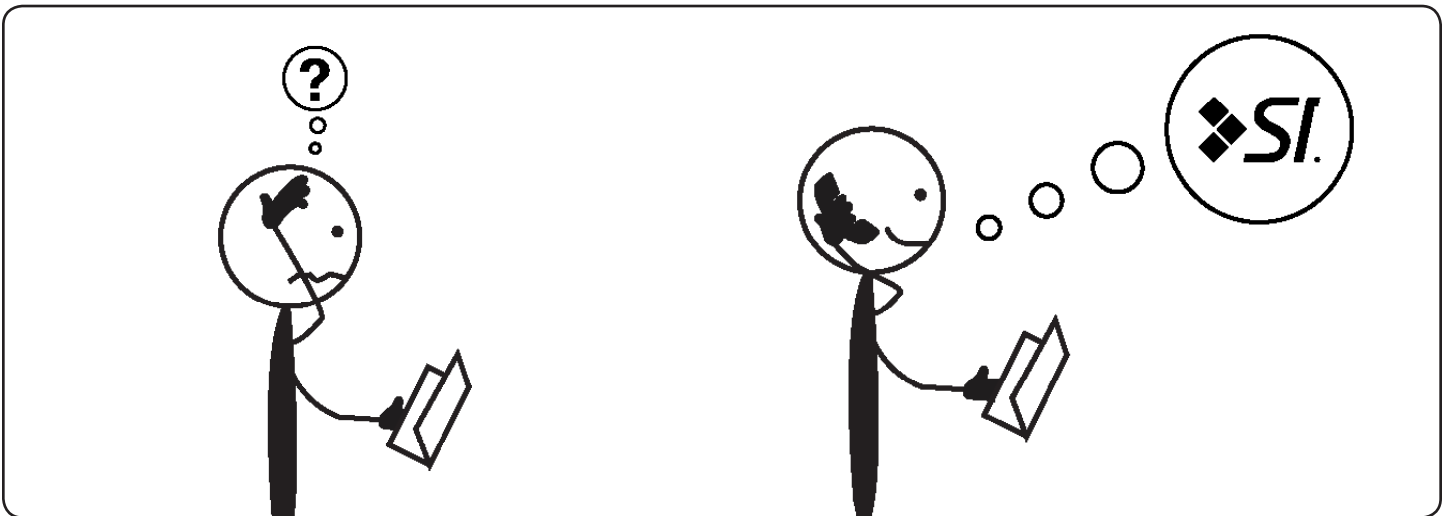
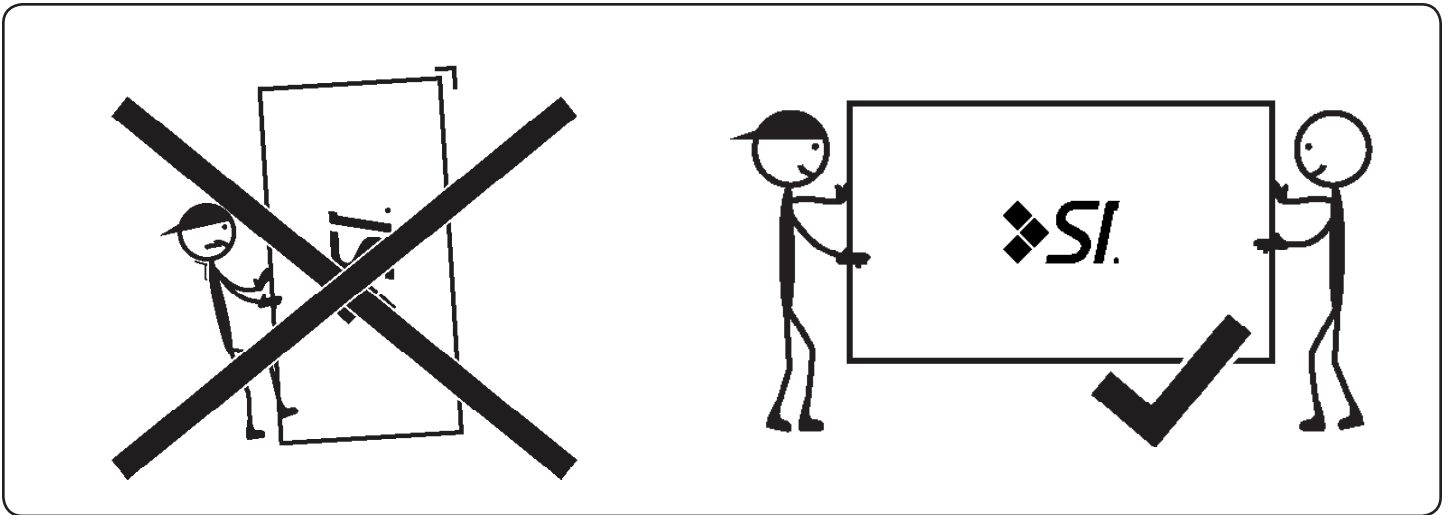
Screen Innovations' sole obligation under this warranty shall be to repair or to replace (at Screen Innovations' option) the defective part of the merchandise. Returns for service should be made to your Screen Innovations' dealer. If it is necessary for the dealer to return the screen or part to Screen Innovations, transportation expenses to and from Screen Innovations are payable by the purchaser and Screen Innovations is not responsible for damage in shipment. To protect yourself against damage or loss in transit, insure the product and prepay all transportation expenses.

THIS WARRANTY IS IN LIEU OF ALL OTHER WARRANTIES, EXPRESS OR IMPLIED, INCLUDING WARRANTIES AS TO FITNESS FOR USE AND MERCHANT ABILITY. Any implied warranties of fitness for use, or merchantability, that may be mandated by statute or rule of law are limited to the one (1) year warranty period. This warranty gives you specific legal rights, and you may also have other rights, which vary from state-to-state. NO LIABILITY IS ASSUMED FOR EXPENSES OR DAMAGES RESULTING FROM INTERRUPTION IN OPERATION OF EQUIPMENT, OR FOR INCIDENTAL, DIRECT, OR CONSEQUENTIAL DAMAGES OF ANY NATURE.

In the event that there is a defect in materials or workmanship of a Screen Innovations product, you may contact our Sales Partners at 9715-B Burnet Road Suite 400, Austin, TX 78758, (512) 832-6939.

IMPORTANT: THIS WARRANTY SHALL NOT BE VALID AND SCREEN INNOVATIONS SHALL NOT BE BOUND BY THIS WARRANTY IF THE PRODUCT IS NOT OPERATED IN ACCORDANCE WITH SCREEN INNOVATIONS' WRITTEN INSTRUCTIONS.

Keep your sales receipt to prove the date of purchase and your original ownership.

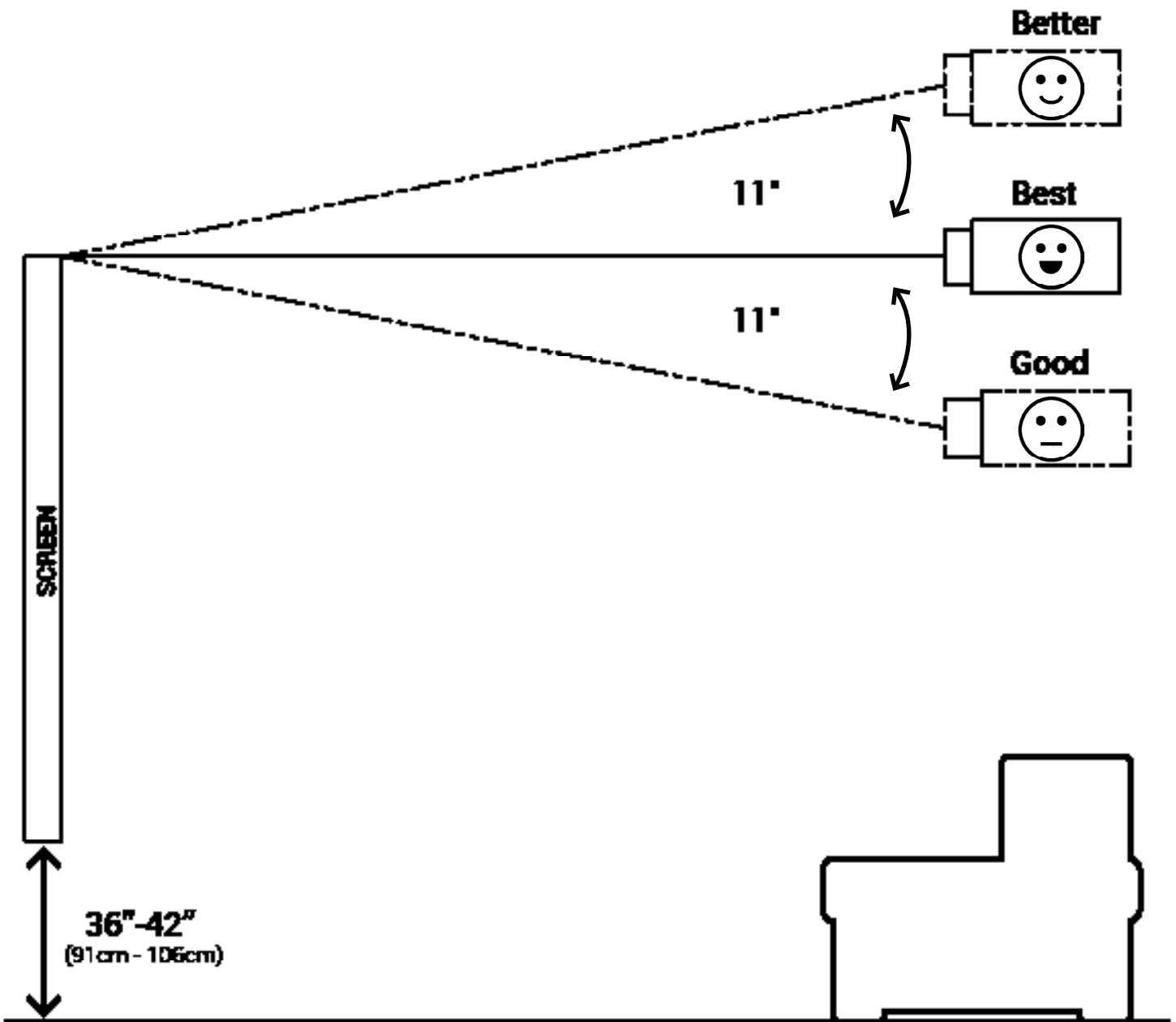


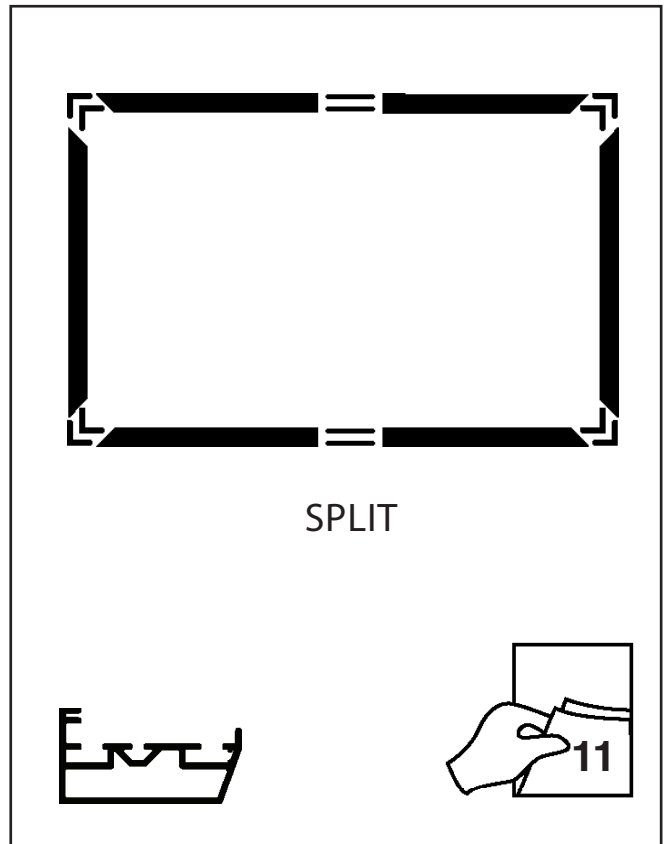
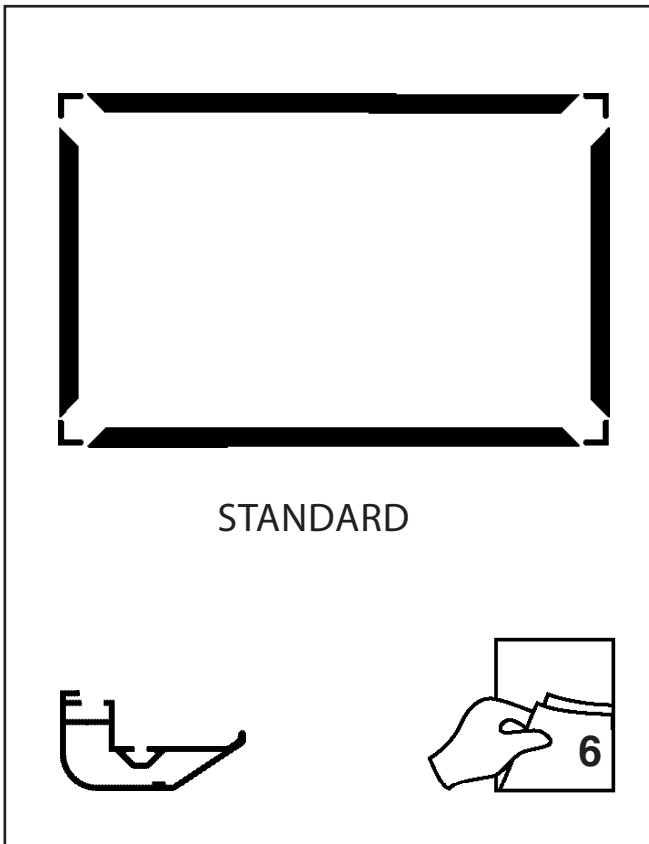
512-832-6939

9715-B Burnet Road Suite 400, Austin, TX 78758

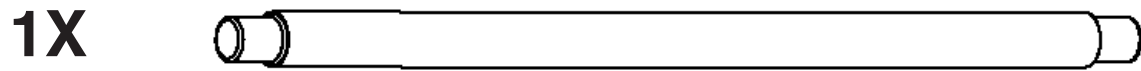
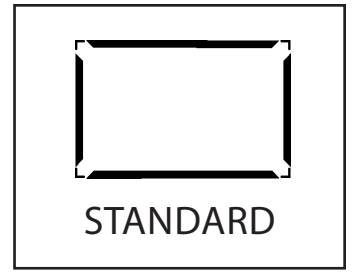
SCREENINNOVATIONS.COM

7 SERIES FIXED Projector Placement

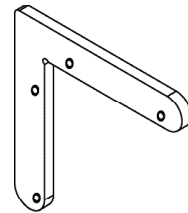
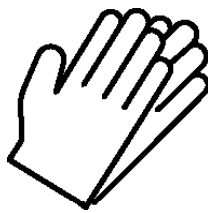
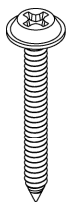
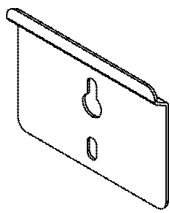




Frame Installation



Hardware Kit

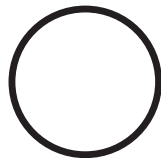


1X

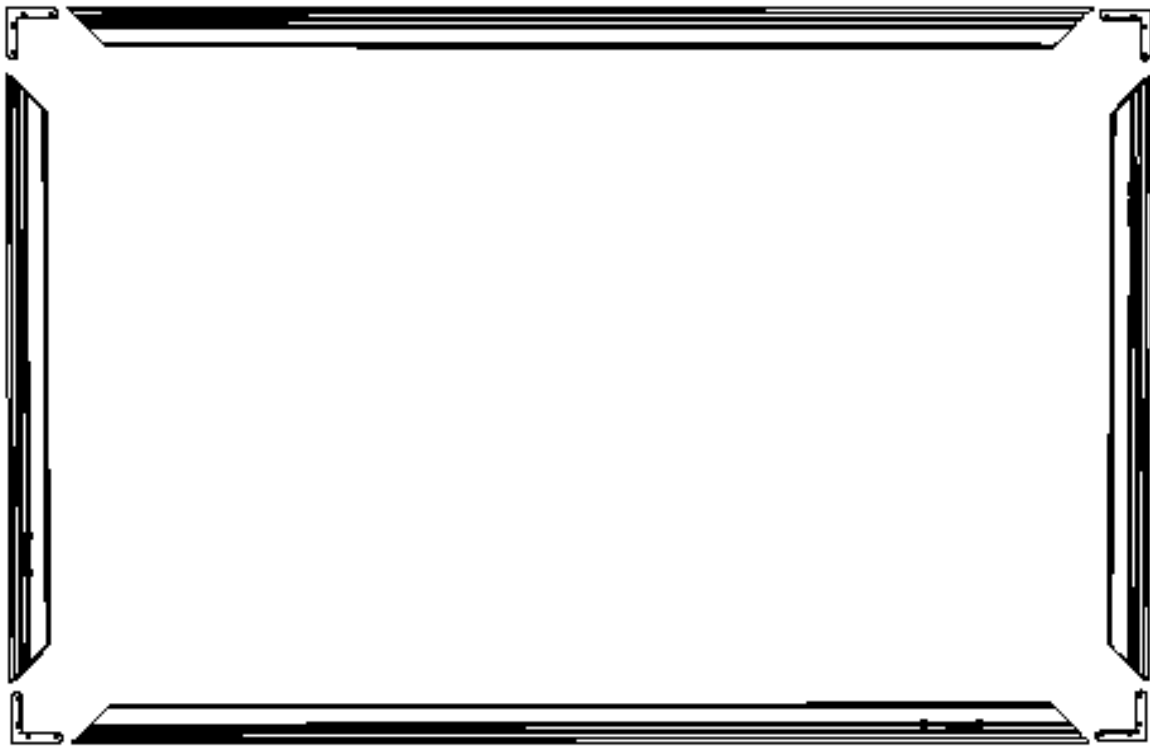
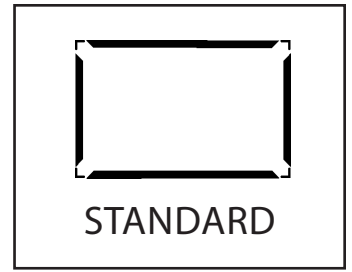
4X

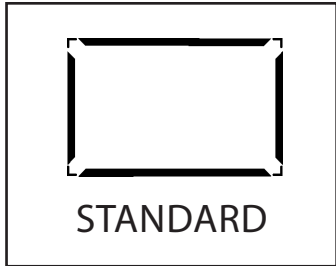


2X

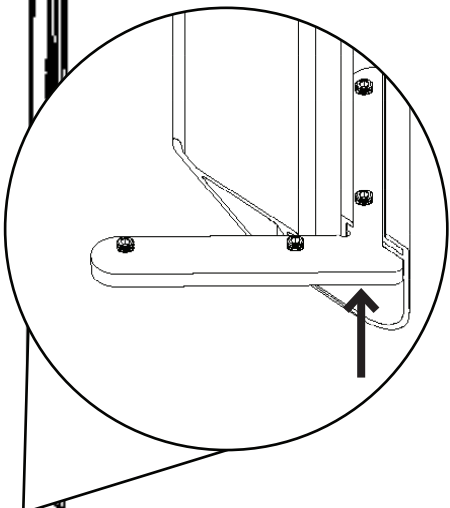


1X

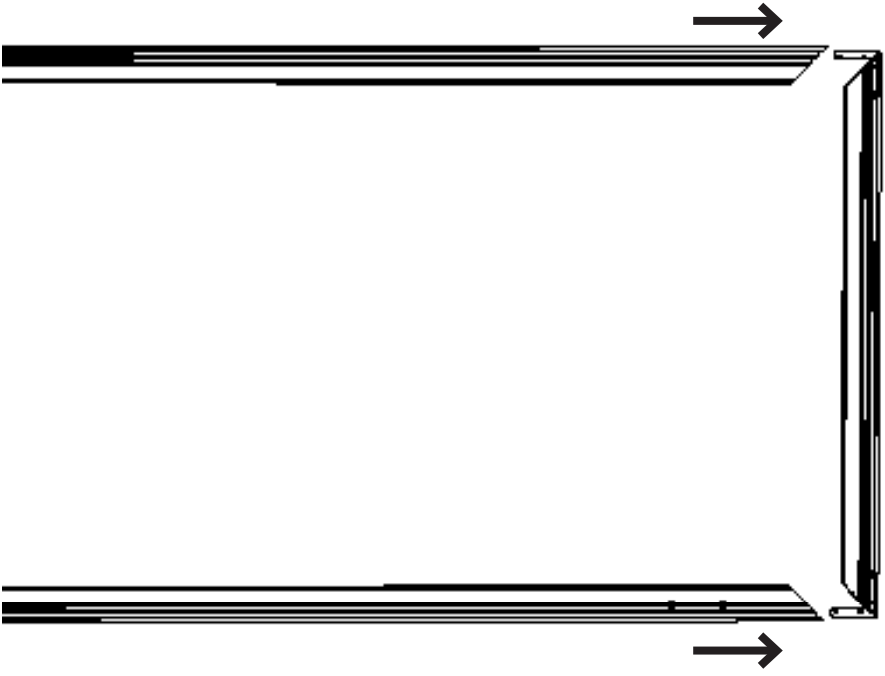




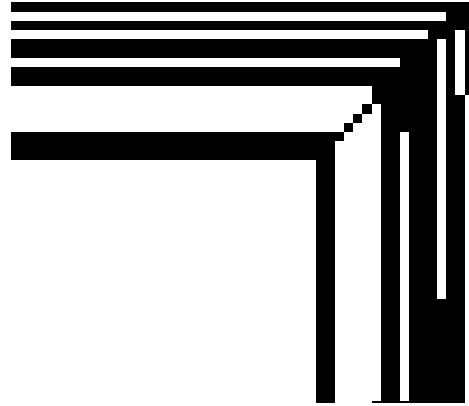
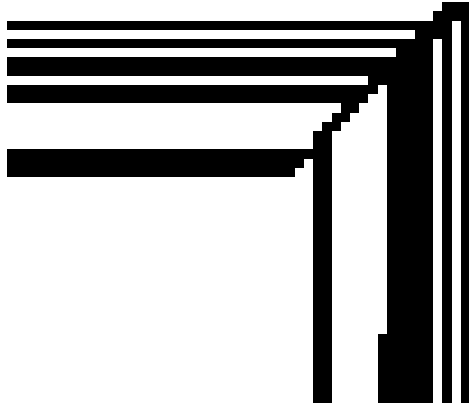
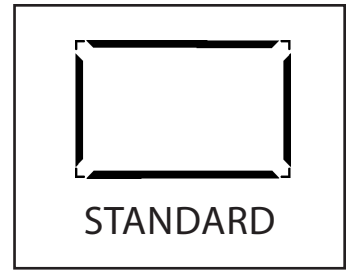
1



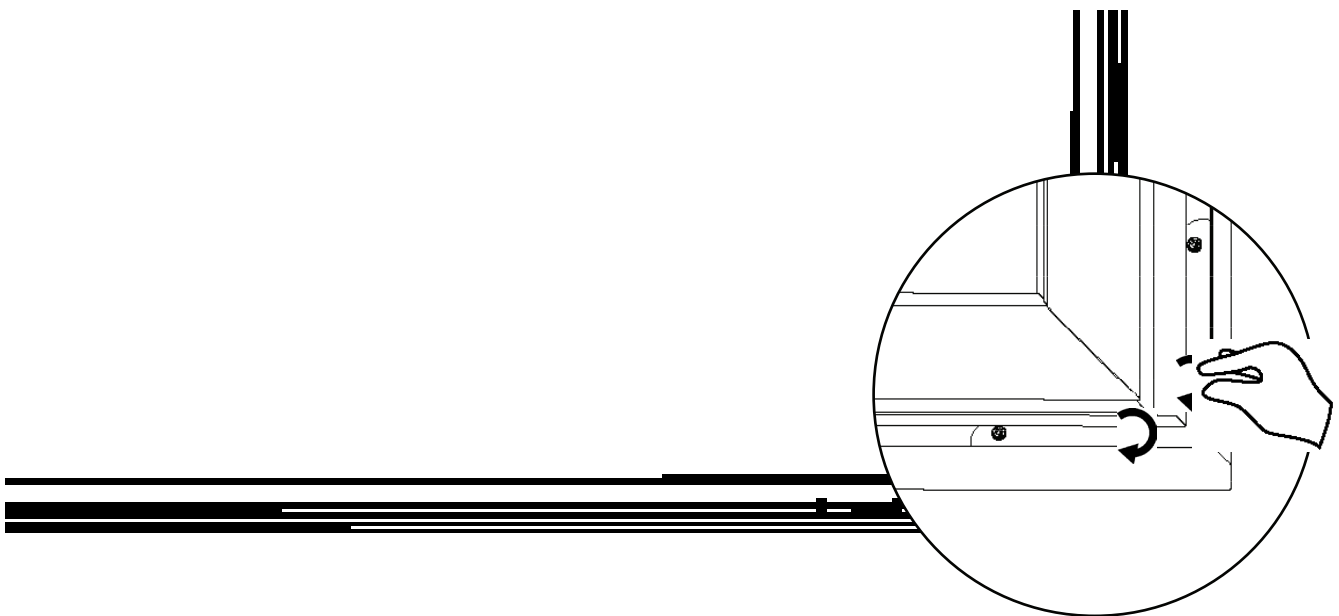
2



3

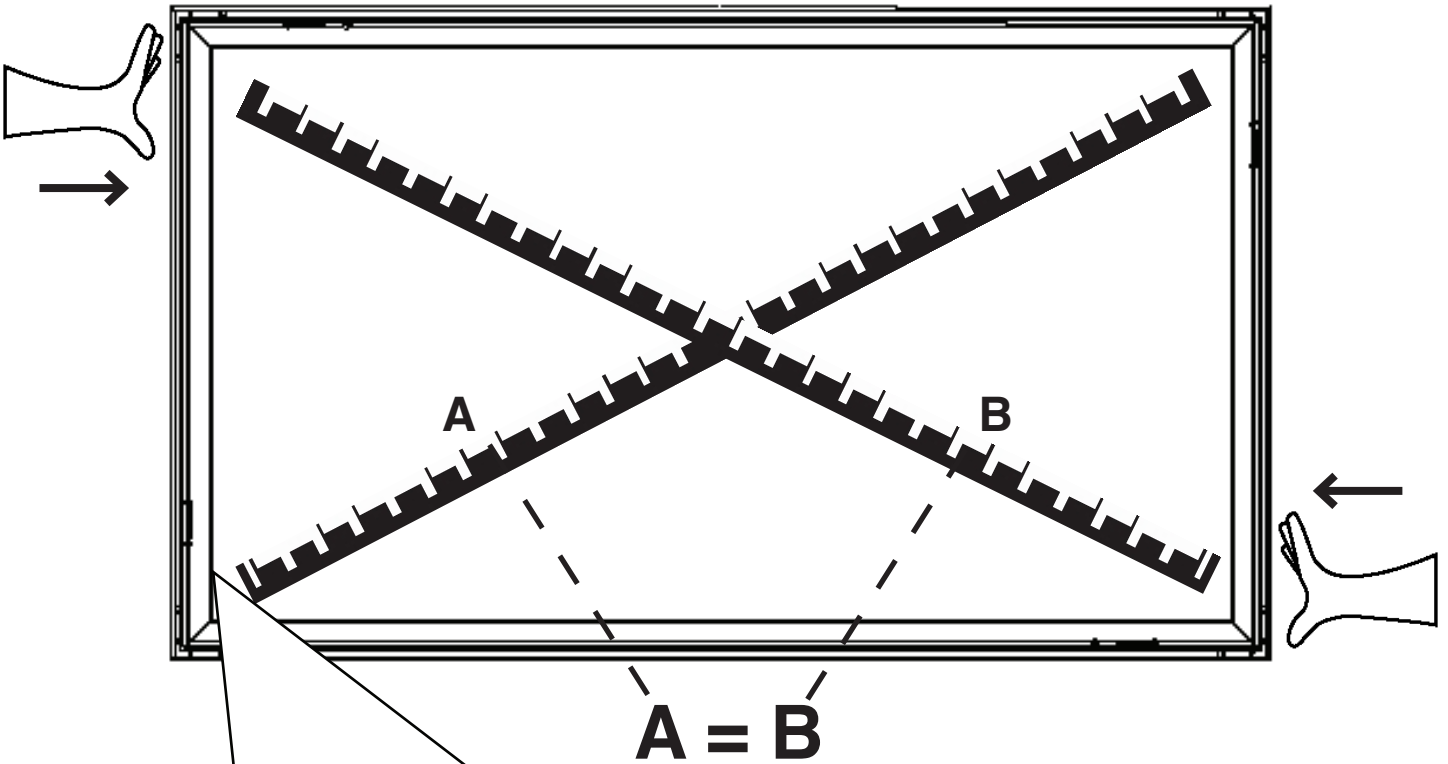
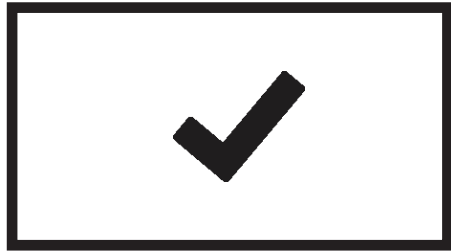
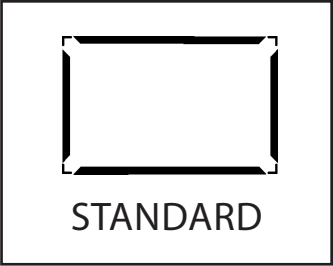


4

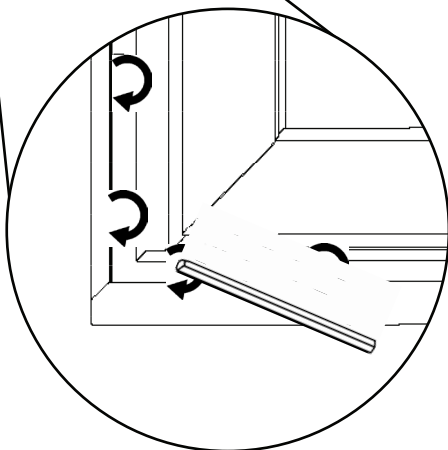


Finger tighten only at this point. Square the frame before final tightening of the set screws.

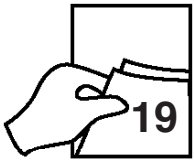
5



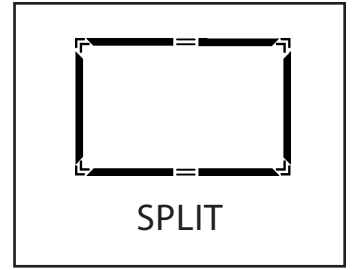
6



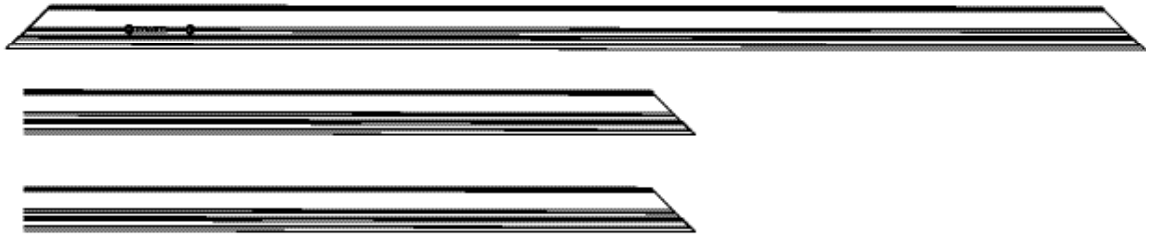
Tighten the set screws using the provided tool after squaring the frame. DO NOT use an impact or drill to tighten!! You will damage the frame.



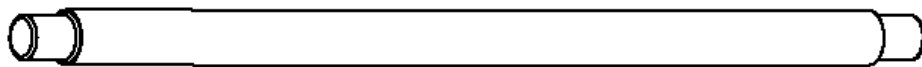
Frame Installation



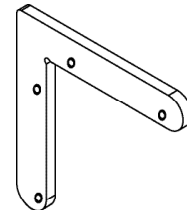
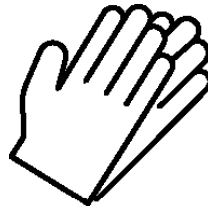
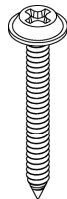
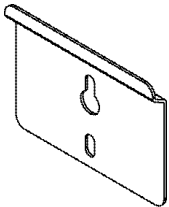
2X



1X

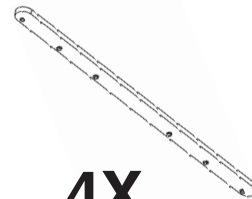
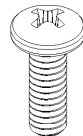
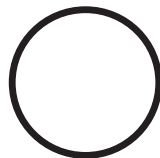


Hardware Kit



1X

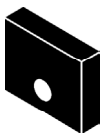
4X



2X

4X

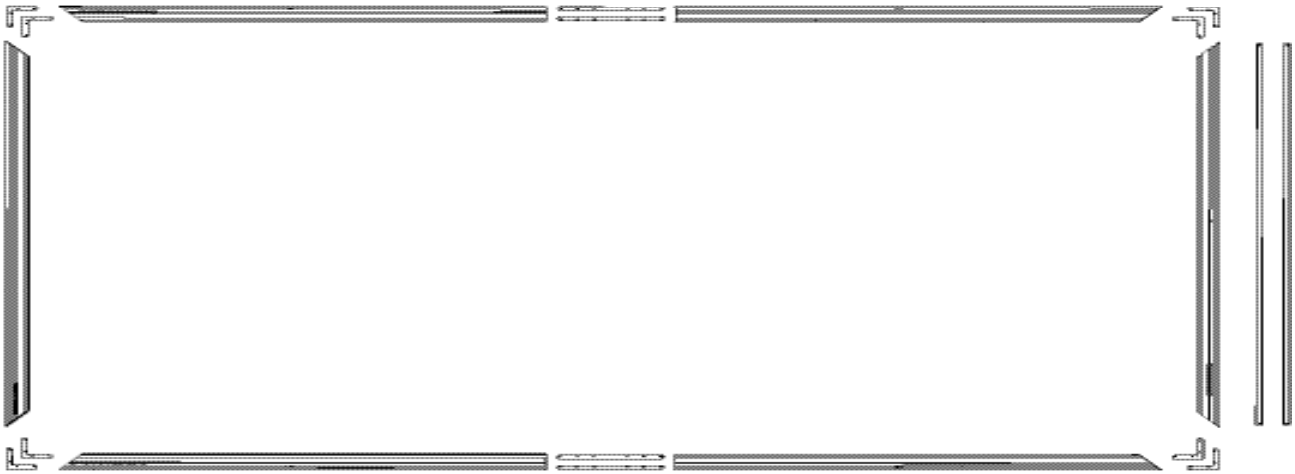
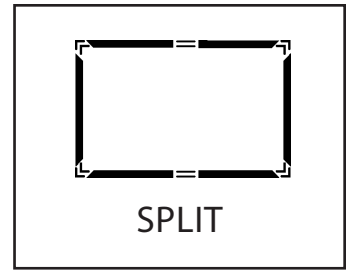
4X



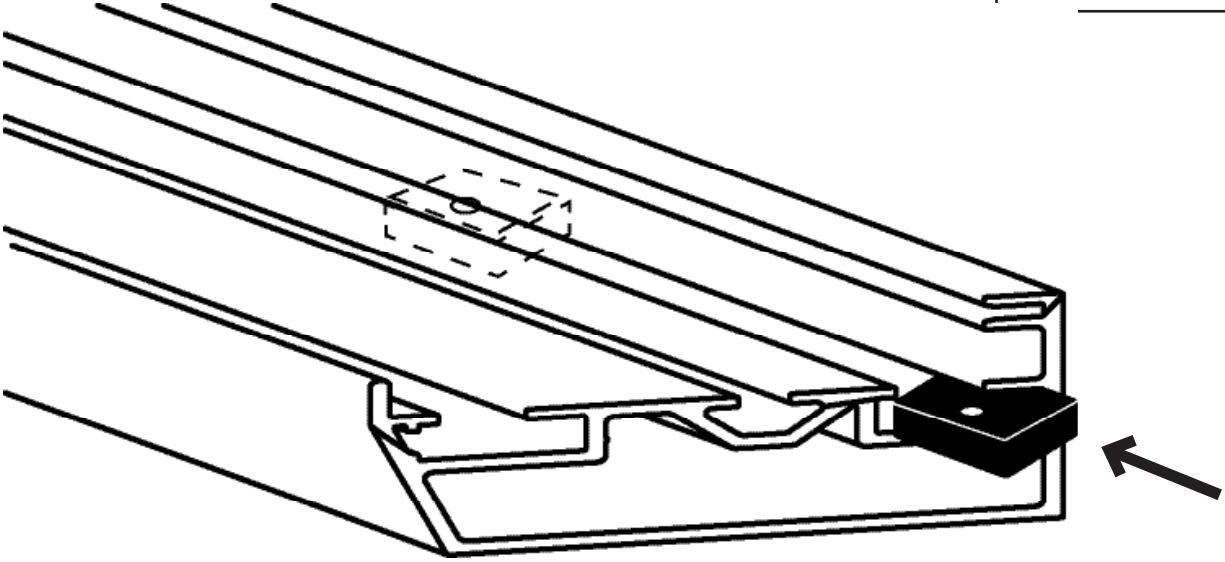
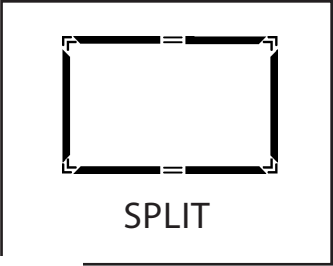
4X

1X

Larger screens are shipped with slot nuts, bolts, and vertical support bars. These must be installed on large, split frame screens, or wall brackets must be installed top and bottom.

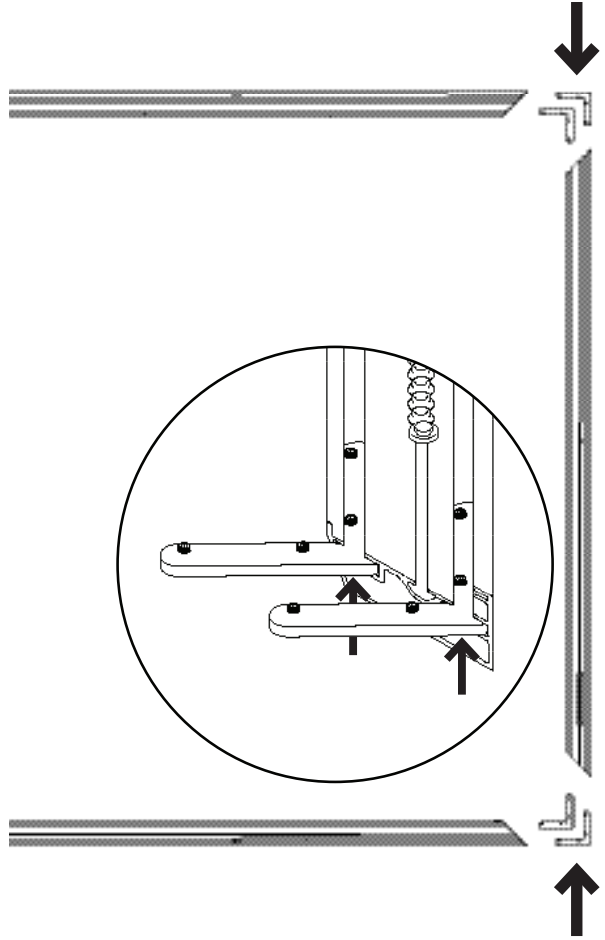


1

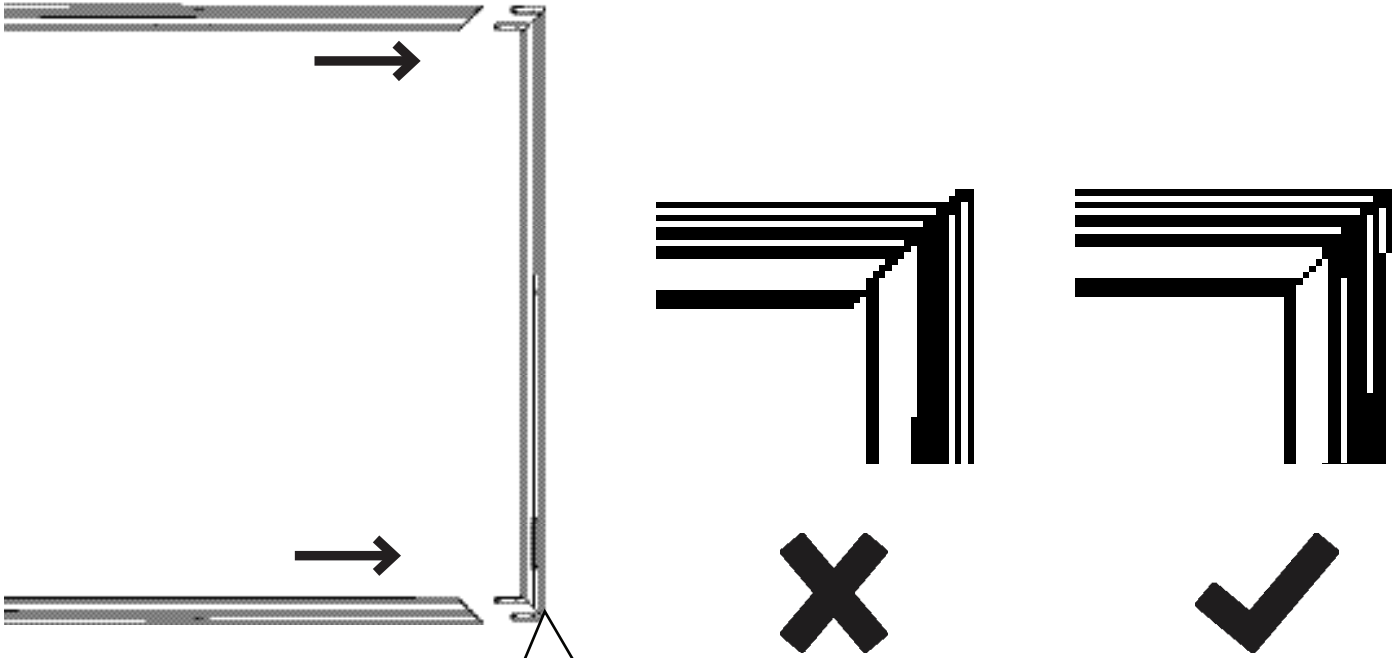
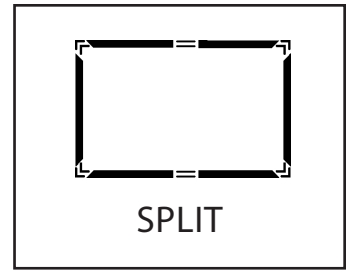


Install the t-slot nuts in the horizontal frame pieces before installing the corner brackets.

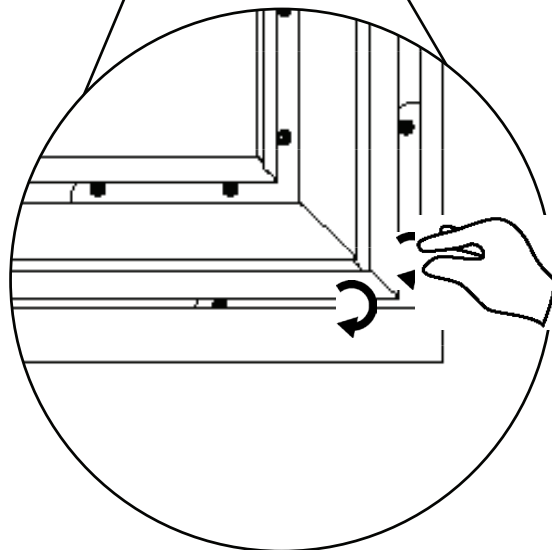
2



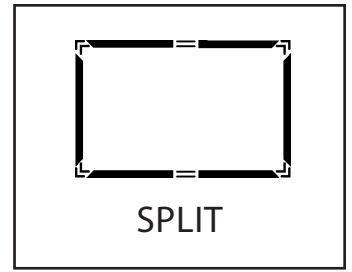
3



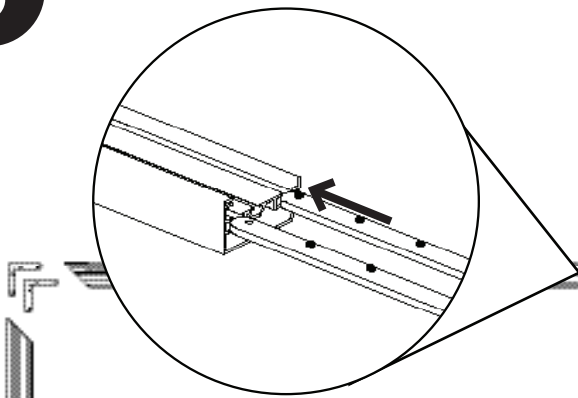
4



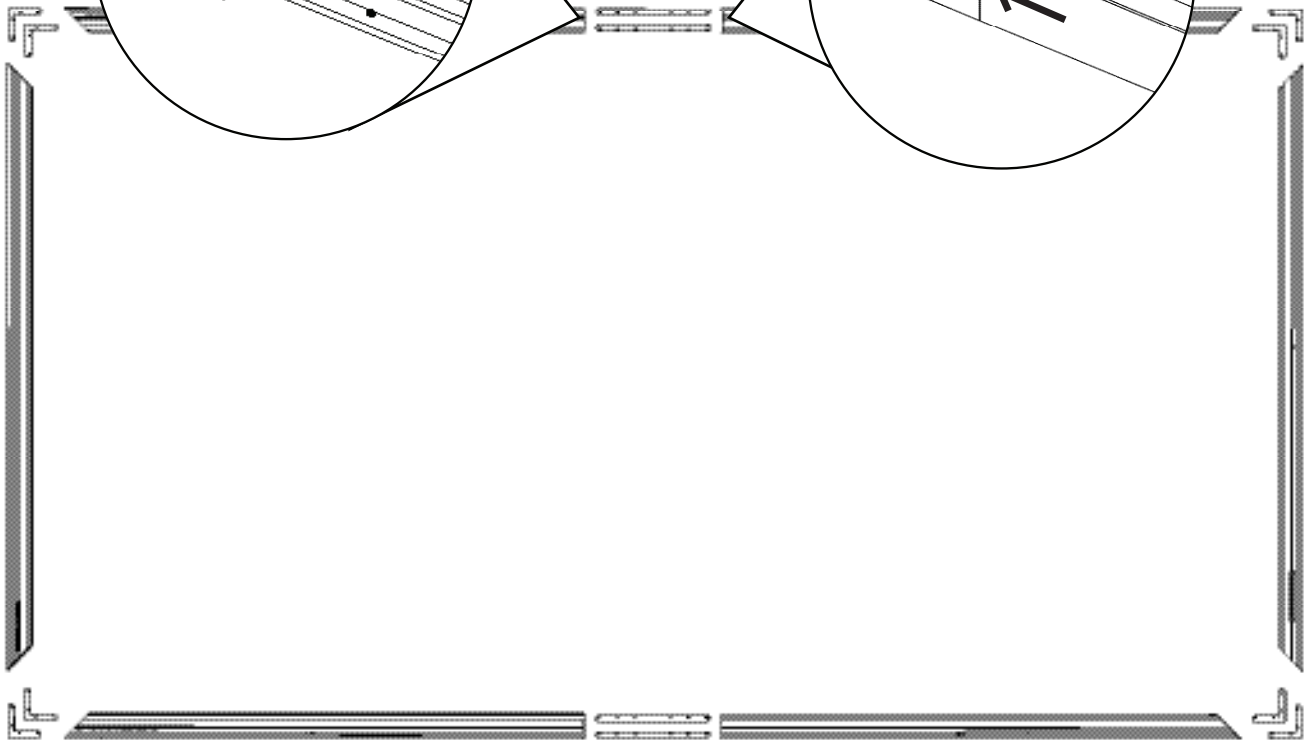
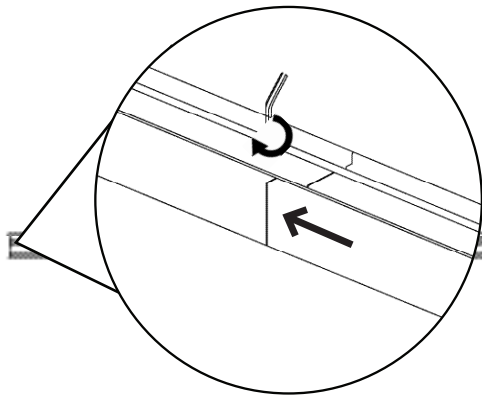
Finger tighten only at this point. Square the frame before final tightening of the set screws.



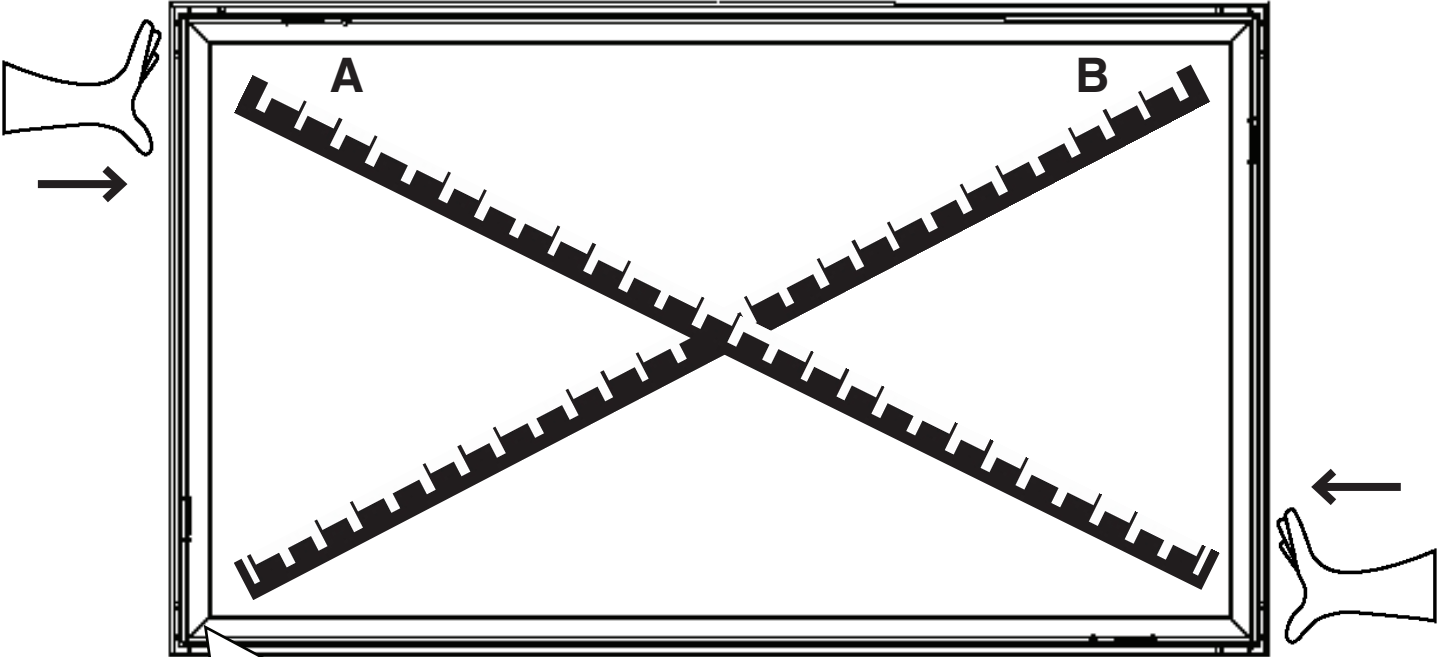
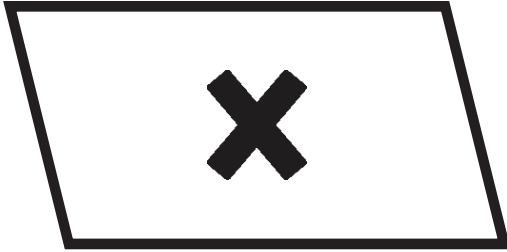
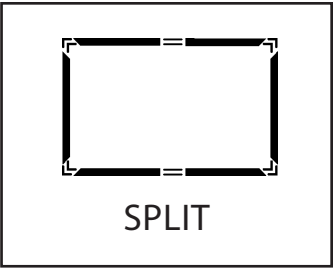
5



6

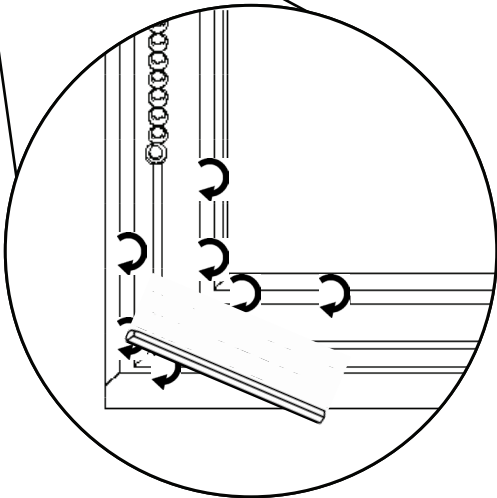


6

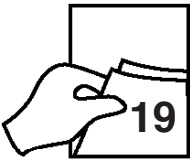


A = B

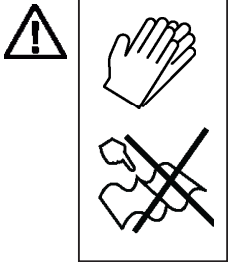
7



Tighten the set screws using the provided tool after squaring the frame. DO NOT use an impact or drill to tighten!! You will damage the frame.

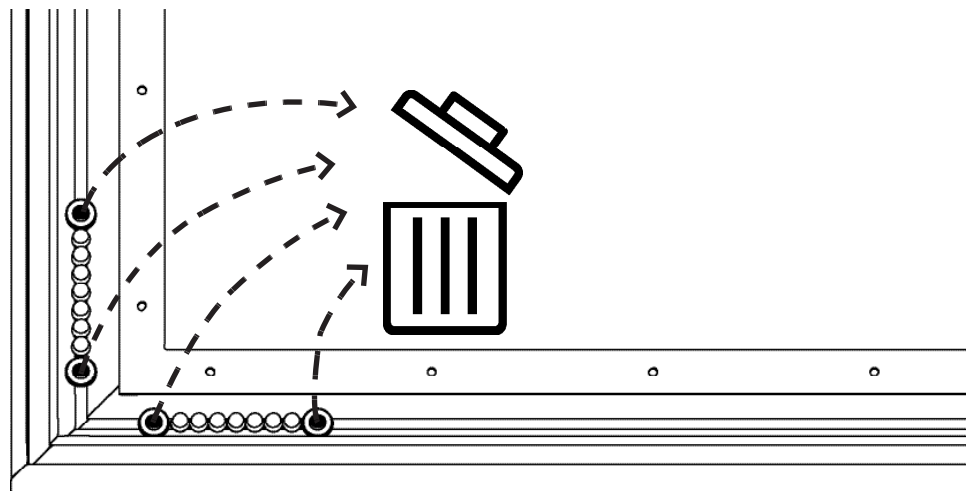


1

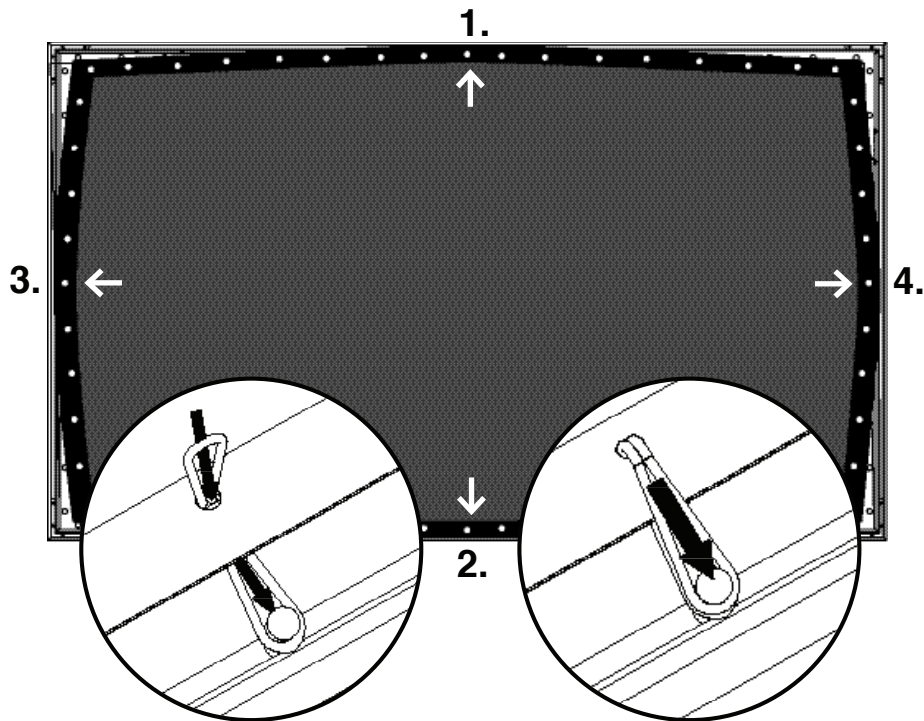


WHEN HANDLING AND UNROLLING THE BLACK DIAMOND MATERIAL DO NOT KINK IT! Once the material is kinked it is permanently damaged.

2

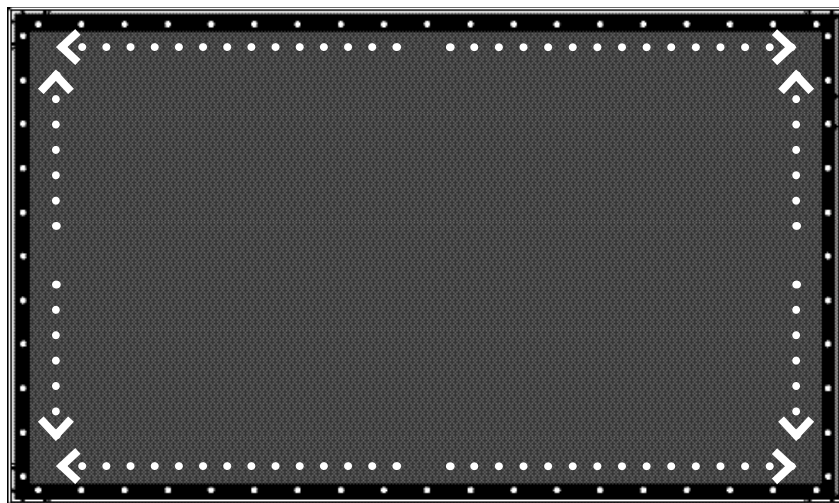


4

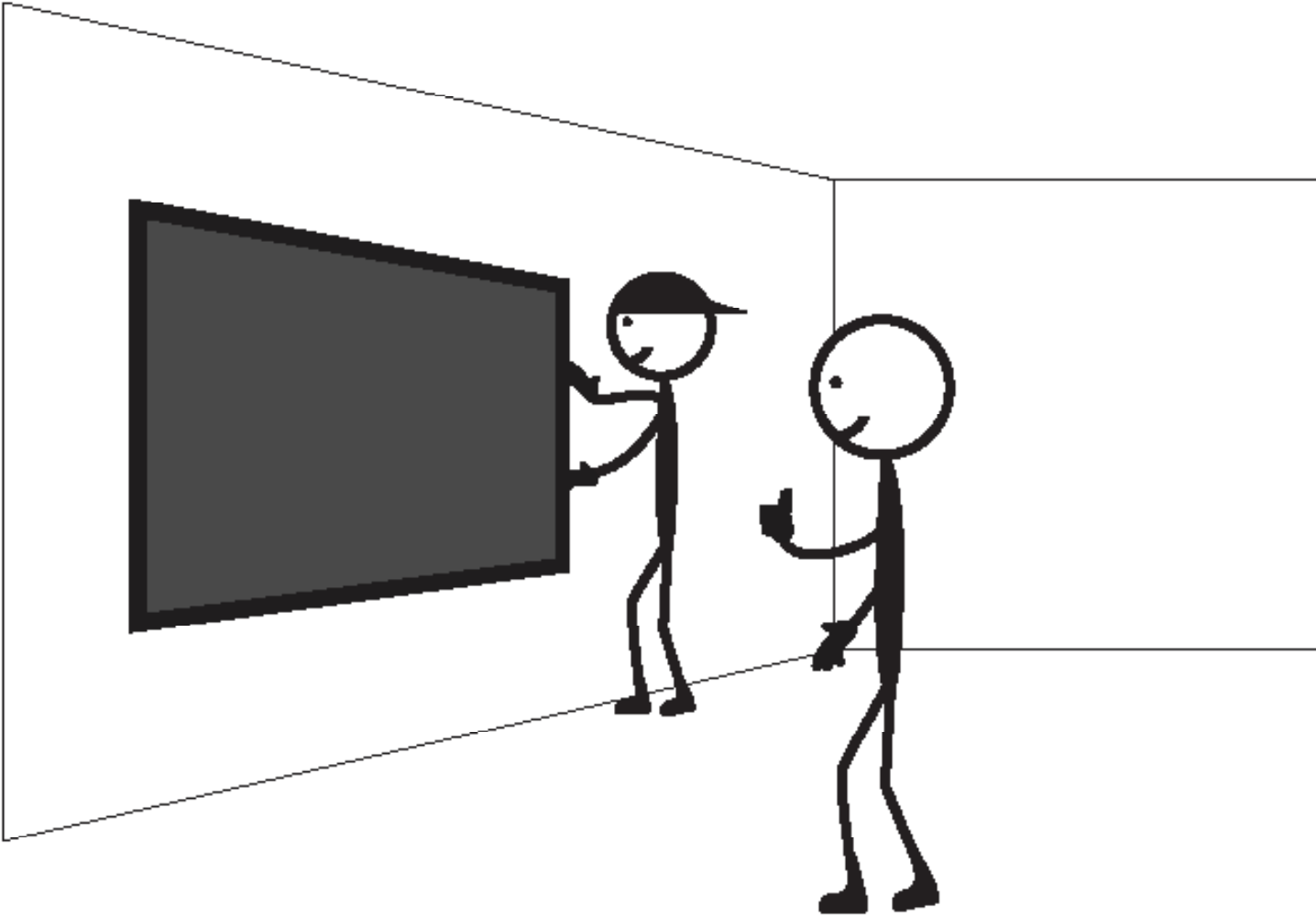


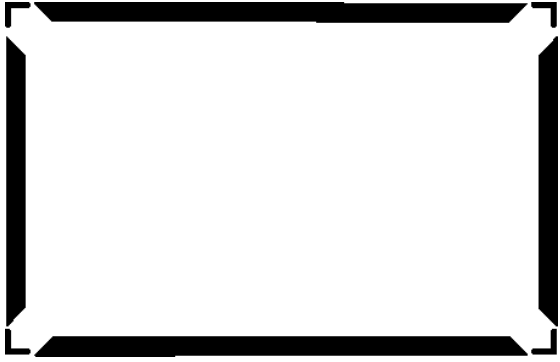
Starting in the middle of each horizontal and vertical, snap/bungee the middle of each side, then work your way outward, completing a side at a time.

5

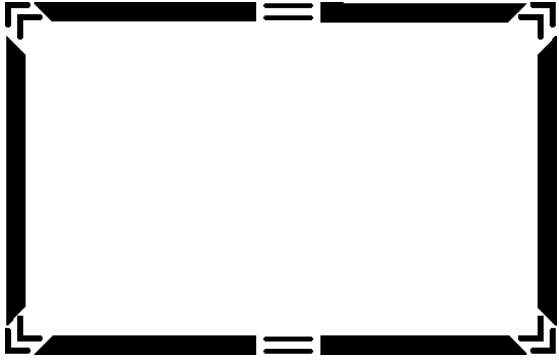


Screen Mounting





STANDARD

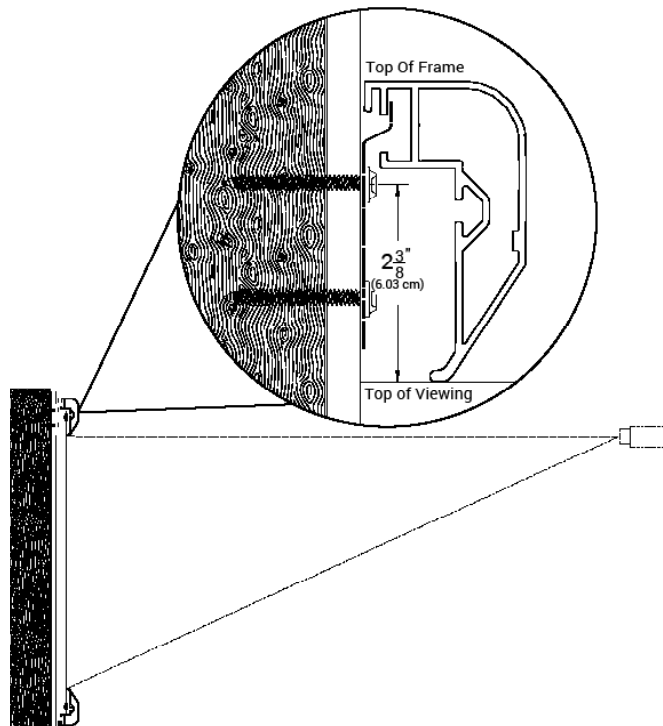
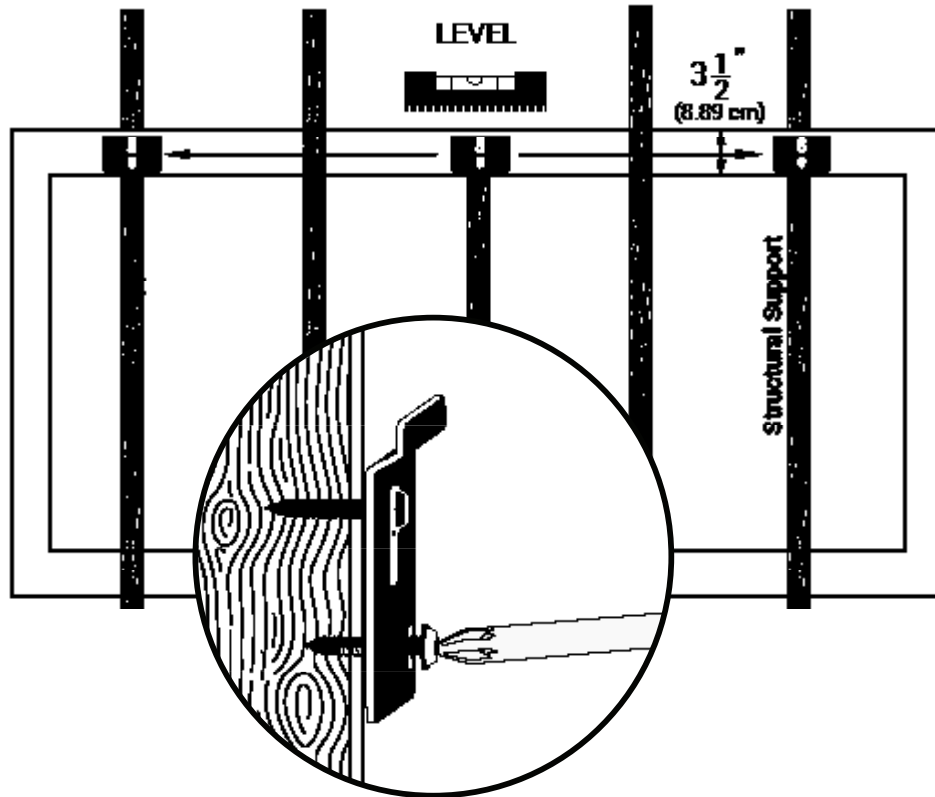
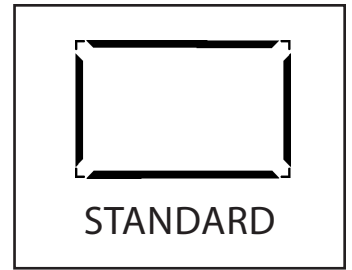


SPLIT

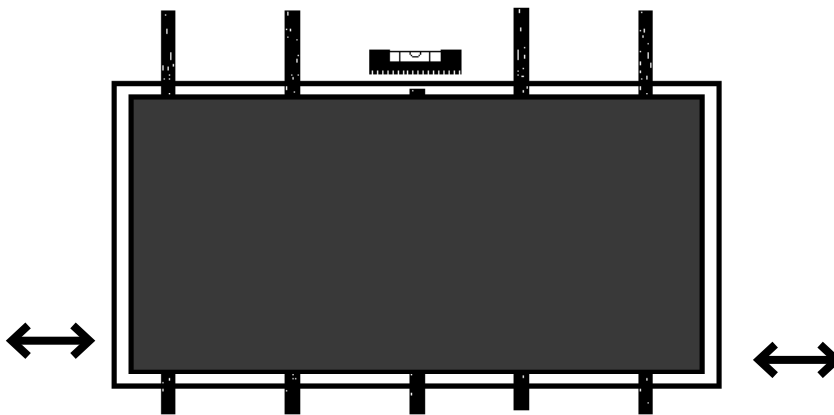
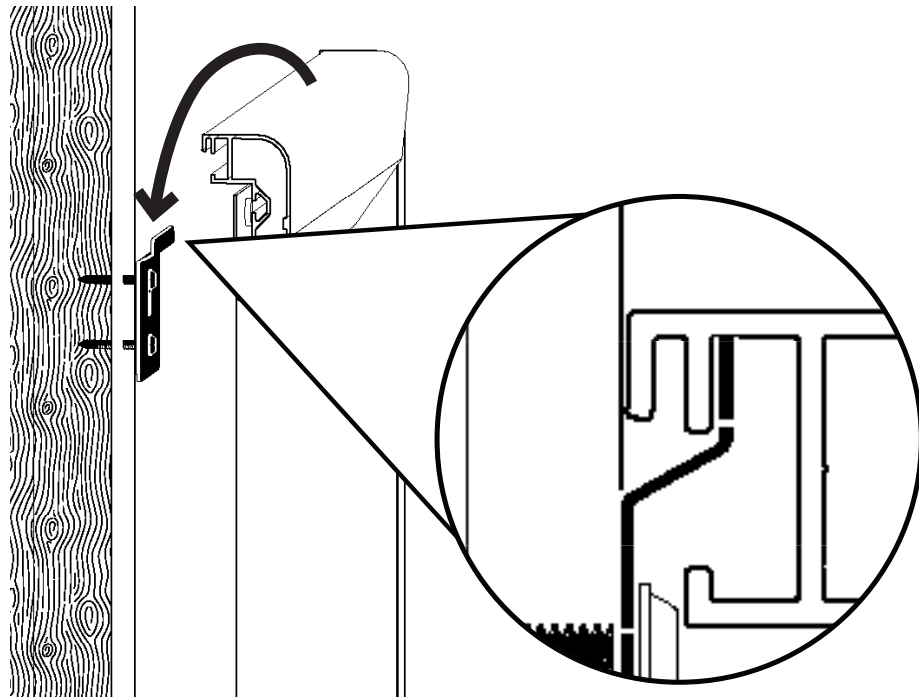
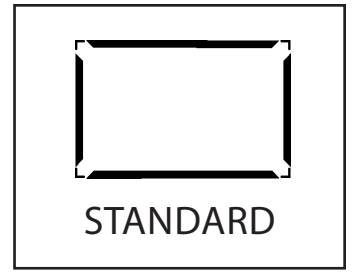


Screen Mounting

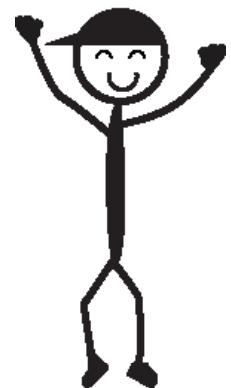
1

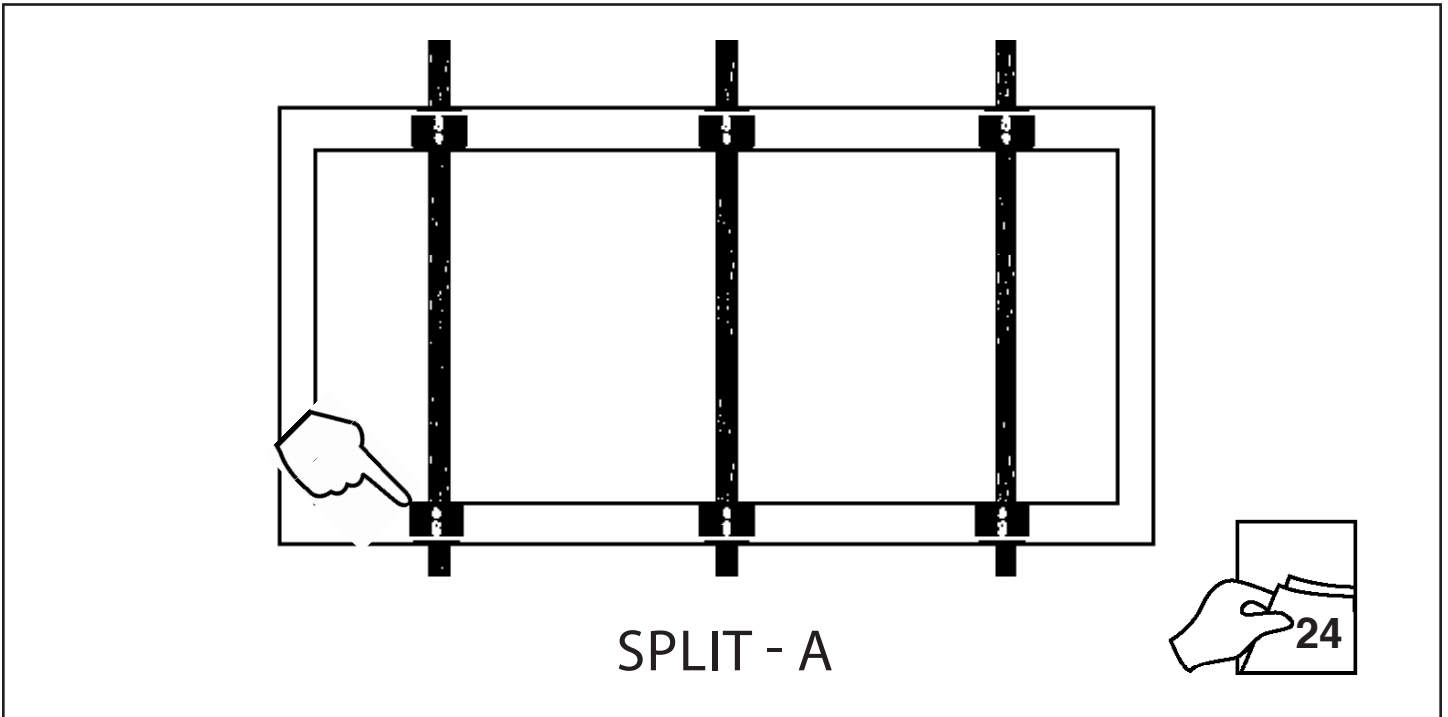
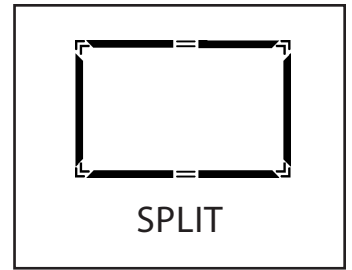


2

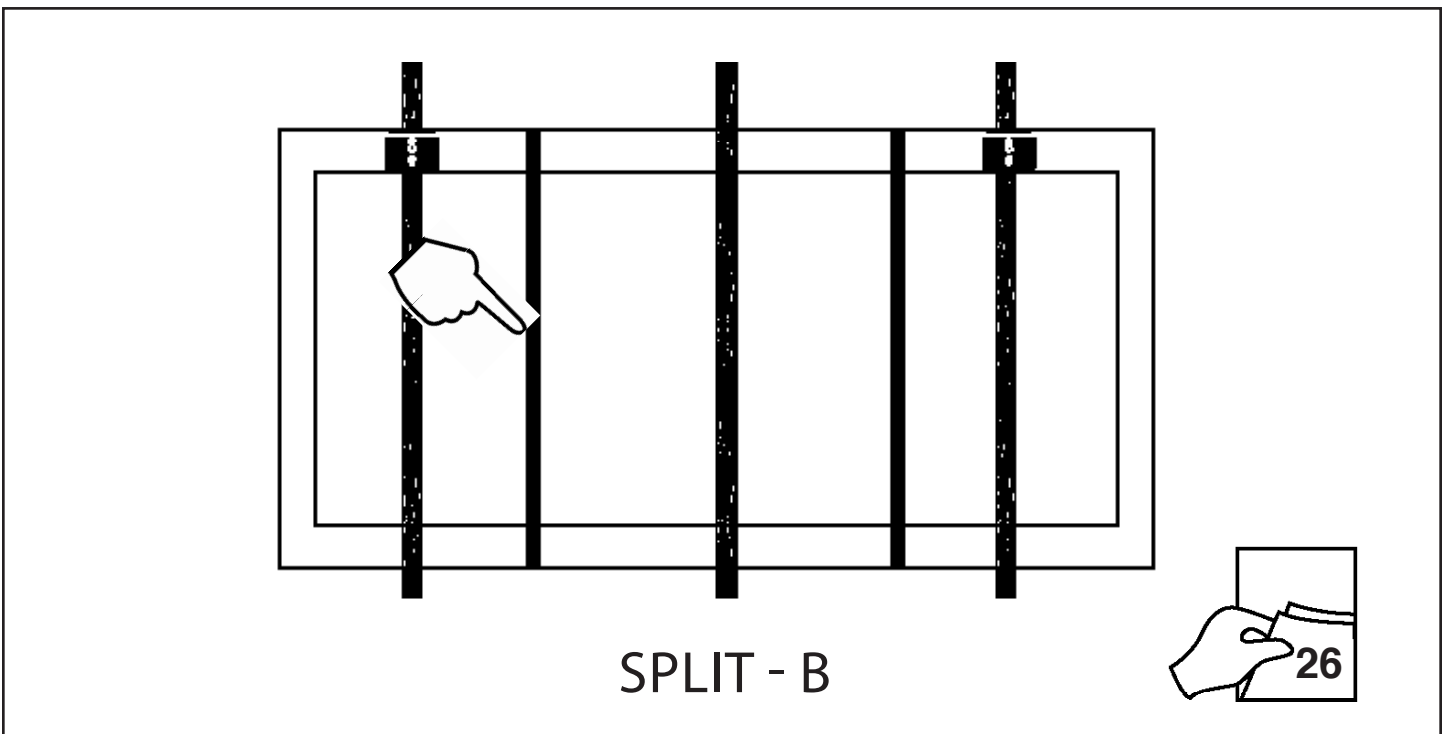


3



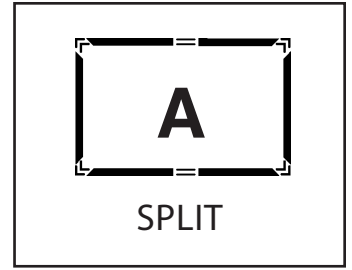


Use Split A mounting when vertical supports bars are not being installed.



Use Split B mounting when vertical support bars are being installed.

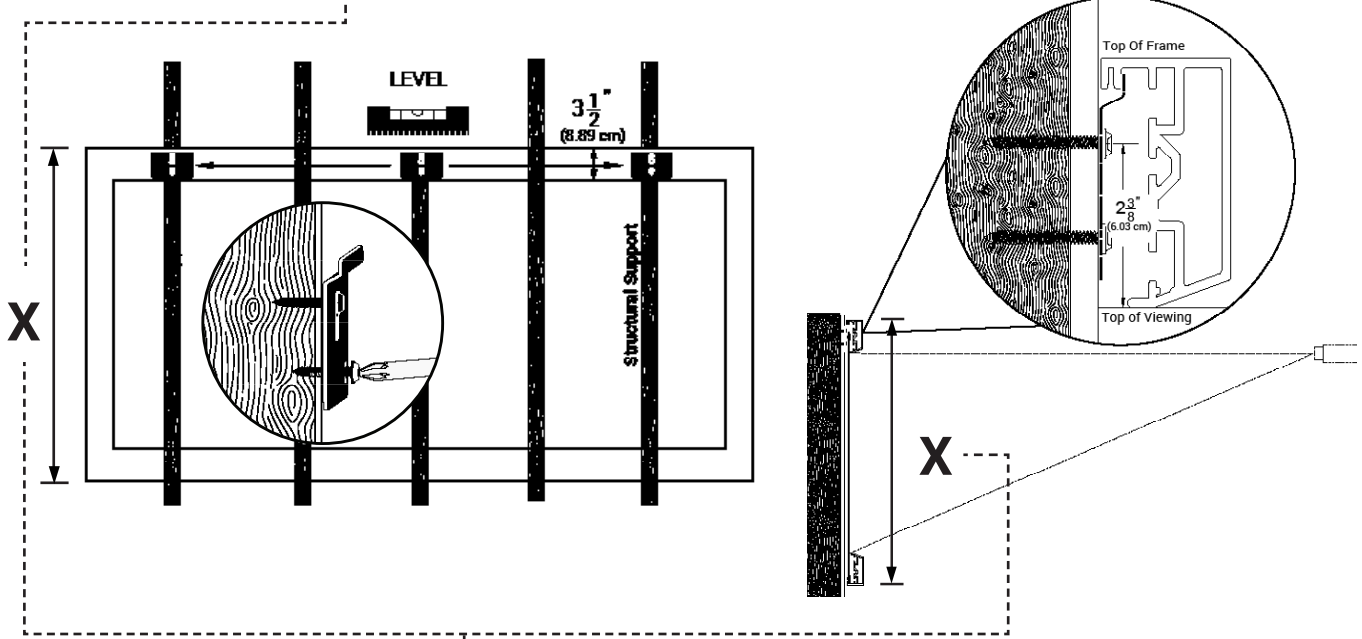
Screen Mounting



1



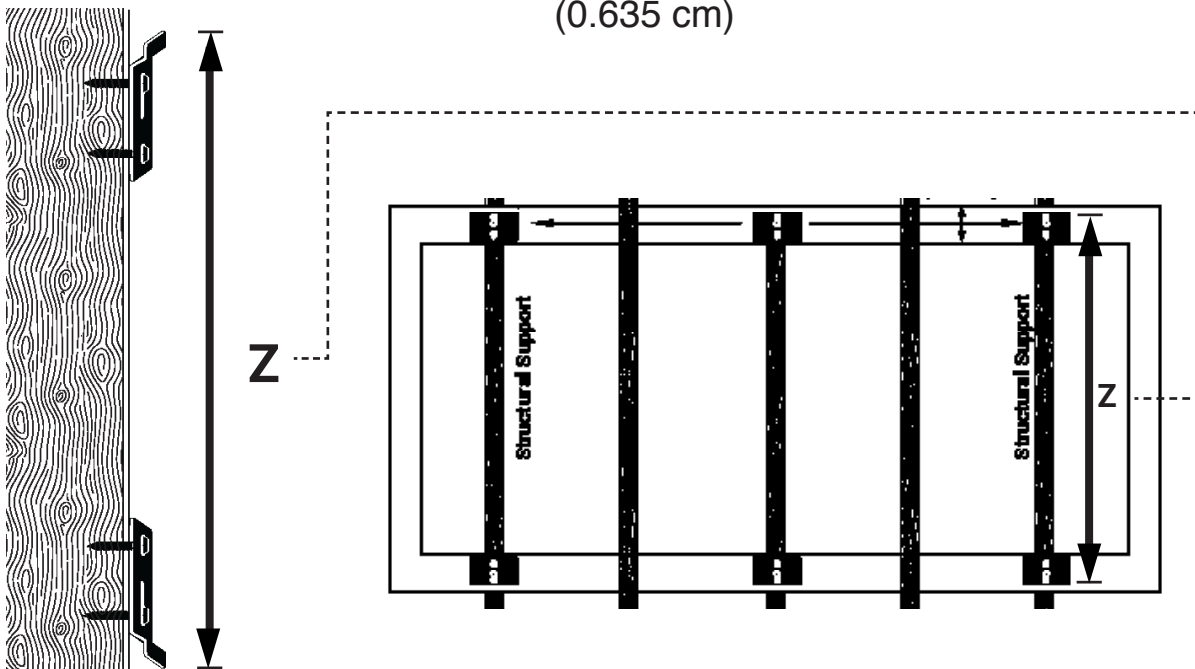
X = inch/cm



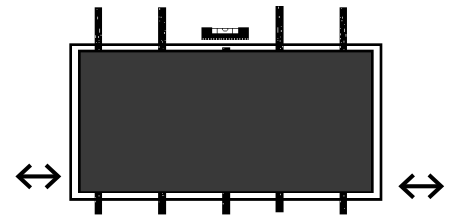
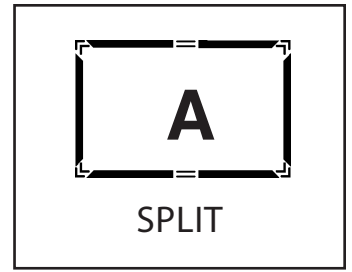
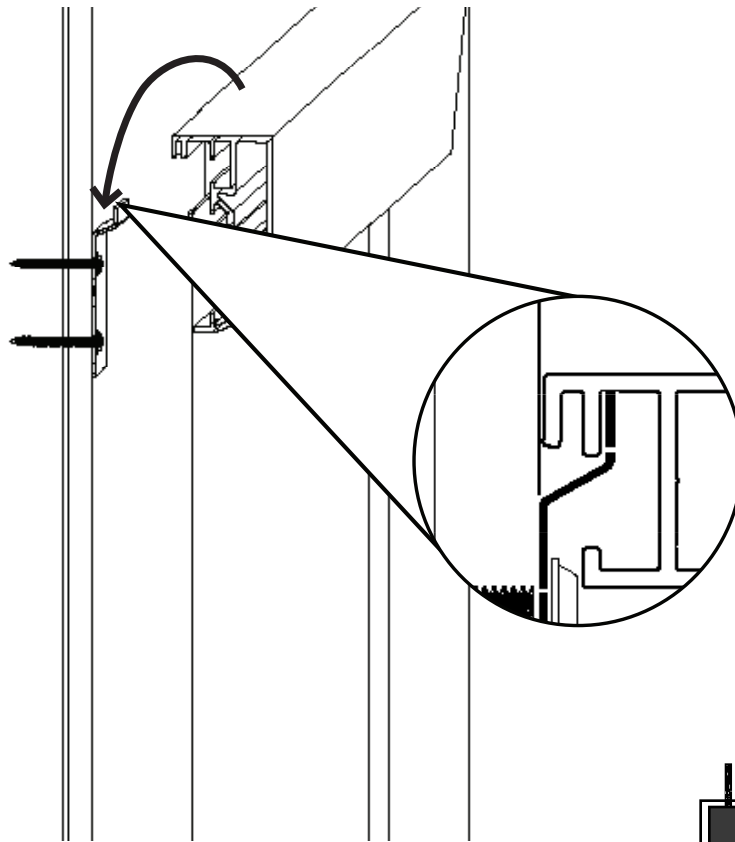
2



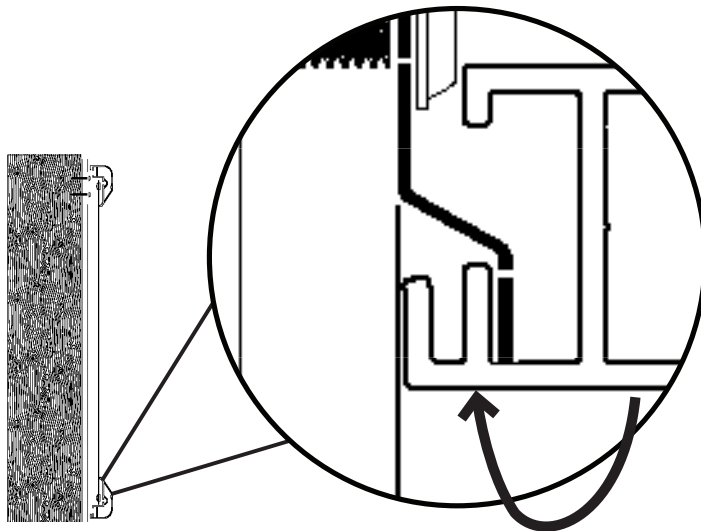
X - 1/4 = inch/cm
(0.635 cm)



3



4

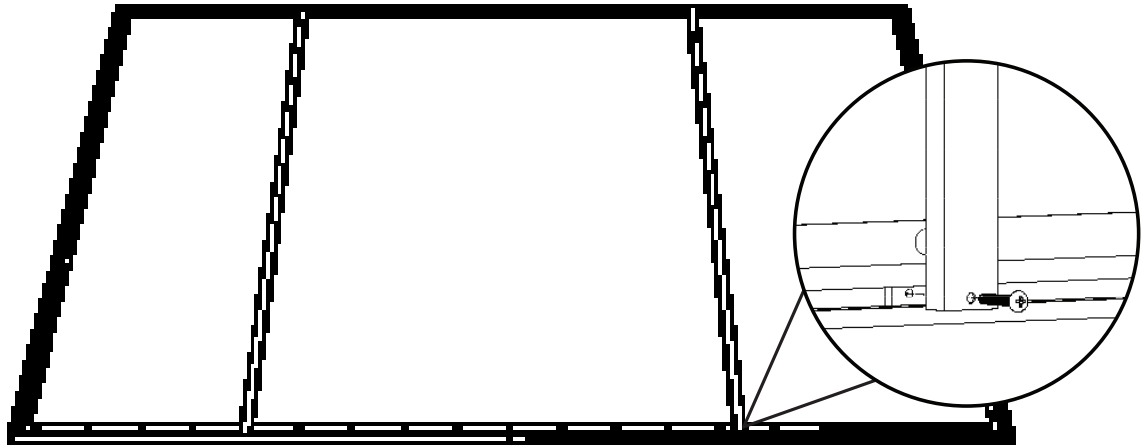
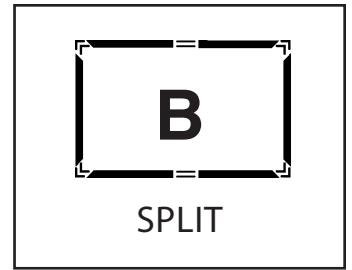


5

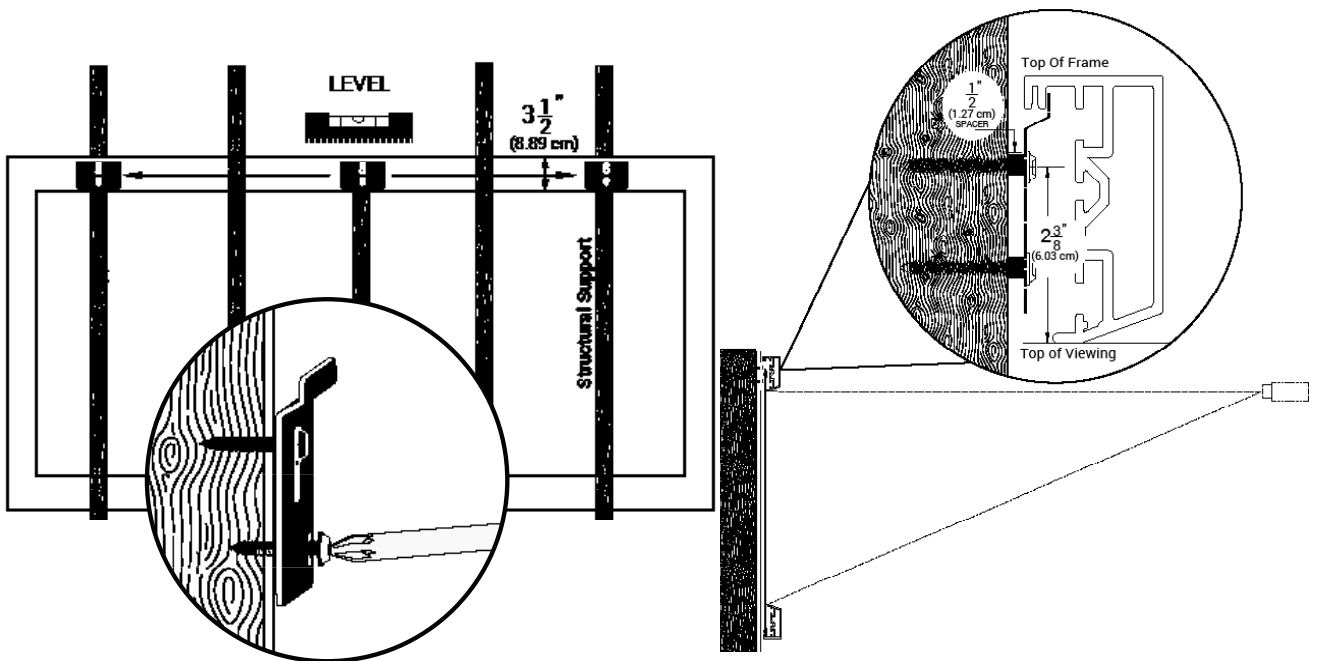


Screen Mounting

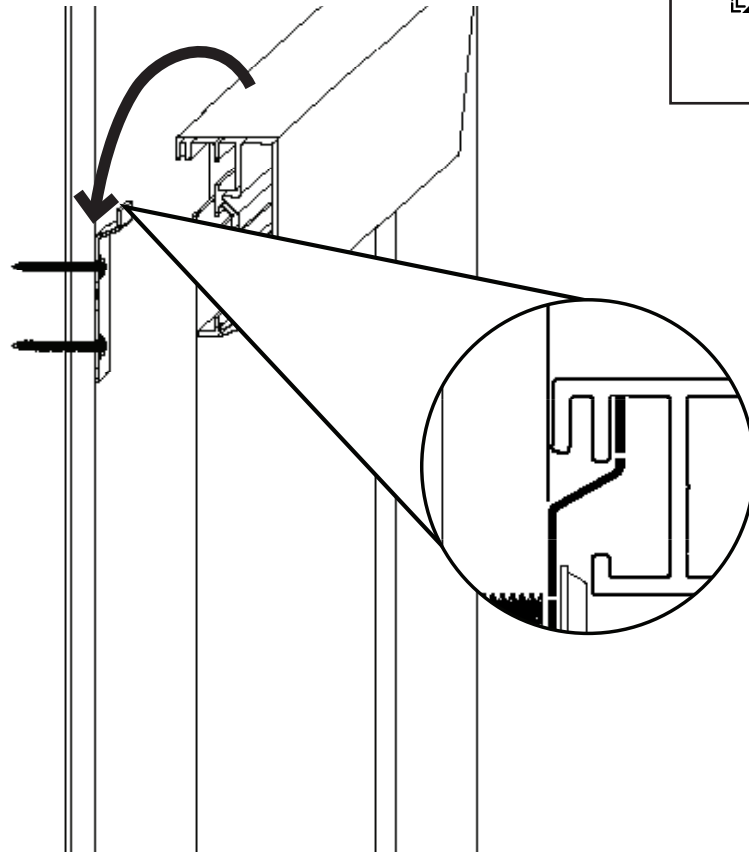
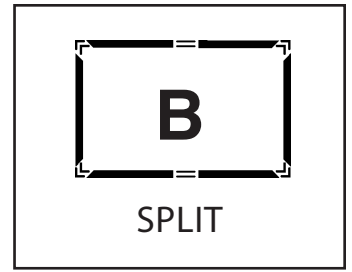
1



2

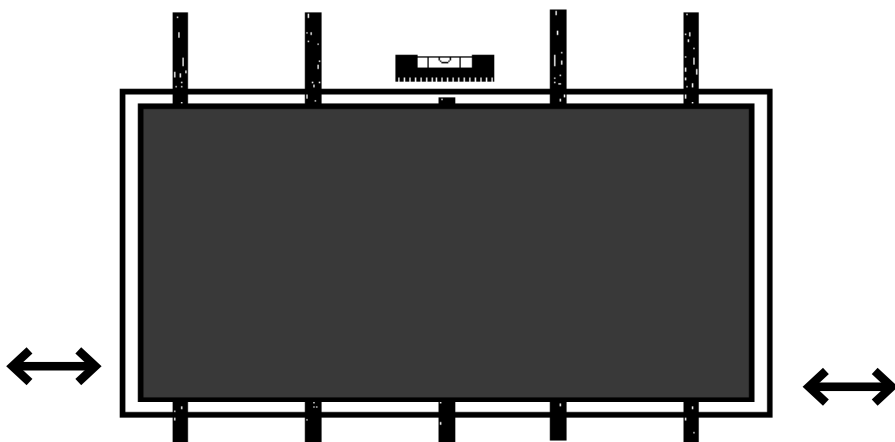


3



4

5





NOTES:

9715-B Burnet Road Suite 400, Austin, TX 78758

Tel: 512-832-6939 Fax: 512-832-6136

www.screeninnovations.com