



TributeNight™ Leg Order Form

1 Patient Information

Name: _____ Phone Number: _____ Age: _____ Height: _____ Weight: _____
 Therapist/Fitter: Name: _____ Phone Number: _____ Email: _____

2 Garment Design

Style Right Leg Left Leg LE - _____

Channeling Chevron Vertical

Profile Original Low

Color Black Slate Purple Raspberry

Modifications

QTY.	Notes/Placement Instruction
___ Zippers	_____
___ VELCRO® fastener	_____
<input type="checkbox"/> Closure	_____
<input type="checkbox"/> Adjustable panels	_____
___ Non-skid pads	_____
___ Pull-up loops	_____
___ Snap tape	_____

Accessories

- ___ Variable Compression Jacket (VCJ)
- ___ Outer Jacket (OJ)
 - Color: Black Slate Purple Raspberry
 - Fastener type: VELCRO® Snap
 - Modifications: Non-skid pads
- ___ Easy Slide Donning Aid

Special Instructions: _____

Exact Reorder of Order #: _____

4 Billing Information

Quote Only

Business Name: _____

Phone: _____ Fax: _____

Contact Name & Phone: _____

Account #: _____ P.O. #: _____

Payment: Credit card (provide number below) Net 30

Card #: _____ Exp: ___ / ___ SID: _____

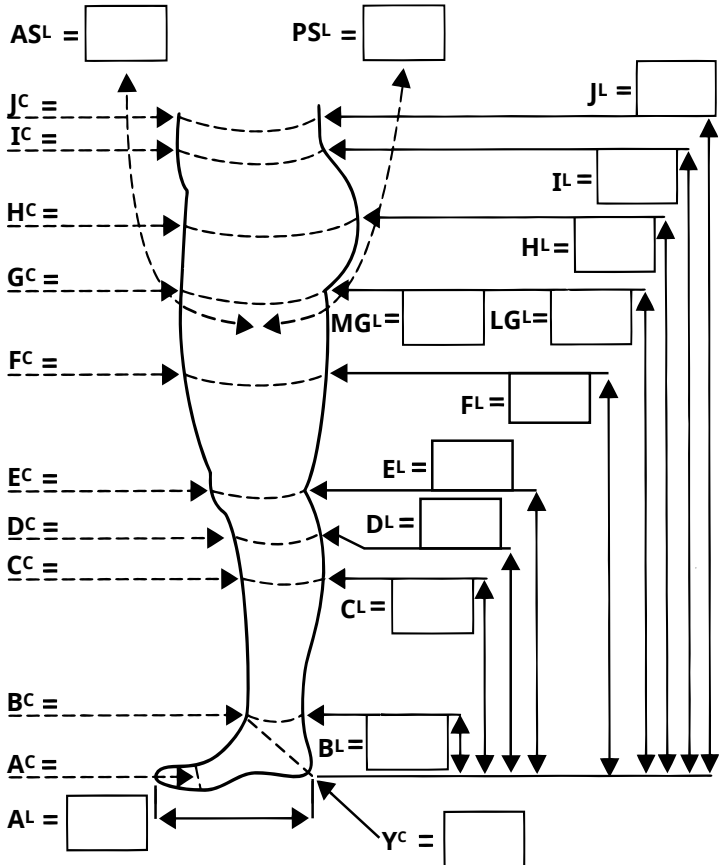
3 Measurements

Date taken: ___ / ___ / ___

(All measurements in centimeters)

C = Circumference

L = Length



5 Shipping Information

Shipping: Standard 4-Day Guarantee*
 Priority Requested Delivery Date: _____

Ship to: _____

Attn: _____

Street: _____

City: _____ State: _____

Phone: _____ Zip: _____

Email (for shipping notification): _____

Fax completed order to 414-892-4150 or email to customdesigncenter@us.LRmed.com

L&R USA INC. will reply with an order confirmation and cost. Questions? Call Custom Design Center at 414-892-5158.

*Orders must be received before 2:00 PM Central. Business days only, Holidays excluded. Valid on new orders and US customers only. On-hold garments receive guarantee starting at release of the on-hold garment.