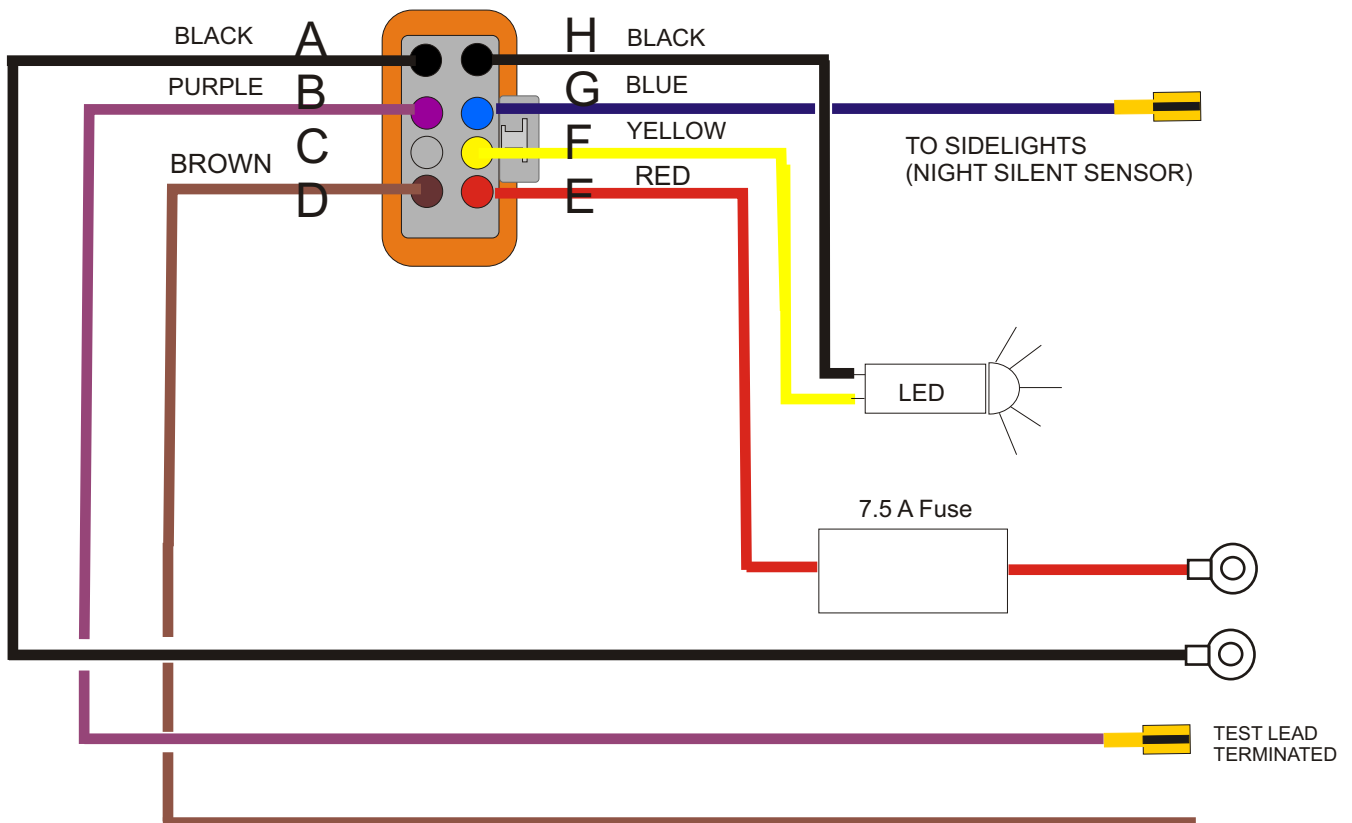
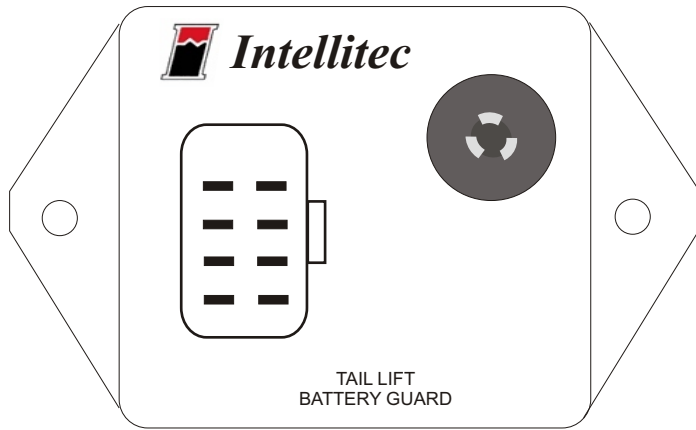


K14

CD Battery Guard Standard Connection Schematic for 00-00698-242



CD BG Plug Connections	
Pin A	Ground
Pin B	Test switch
Pin C	Spare
Pin D	Power Out
Pin E	Battery Power
Pin F	LED Power
Pin G	Beep Inhibit
Pin H	LED

Reason for issue change: Voltage correction to 24 volt

	Draw number : BMS-00-698-003	Drawn : T. Hanlon	Issue: B	Check : A.W. <input type="checkbox"/>	Date : 22/03/10	Scale : NTS	Filepath Battery management\ CD BG
	Intellitec M.V Technical Services Speciality Vehicle Electronics Division		Revised:	P.S. <input type="checkbox"/>	Title : 24v Continuous Duty Battery Guard (Tail Lift Battery Guard)		Technical Helpline 0151 482 8970