

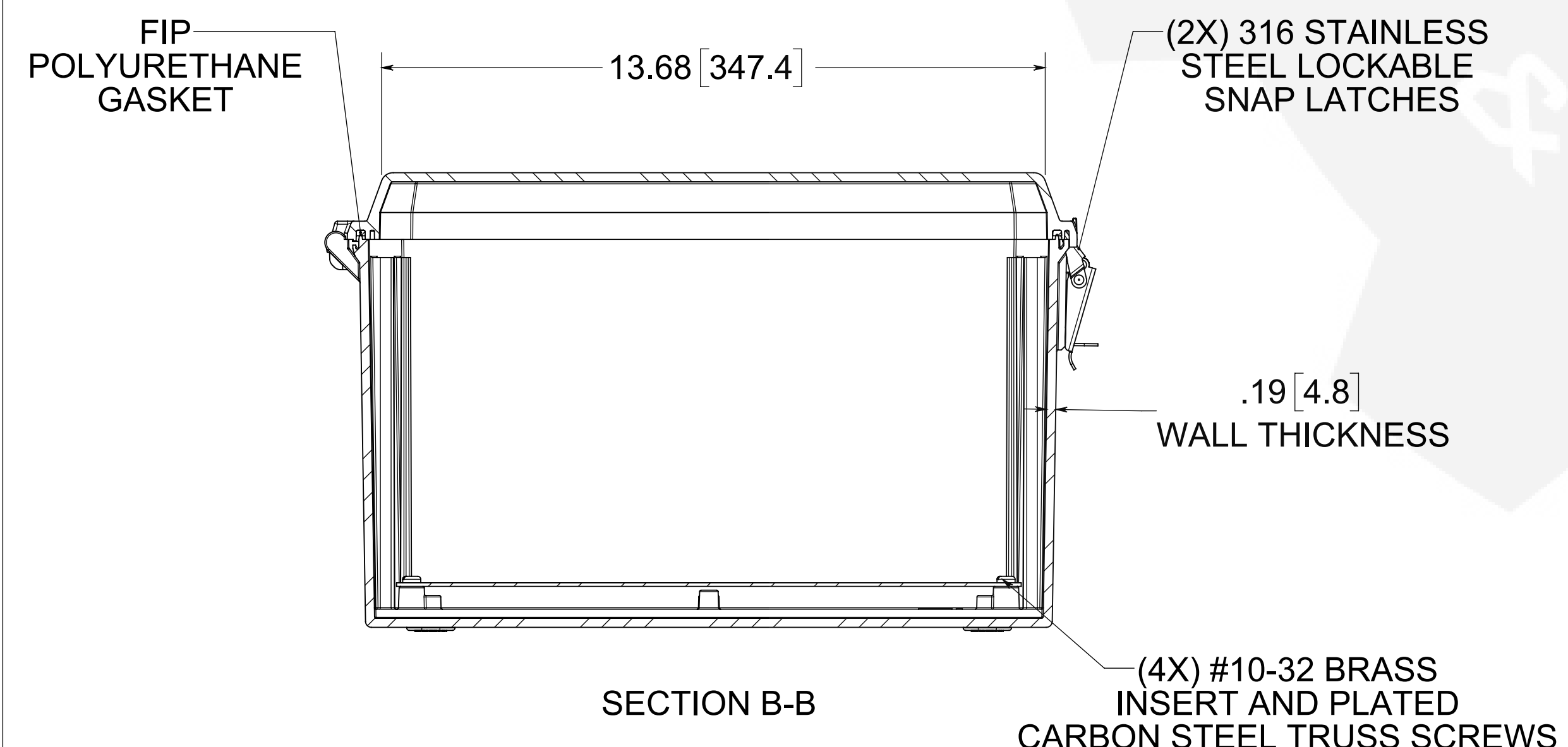
OPTIONAL BACK PANEL
 0.100 [2.54] TH'K - ALUMINUM
 0.075 [1.91] TH'K - WHITE STEEL
 0.188 [4.78] TH'K - PVC

SECTION A-A

(4X) SNAP-IN
 POLYCARBONATE
 HINGE KNUCKLE

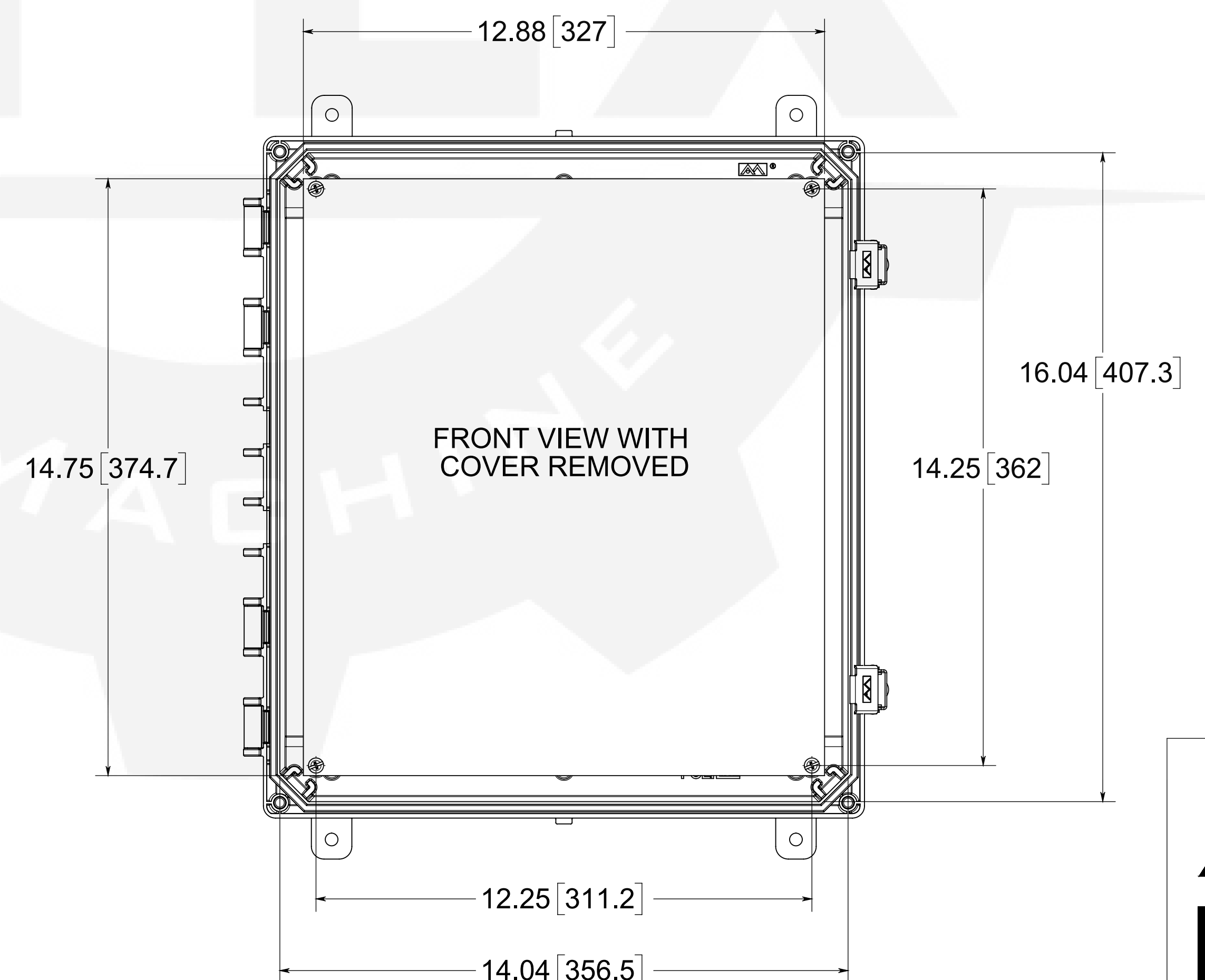
(4X)
 POLYCARBONATE
 FEET

(4X) #10-32 BRASS INSERTS,
 316 STAINLESS STEEL FLANGE
 AND FEET SCREWS



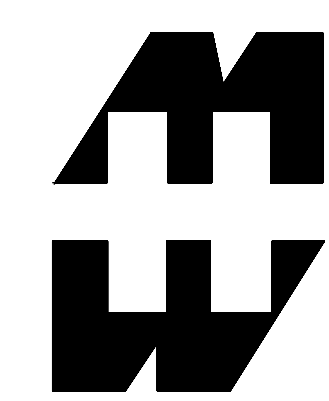
SECTION B-B

MATERIAL:
 BOX - INJECTED POLYCARBONATE
 STANDARD COVER - INJECTED POLYCARBONATE
 CLEAR COVER - INJECTED POLYCARBONATE



FRONT VIEW WITH
 COVER REMOVED

NOTE:
 1. DATA SUBJECT TO CHANGE



PART No. PCJ16148CCL

for more information visit
www.hammfg.com
 Data subject to change without notice
 Drawing Not to Scale