

**VON DUPRIN®**



“ONCE I INSTALLED THE  
**CONCEALED  
VERTICAL CABLE  
SYSTEM**

I KNEW EXIT DEVICES  
**WOULD NEVER BE THE  
SAME AGAIN.”**



**IR** Ingersoll Rand®



INTRODUCING THE  
**CONCEALED VERTICAL CABLE SYSTEM.**

**NO RODS.**

**SINGLE-POINT  
ADJUSTMENT.**

**INSTALLS IN  
MINUTES.**

**HASSLE-FREE  
MAINTENANCE.**

**The revolutionary new concealed vertical cable system  
replaces traditional rods and makes life easier for everyone.**

At last both architects and installers can agree on how best to meet code requirements that call for a concealed vertical latching system. The new patent pending concealed vertical cable (CVC) system from Von Duprin is faster to install and simpler to adjust than traditional vertical rods. Designed for use with Von Duprin 98/99 and 33/35A series exit devices, the CVC system provides more secure protection for the opening, and delivers the streamlined aesthetics that architects and customers prefer.

**Flexible, enclosed cable system installs as one assembly.\***

Unique patent pending cable system eliminates the challenges of traditional rods. Cable flex allows you to adjust your exit device centerline, even if it's not aligned with the top and bottom latches. Color-coordinated cables easily snap into latches, taking the guesswork out of installation.

**Single-point adjustment streamlines installation.**

The center slide attaches to the exit device at a single point with a set screw, eliminating the fine-tuning and adjustment needed with traditional rods.

**Top latch with greater than 90-degree bolt-to-strike engagement enhances security.**

The "U" shaped latchbolt provides greater security and deadlocking without the need for an auxiliary latch or unsightly latch release hardware.

**Stainless steel cables with Teflon® liner prevent corrosion and increase system strength.**

**Bottom latch height adjustable with door hanging.**

Latch height is easily adjustable through the side of the door with a spring pin while the door is hanging. Greater than 90-degree bolt-to-strike engagement increases security.



VON DUPRIN JUST MADE MY LIFE  
**A WHOLE LOT EASIER.**

Installing and adjusting traditional concealed rods is often frustrating and time consuming. When the rods aren't installed accurately the device can come out of alignment, compromising security and requiring service. The new CVC system from Von Duprin requires only one point of adjustment and attaches to the exit device at a single point. This means the device can be installed quickly, easily and correctly - the first time.

**ORDER PRE-INSTALLED BY STEELCRAFT® AND YOU'RE READY TO GO.**

The new CVC system makes installation even easier when the system is pre-installed in a Steelcraft door. Whether it's a new opening or retrofit to an existing door, Steelcraft will pre-install the CVC system at the factory. When the door comes to the jobsite it's ready to be hung - simply attach the Von Duprin exit device.



\*Wood door solutions installed as two assemblies.

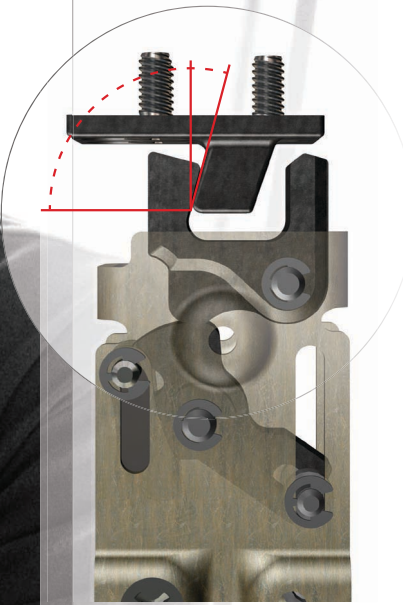
“I FINALLY FOUND A SYSTEM I CAN SPEC THAT EVERYONE CAN AGREE ON.”

## THE STRENGTH IS IN THE LATCHING SYSTEM

### Independent top latch for greater security.

The latches of the CVC system operate independently, allowing the top latch to reliably engage even if the bottom latch is compromised.

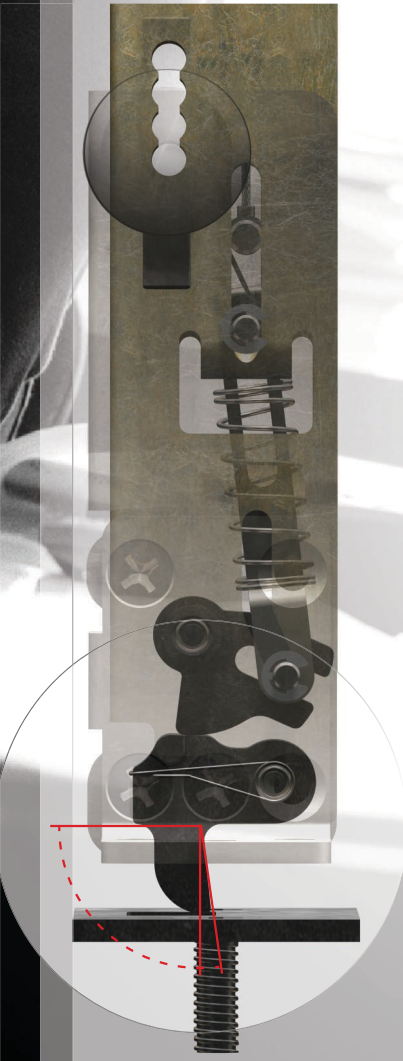
- Greater than 90-degree engagement with strike holds latch secure.
- Latches are designed to withstand up to 2500 pounds of force.



### Easy-to-adjust bottom latch for smoother operation.

Unique system design makes it easy to adjust and maintain the bottom latch without taking down the door.

- Adjust latch height while the door is hanging using the spring pin.
- Remove system quickly and easily to lubricate the latches, or to address salt and dirt buildup, and reinstall in minutes.





Ingersoll Rand (NYSE:IR) advances the quality of life by creating and sustaining safe, comfortable and efficient environments. Our people and our family of brands—including Club Car®, Ingersoll Rand®, Schlage®, Thermo King® and Trane®—work together to enhance the quality and comfort of air in homes and buildings; transport and protect food and perishables; secure homes and commercial properties; and increase industrial productivity and efficiency. Ingersoll Rand Security Technologies' market-leading products include electronic and biometric access control systems; time-and-attendance and personnel scheduling systems; mechanical locks; portable security; door closers, exit devices, architectural hardware, and steel doors and frames; and other technologies and services for global security markets. Ingersoll Rand is a \$14 billion global business committed to a world of sustainable progress and enduring results. For more information, visit [ingersollrand.com](http://ingersollrand.com) or [securitytechnologies.ingersollrand.com](http://securitytechnologies.ingersollrand.com)

877-671-7011

[www.vonduprin.ingersollrand.com](http://www.vonduprin.ingersollrand.com)

[www.ingersollrand.com](http://www.ingersollrand.com)

©2012 Ingersoll Rand VD-005546