



For interior, non-fire rated doors that need to be automated to offer ADA-compliant accessibility

Norton®

ASSA ABLOY

ASSA ABLOY, the global leader
in door opening solutions

5600 S E R I E S

LOW ENERGY POWER OPERATOR

CATALOG

INTRODUCTION

The 5600 Series, a member of the POWERMATIC® Family of Operators, offers functionality and control at an affordable price. Ideal for retrofit applications, the 5600 Series converts interior, non-fire rated doors for ADA compliance easily and affordably and provides a simple way to achieve touchless environments in public restrooms. Available for push or pull mounting, this unit can be operated manually or activated by wall switches, or radio frequency devices. Easy to install, set-up and adjust, the 5600 Series is perfect for ADA-compliant offices, classrooms and dorm rooms, and touch free applications like public restrooms, labs and examination rooms.



FEATURES

- » Push or pull side mounting
- » Non-handed
- » Quiet operation
- » Electrically controlled backcheck, sweep and latch
- » Activation options: wall switches, radio frequency devices
- » Ease of installation and set-up
- » On/Off Switch
- » Hold open options: 0-30 seconds (5 seconds minimum required for ADA and ANSI/BHMA A156.19)
- » Onboard 24VDC (1.1A) power supply for accessories
- » Door closer mode for manual usage
- » Electronic motor dampening - provides feel of high performance, manual door closer
- » Electric hardware and access control interface

PATENT

- » Pending

TABLE OF CONTENTS

Functions, Electrical Data, Certifications, Specifications	3
Standard Applications.....	4
Parts List, Arm Assemblies	5
Accessories, Kits.....	6-7
How to Order	8

FUNCTIONS

- » Push & Go
 - › As the door is manually opened, the operator "senses" movement and opens door to the full-open position
- » Obstruction Detection
 - › Motor stops if door is obstructed during opening
- » Motor Start Delay
 - › 0-5 second delay allows locking hardware to release first
- » Overload Safety Shut-Off
 - › After two minutes of receiving a door activation signal, the unit will time out
 - › Prevents motor/inverter damage
- » Executive™ Kit
 - › Operator is shipped with a transmitter and RF receiver
 - › Press the transmitter once and the door opens; press the transmitter a second time and the door closes
- » Hands-Free Kits
 - › Operator shipped with wave-to-open wall switch
 - › Option of electric strike for mortise or cylindrical lock

ELECTRICAL DATA

- » Power Input; 120 VAC, 60Hz
- » Current Draw: 0.6A
- » Relay Output: SPDT
 - › Normally open/normally closed (jumper)
 - › For electric strike function

CERTIFICATIONS

- » ANSI / BHMA A156.19 certified
- » ETL certified; conforms to ANSI/UL standard 325 for automatic closing doors
- » Comply with requirements for the Americans with Disabilities Act (A.D.A.)
- » This product is manufactured in an ISO 9001, ISO 14001 facility

SPECIFICATIONS

General Specifications

Operators for interior doors shall be products of one manufacturer and be matched in style. Operator (non-fire rated doors) closing force shall be adjustable to ensure adequate closing control and shall simulate conventional door closer opening and closing forces unless the power operator motor is activated or in the event of a power outage to the operator. Operators shall be non-handed and have electrically controlled backcheck, sweep, and latch with manual adjustment to set both the full open and full closed door positions. Maximum door open shall be adjustable up to 95°, pull side mounting, conditions permitting. Operators can be SELECTIVELY ACTIVATED (i.e. external wall switches, radio frequency devices). Operators shall have input line rating of 120VAC, 0.6A, and include on board relay contact for interfacing with products having a rating of 24VDC at 1A. Door operators shall include an external On/Off Switch to defeat powered opening cycle and an internal circuit breaker switch to interrupt input power for servicing. Operators shall be ETL certified and conform to ANSI/U.L. standard 325 for automatic closing doors. Door operators shall be in compliance with the requirements of the Americans with Disabilities Act (A.D.A.) and ANSI/BHMA standard A117.1.

Additional Detailed Specifications

When activated, the door operator shall, by means of an integral motor, power open the door at both a speed and force adjustable to meet accessibility codes. The door shall be powered from a door closed position to a full door open position and remain in momentary hold open for 0 to 30 seconds (adjustable 0 to 30 seconds); (A.D.A. requires 5 seconds minimum hold open). Operators shall be capable of allowing the door to be opened manually from 0 to 95°, conditions permitting. Once door operator reaches full hold open position, if reinitiated, the momentary hold open time shall restart from the initially set hold open time. If door operator is initiated during the closing cycle, the operator shall revert to opening cycle beginning at that door position. Obstruction detection during opening shall neutralize and reverse motor action reverting motor to closed position allowing door to close by means of the integral motor. The obstruction detection feature shall be integral to the door operator. During closing cycle, the door operator shall close door by means of integral motor power not to exceed a closing force of 15 lbf. In the event of power loss, the door will remain in the position at the time of the power loss during the opening or the closing cycles.

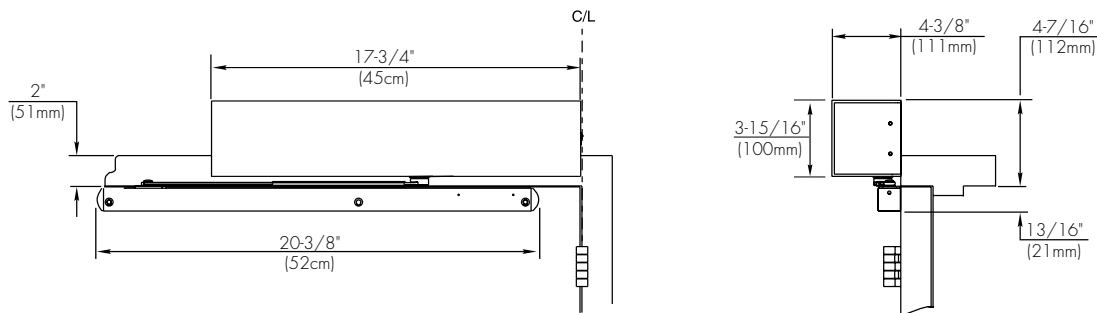
STANDARD APPLICATIONS



5610
HINGE (PULL) SIDE OF DOOR
» 95° swing (trim permitting)

Door width:
Minimum = 32"
Maximum = 36"
An auxiliary stop is recommended.

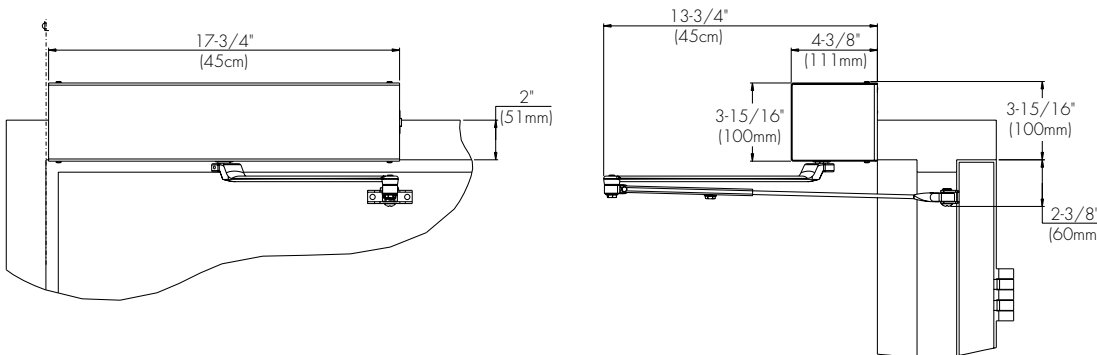
NOTE: Contact factory if door weight exceeds 150 lbs.



5630
HINGE (PUSH) SIDE OF DOOR
» 110° swing (trim permitting)

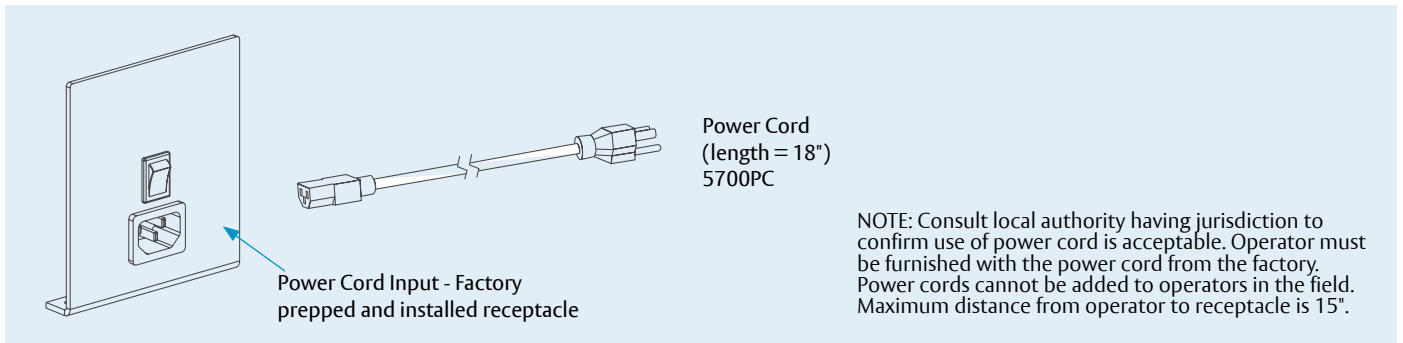
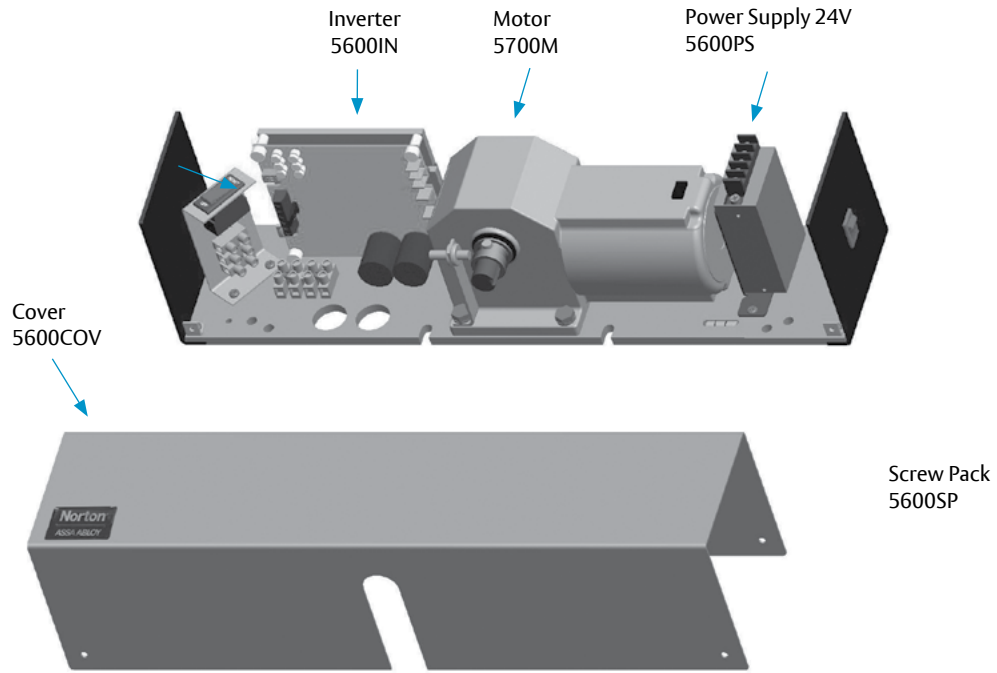
Door width:
Minimum = 32"
Maximum = 36"
An auxiliary stop is recommended.

NOTE: Contact factory if door weight exceeds 150 lbs.



5600 SERIES LOW ENERGY POWER OPERATOR

PARTS LIST



ARM ASSEMBLIES

Pull Side



Arm and Track Assembly
5610-1

Push Side



Double Lever Arm
5630-1

ACCESSORIES



501

502

Activating Door Switches

- » 4-1/2" W. x 4-1/2" H.
- » 15 amp @ 125 VAC
- » Flush mounted – hard wired
- » Fits single or 2 gang electrical box
- » **501** – Stainless steel with black letters
- » **502** – Blue powder coat with white letters
- » Specify #542 to order surface mount box for 501 or 502 switch

Activating Door Switches



505, 531

507, 532

- » 6" W. x 6" H.
- » 9 volt battery
- » 15 amp @ 125 VAC
- » Flush mounted
- » Stainless steel with blue letters
- » **531, 532, 533** and **535** radio frequency (433MHz) – used with RF option and 539. Supplied with surface mount boxes
- » **507, 505, 506** and **534** hard wired*
- » Surface mounted boxes are not supplied if required, specify:
555 - 6" square surface mount box
557 - 6" round surface mount box



506, 533

534, 535

* Switches may also be installed with single or double gang electrical box using fasteners included.



503

Vestibule Switch

- » 1-1/2" x 4-3/4" face plate
- » SPDT UL listed switch-mom
- » 15 amp @ 125 VAC
- » Fits 1-3/4" frame
- » Stainless steel with blue letters



504

Vestibule Switches

- » 5" W. x 4-3/4" H.
- » 2 – SPDT UL listed switches-mom
- » 15 amp @ 125 VAC
- » Fits 2-gang electrical box
- » Stainless steel with blue letters

Wave-to-Open Wall Switch



700

- » Single gang and double gang packaged together
- » Sensor requires movement for activation
- » Variable relay – hold time from 0 – 35 seconds
- » Range 0" to 4"
- » 3" W x 4-3/4" H (single);
- » 4-1/2" W x 4-1/2" H (double)

5600 SERIES LOW ENERGY POWER OPERATOR

ACCESSORIES



539

Radio Frequency Receiver

- » 433 MHz



536

Transmitter

- » 2-3/8" w x 4-3/16" h x 15/16" d
- » Single channel



538

Transmitter

- » 2-3/8" w x 4-3/16" h x 15-16" d
- » Two channel



548

Transmitter

- » Converts existing hard wired push plates to work with RF receivers offered after June 2013
- » Single channel
- » 9 volt

KITS

There are several kits available to convert restrooms to a completely touchless environment.

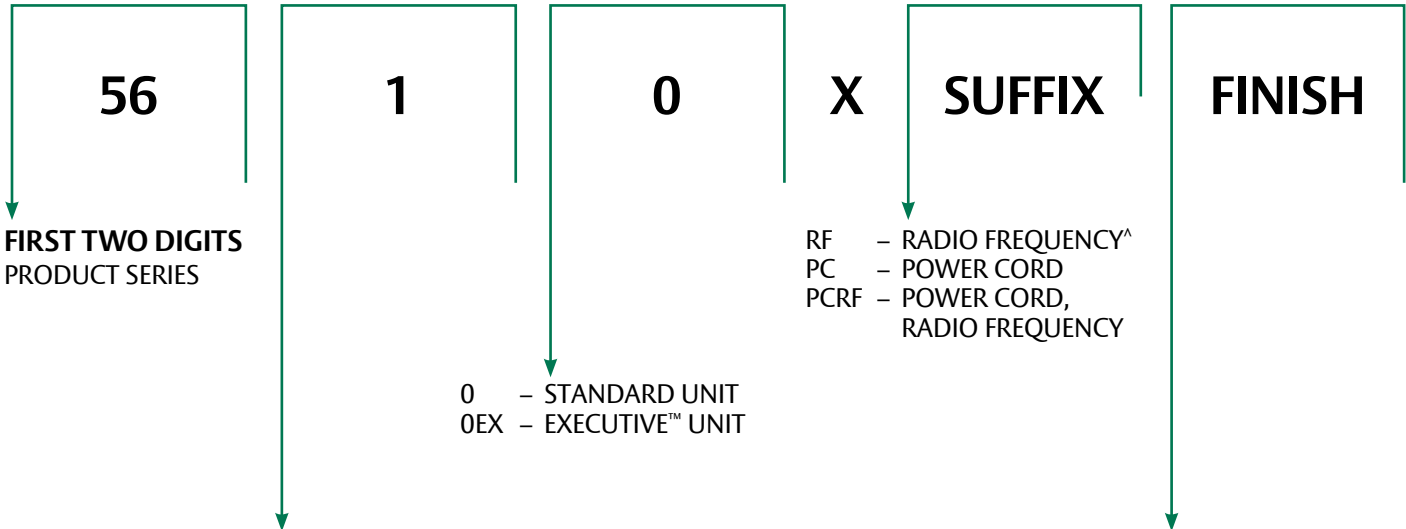
Model Number	Description	Kit Includes				
		Operator		Switches (1 Single & 1 Double Gang)	(1) Strike	
		5610	5630	700	5000C	1006CLB
5610K1 5630K1	Hands-free kit	✓		✓		
5610K1-SC 5630K1-SC	Hands-free kit with HES electric strike for cylindrical locks	✓		✓	✓	
5610K1-SM 5630K1-SM	Hands-free kit with HES electric strike for mortise locks	✓		✓		✓

The Executive Function Kits provide wireless door control for offices. Simply press a button and a signal is sent to the door to open; press the button a second time and the door closes.

Model Number	Description	Kit Includes		
		Operator		Transmitter
		5610RF	5630RF	536
5610EX 5630EX	Executive function	✓		✓
			✓	✓

HOW TO ORDER

Note: All transmitters (door switches or key fob) must be ordered separately.



HINGE (PULL) SIDE OF DOOR*
1 – Rigid Arm & Slide Track
Max reveal 1/8" (3mm) up to 95° door swing

STOP (PUSH) SIDE OF DOOR
3 – Double Lever Arm
Minimum reveal: 1-1/4" (32mm)
Maximum reveal: 5" (127mm)

[^] Actuators not supplied with RF.
Note: For Kits see page 5 & 6.

Description	Specify Norton Designation (BHMA)	Complements the following finishes	Old Designation
Aluminum	689	628, 625, 629, 630, 651	AL
Statuary Bronze	690	640, 613	STAT

*600 is a special rust inhibiting prime coat. Closers can be ordered prime coat only (specify closer x 600). An additional charge applies if finish coat is required over prime coat (ex: 5610 x 600 x 689).



ASSA ABLOY is the global leader in door opening solutions, dedicated to satisfying end-user needs for security, safety and convenience

Since 1880, Norton door controls have been an integral part of schools, hospitals and businesses around the globe. When you need products and people that perform at the highest level, rely on Norton – From Open to Close.

Norton Door Controls | www.nortondoорcontrols.com
3000 Highway 74 East | Monroe, NC 28112 | Tel: 1-877-974-2255 | Fax: 1-800-338-0965

ASSA ABLOY Door Security Solutions Canada | www.assaabloy.ca
160 Four Valley Drive | Vaughan, Ontario, L4K 4T9 Canada | Tel: 800-461-3007 | Fax: 1-905-738-2478

Norton is a brand associated with Yale Security Inc., an ASSA ABLOY Group company. Copyright © 2012–2017, Yale Security Inc. All rights reserved. Reproduction in whole or in part without the express written permission of Yale Security Inc. is prohibited.