

## REPLACEMENT PARTS FOR COMPACT ELECTRIC UNIT HEATER

### MODEL EUHC



### TABLE OF CONTENTS

SERIAL NUMBER .....	2
CABINET COMPONENTS .....	2
ELECTRICAL COMPONENTS .....	4
FAN AND MOTOR ASSEMBLY COMPONENTS .....	5
ACCESSORIES/OPTIONS .....	6

### IMPORTANT

- Always include complete model and serial number so that any specification change can be considered for parts replacement. It can save time and expense.
- In keeping with our policy of continuous product improvement, we reserve the right to alter any information shown here.
- Order by Part Number (PN) not by option designation.

**WE RESERVE THE RIGHT TO SUBSTITUTE FUNCTIONAL REPLACEMENTS.**

## SERIAL NUMBER

**NOTE: The serial number is located on the unit's rating plate.**

Decode serial numbers as follows:

Serial number sample: **BOG 3062 00000**  
 Elements key number: **1 | 2 | 3**

Key:

- 1 = Date code (refer to [Table 1](#))
- 2 = Plant of manufacture (3062 = Monterrey)
- 3 = Consecutive number

**Table 1. Serial Number Date Codes (Month and Year)**

Year	Month											
	JAN	FEB	MAR	APR	MAY	JUN	JUL	AUG	SEP	OCT	NOV	DEC
2025	BYA	BYB	BYC	BYD	BYE	BYF	BYG	BYH	BYI	BYJ	BYK	BYL
2026	BZA	BZB	BZC	BZD	BZE	BZF	BZG	BZH	BZI	BZJ	BZK	BZL
2027	CAA	CAB	CAC	CAD	CAE	CAF	CAG	CAH	CAI	CAJ	CAK	CAL
2028	CBA	CBB	CBC	CBD	CBE	CBF	CBG	CBH	CBI	CBJ	CBK	CBL
2029	CCA	CCB	CCC	CCD	CCE	CCF	CCG	CCH	CCI	CCJ	CCK	CCL
2030	CDA	CDB	CDC	CDD	CDE	CDF	CDG	CDH	CDI	CDJ	CDK	CDL
2031	CEA	CEB	CEC	CED	CEE	CEF	CEG	CEH	CEI	CEJ	CEK	CEL
2032	CFA	CFB	CFC	CFD	CFE	CFF	CFG	CFH	CFI	CFJ	CFK	CFL
2033	CGA	CGB	CGC	CGD	CGE	CGF	CGG	CGH	CGI	CGJ	CGK	CGL
2034	CHA	CHB	CHC	CHD	CHE	CHF	CHG	CHH	CHI	CHJ	CHK	CHL
2035	CIA	CIB	CIC	CID	CIE	CIF	CIG	CIH	CII	CIJ	CIK	CIL

## CABINET COMPONENTS

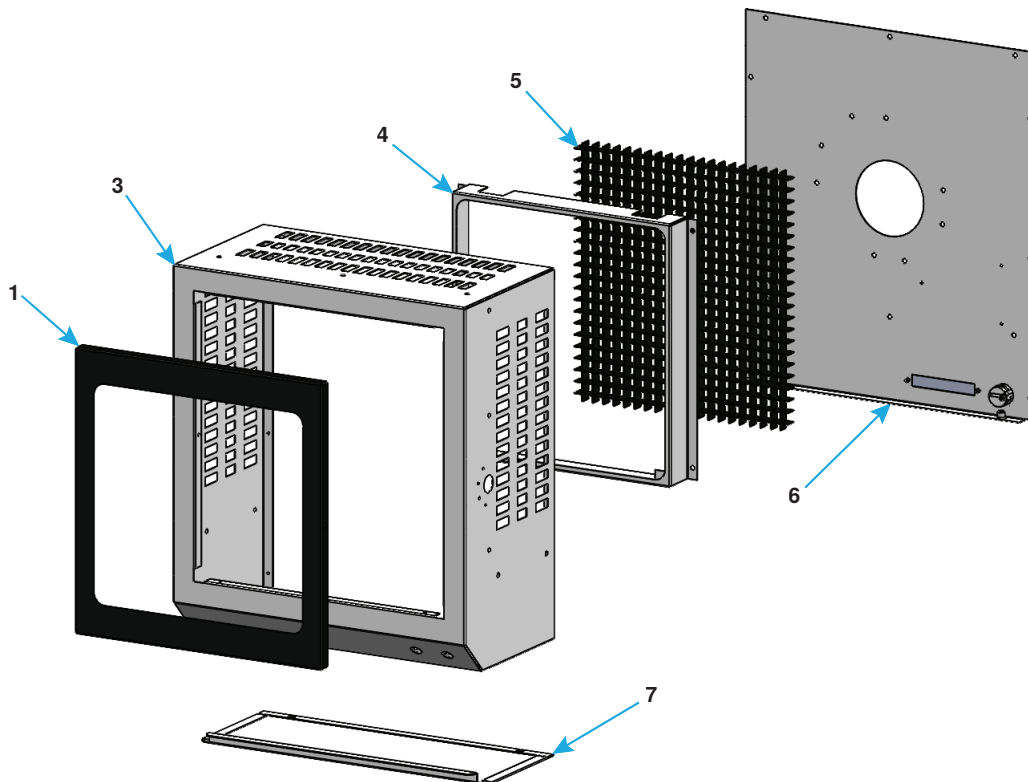


Figure 1. Cabinet 1 and Cabinet 2 Components—Unit Sizes 3, 5, 7, and 10 (Refer to [Table 2](#))

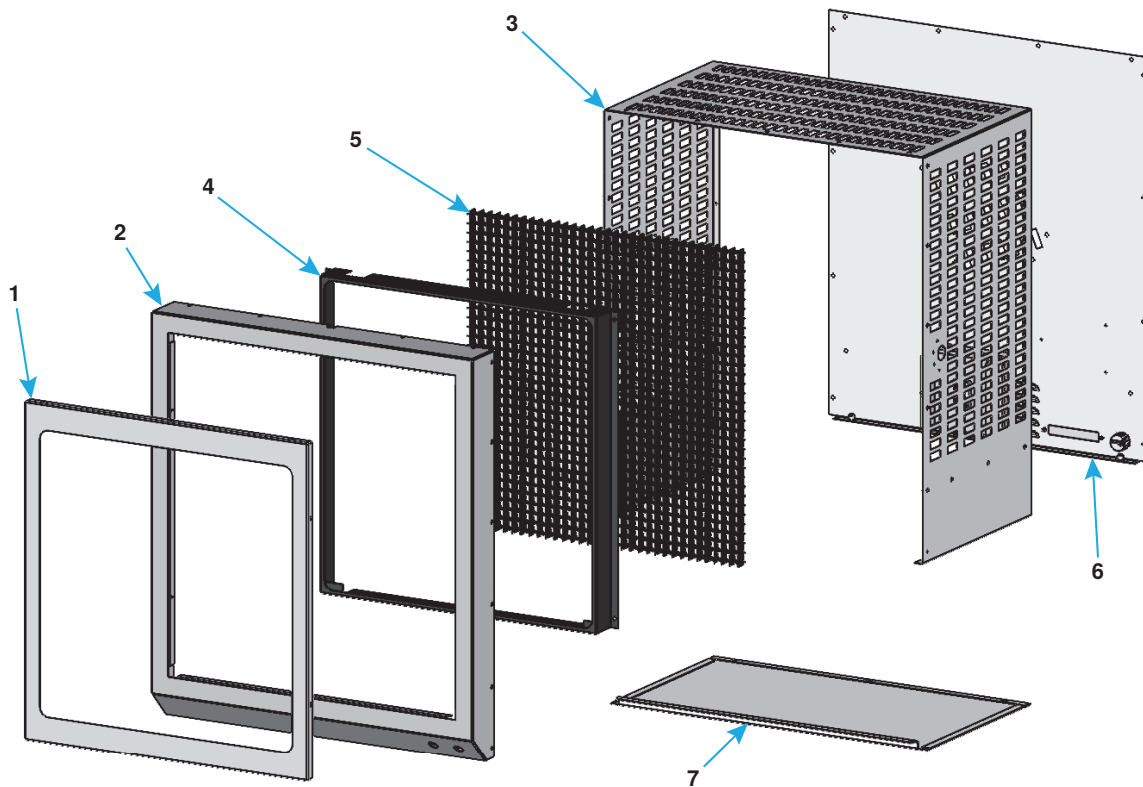


Figure 2. Cabinet 3 Components—Unit Sizes 15 and 20 (Refer to Table 2)

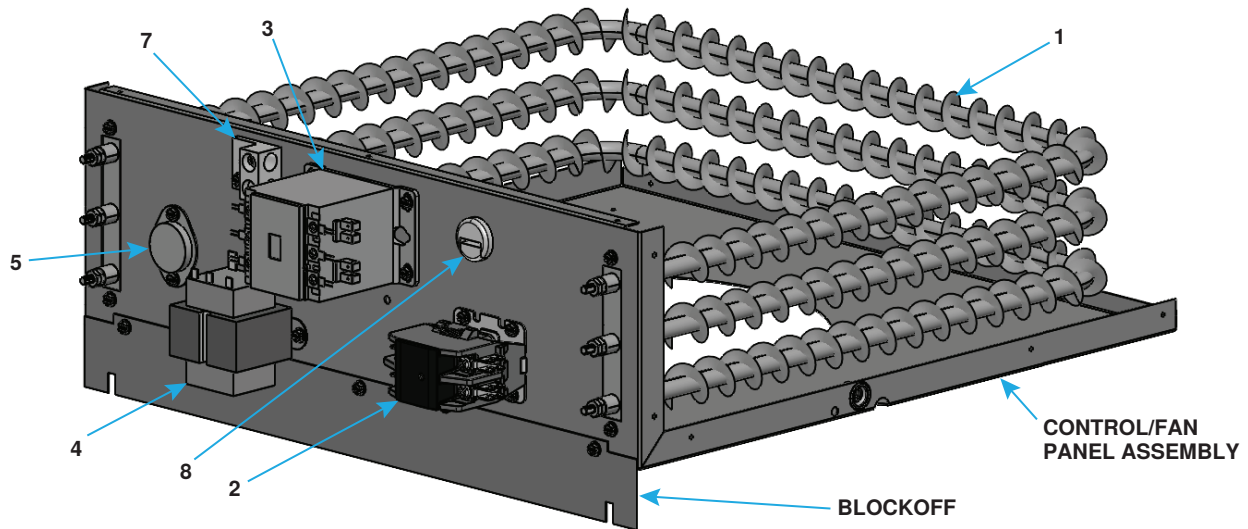
Table 2. Cabinet Components						
Item No.	Component	Description	Cabinet 1	Cabinet 2	Cabinet 3	
			Unit Size (kW)			
			3, 5	7, 10	15, 20	
			PN (Quantity)*			
1	Face	Plate	2000050	2000069		
2		Wrapper	—			
3	Housing	Unit	2000047	2000064	2000165	
4	Holder	Fan grid	2000051	2000070		
5	Grid	Fan	2000057	2000074		
6	Panel	Back, 208V–480V	2000059	2000075	2000134	
		Back, 600V	2000255	2000259		
		Access	2000053	2000066	2000130	
—	Blockoff**		2000049	2000067		
	Panel assembly	Control/fan**	2000060	2000076	2000132	
	Mounting bracket, adjustable	Hanger		2000062	2000073	2000142
		Swivel bracket		2000063		
		Bolt, hex head, 3/8-16 × 1		032253 (3)		
		Flat washer, 3/8		06593		
		Lockwasher, 3/8		05197		
		Nut, hex, 3/8		01438		
	Reznor label	With red stripe	2000227			
	Screw	Sheet metal, #8	195638 (as required)			
Bolt	Hex head, #10-24	1047124 (2)		1047124 (3)		

\*Quantity is one (1) unless otherwise indicated.

\*\*Shown in Figure 3.

## ELECTRICAL COMPONENTS

**NOTE: Refer to the installation, operation, and maintenance manual provided with the unit for specific heating element assembly replacement instructions.**



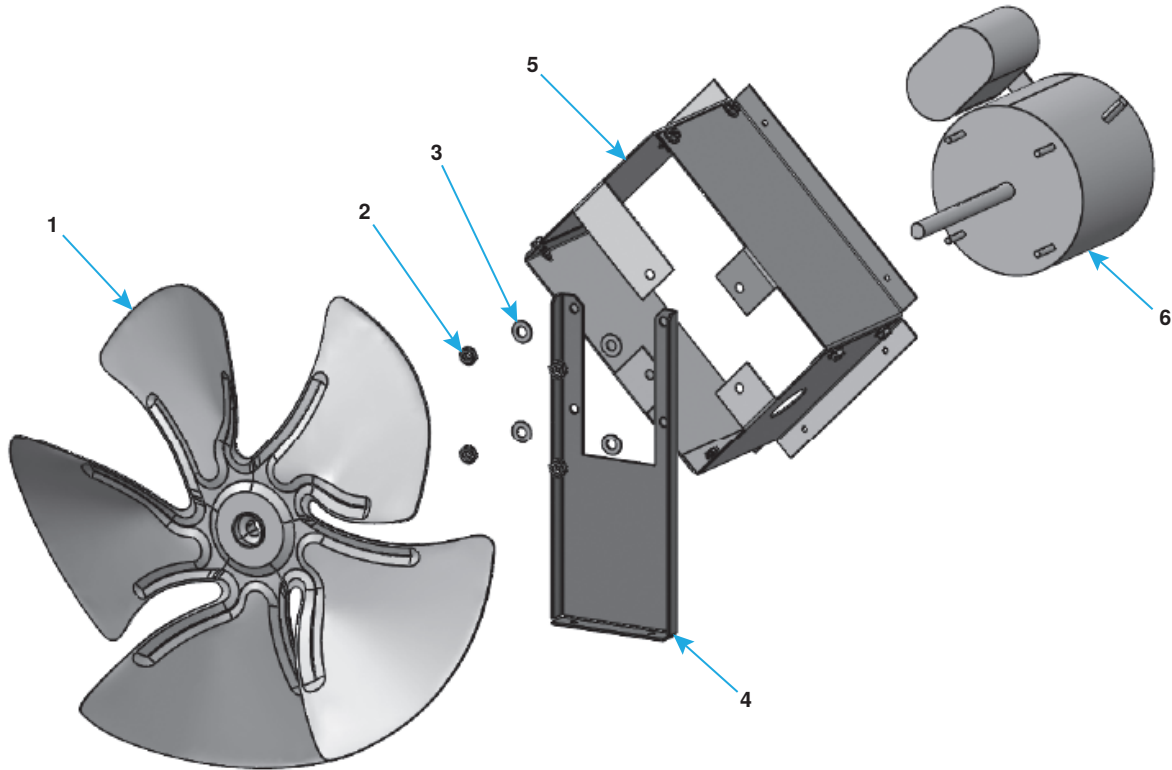
**Figure 3. Typical Electrical Compartment (Refer to Table 3)**

<b>Table 3. Electrical Components</b>										
Item No.	Component	Description	Unit Size (kW)							
			3	5	7	10	15	20		
			PN							
1	Heating element assembly (includes fastening hardware)	208V	2000221	2000222	2000223	2000224	—			
		240V	2000205	2000206	2000207	2000208	2000209	2000210		
		277V	2000217	2000218	2000219	2000220	—			
		480V	2000199	2000200	2000201	2000202	2000203	2000204		
		600V	2000211	2000212	2000213	2000214	2000215	2000216		
2	Contactor	Fan, 2-pole	1014866							
3		Heat, 3-pole	216386		216387					
4	Transformer	208V	621709				—			
		240V	621709				—			
		277V	1042451				—			
		480V	202661							
		600V	202662							
5	High temperature limit switch	230°F open, 40-inch long	2000285		—					
		260°F open, 54-inch long	—		2000286		—			
		280°F open, 54-inch long	—				2000317			
		200°F open, 60-inch long	—				2000319			
		230°F open, 60-inch long	—				2000316			
6	FAN ON limit switch*	90°F open/110°F close	2000283				—			
		100°F open/120°F close	—				2000284			
7	Lug	Grounding								
			632235							
8	Bushing	Strain relief								
			040738							
—	Indicator light	Terminal strip	Thermostat							
					196813					
					2000610					
			2000490**		—					

\*Not shown—located in fan compartment.  
 \*\*Used on residential models EUHC-R3 and EUHC-R5.

## FAN AND MOTOR ASSEMBLY COMPONENTS

**NOTE:** Refer to the installation, operation, and maintenance manual provided with the unit for specific fan replacement instructions.



**Figure 4. Fan and Motor Assembly (Refer to Table 4)**

Table 4. Fan and Motor Assembly Components							
Item No.	Component	Description	Unit Size (kW)				
			3, 5	7	10	15	20
			PN (Quantity)*				
1	Blade	Fan	195644	1042452	195645	195646	195647
2	Locknut	#8-32	31522 (4)				
3	Flat washer		113807 (4)				
4	Support	Fan and motor assembly, 208V–480V	2000099	2000071		2000135	
		Fan and motor assembly, 600V	2000254	2000258			
5	Support	Fan motor, 208V–480V	2000104			2000136	
		Fan motor, 600V	2000262	2000263			
6	Fan motor	208V				—	
		240V	1042366	1042367		1042367	
		277V				—	
		480V	1042524	1042525		1042525	
		600V		2000274			1047583

\*Quantity is one (1) unless otherwise indicated.

## ACCESSORIES/OPTIONS

### Thermostats (Options CL1, CL83, CL84, and CL90)

**NOTE: The unit may be controlled by an optional (refer to [Table 5](#)) or field-supplied thermostat.**

Option	Description	PN
CL1	Single-stage low-voltage thermostat	255350
CL83	Two-stage programmable thermostat, WiFi	1043196
CL84	Two-stage smart thermostat	1043163
CL90	BACnet-capable thermostat	1011394
CM1	Locking cover for CL1 thermostat	257464
CM1B	Locking cover for CL83 and CL84 thermostats	257463

### Relay Kits for Multiple Unit Control (Options CL31 and CL32)

**NOTE: There are two relay kit options for controlling up to five units: CL31 for controlling two units and CL32 for controlling up to three additional units. Refer to the relay kit manual provided with the kit for components and installation instructions.**

Option*				
CL31			CL32	
Voltage				
208V-240V	277V	480V	600V	All
Kit PN				
1042927	1047587	1042928	1047588	1041287

\*Option CL31 includes components for one control unit and one additional unit. Option CL32 includes components for each additional non-control unit.

### Remote OCCUPIED/UNOCCUPIED Switch (Option CN3F)

**NOTE: The unit may be controlled by an optional OCCUPIED/UNOCCUPIED switch in a 2 x 4 box (PN 17782) or a field-supplied switch.**

### Disconnect Switches (Options CP3, CP17, CP21, CP23, CP41, and CP43)

**NOTE: Fusible switches listed do not include fuses.**

Non-Fusible or Fusible	Amps	Volts	Option	PN
Non-fusible	30	600	CP3	050365
	60	240	CP21	161462
		600	CP23	161464
Fusible	30	600	CP41	208053
	60	240	CP17	089932
		600	CP43	208047

### Unit-Mounted Thermostat Kit (Option IT18)

**NOTE: Refer to the unit-mounted thermostat kit manual provided with the kit (PN 2000438) for components and installation instructions.**

### Unit Wiring Kit (Option JB3)

**NOTE: Refer to the unit wiring kit manual provided with the kit for components and installation instructions.**

**Table 8. Unit Wiring Kits**

Amperage	Voltage	Non-Fusible or Fusible	AWG	PN
30	600	Non-fusible	12	2000427
		Fusible		2000428
60	240	Non-fusible	8	2000429
		Fusible	12	2000430
			10	2000431
			8	2000432
	600	Non-fusible	8	2000433
		Fusible	12	2000434
			10	2000435
			8	2000436

