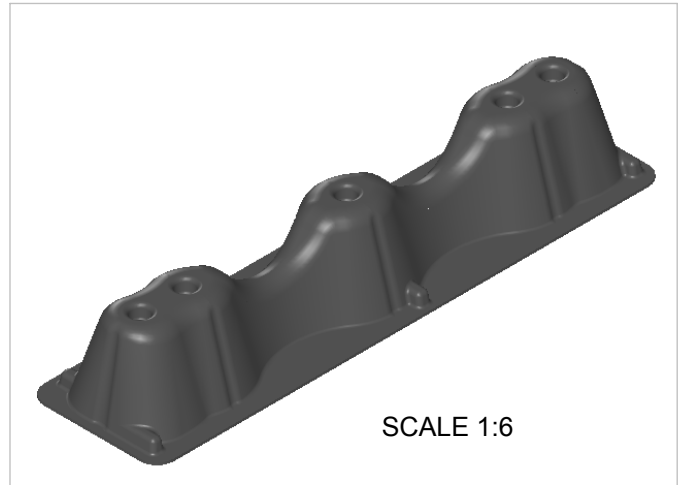
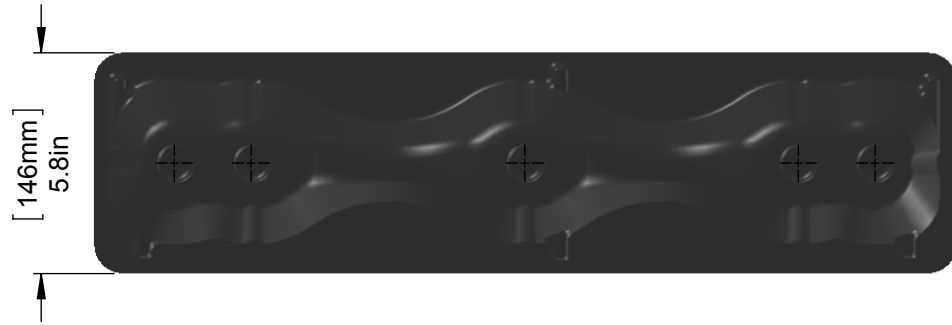
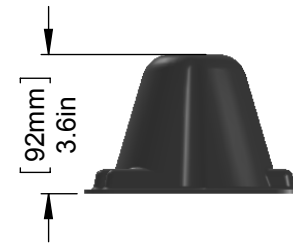
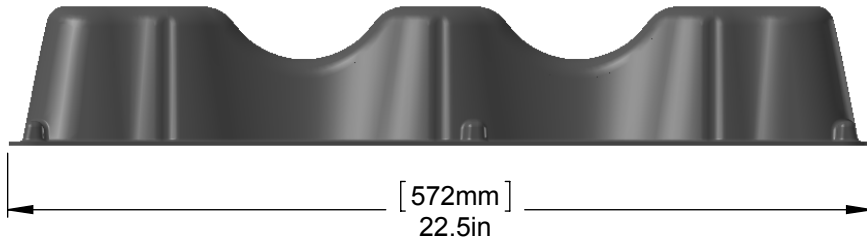


C



C

B



B

NOTES:

- Extreme Temperature Durability (-40°F to 260°F).
- High Tensile Strength.
- Crack/Split/Leak/Rust Resistant.
- Self Extinguishing.
- DexElar Material is UL-94 5VA
- Made With Pride in the USA

UNLESS OTHERWISE SPECIFIED:

DIMENSIONS ARE IN INCHES
 TOLERANCES:
 FRACTIONAL ±.032
 ANGULAR: MACH ± .5° BEND ±2°
 TWO PLACE DECIMAL ± .010
 THREE PLACE DECIMAL ± .005

INTERPRET GEOMETRIC
 TOLERANCING PER: ANSI Y14.5, 1994

ENGINEERING	NAME	DATE
DRAWN BY ENG.	DS	6/8/2010
CHECKED BY ENG.	JK	6/8/2010
ENG APPR.	CC	6/8/2010
MFG APPR.	CC	6/8/2010

PROPRIETARY AND CONFIDENTIAL

THE INFORMATION CONTAINED IN THIS DRAWING IS THE SOLE PROPERTY OF RESOURCE CONSERVATION TECHNOLOGIES, INC. ANY REPRODUCTION IN PART OR AS A WHOLE WITHOUT THE WRITTEN PERMISSION OF RESOURCE CONSERVATION TECHNOLOGIES IS PROHIBITED.

RESOURCE
 CONSERVATION TECHNOLOGIES

64208 PARKLAND DRIVE SUITE 102
 SARASOTA, FL 34243 888-708-6622

TITLE:

AG-GFR 23.5 x 4 SPECIFICATION SHEET

SIZE
A

SCALE: 1:5

SHEET 1 OF 1

A