

Power-open / Power-close Actuator Replacement Instructions

⚠ WARNING

- 120 Volts may cause serious injury from electrical shock. Sudden operation may cause serious injury from moving parts. Disconnect power while replacing actuator.
- Sharp edges may cause serious injury from cuts. Use care when making duct openings and handling ductwork.

⚠ CAUTION

- Turn off the HVAC system power before removing or installing any wires into the terminals of any component on the system. Wiring with a live circuit can lead to electrical shorts that can damage components.
- Installation must be done in accordance with all applicable codes.
- Improper system installation could cause water damage from frozen pipes. Check system operation after installation.

ACTUATOR REPLACEMENT INSTRUCTIONS:

- Turn off power to HVAC system to prevent it from operating during actuator replacement.
- Disconnect 24VAC power supply from actuator.
- Remove screw from orange blade indicator and remove indicator from shaft as shown in **FIGURE 1**.
- Loosen both nuts on the actuator bracket and remove actuator from shaft as shown in **FIGURE 1**.
- Rotate shaft to position the blade in the proper position as indicated in **FIGURES 2 and 3**, depending on the type of damper.
- Slide new actuator onto shaft and fully seat it into the anti-rotation bracket. Make sure that the actuator is sitting level as shown in **FIGURE 4** and tighten both nuts by hand. Then fully tighten each nut to 18 in-lb with an 8mm wrench.
- Replace the blade indicator and install the retaining screw. Make sure the indicator is installed in the correct orientation. You should see a round indent on the pointer for a round damper and a rectangular indent for a rectangular damper as shown in **FIGURE 5**.
- Reconnect 24VAC power supply to actuator.
- Restore power to the HVAC system and test the actuator for proper operation.

FIGURE 1

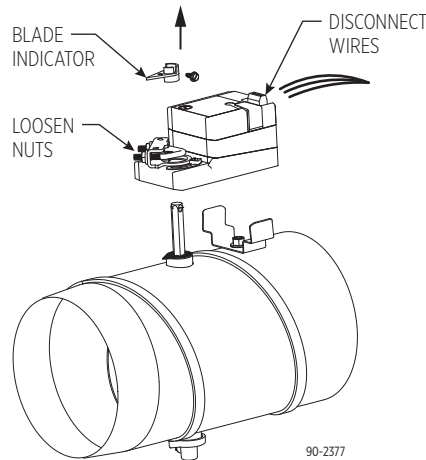


FIGURE 2

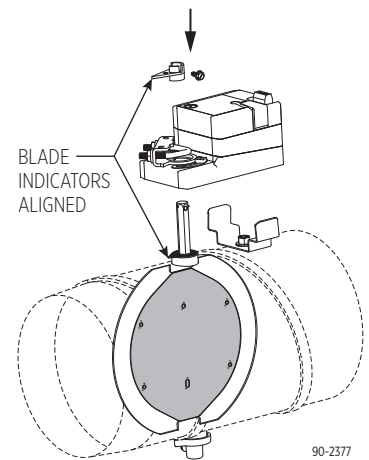


FIGURE 3

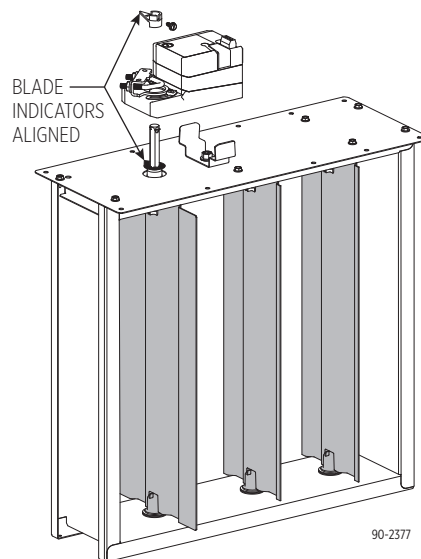


FIGURE 4

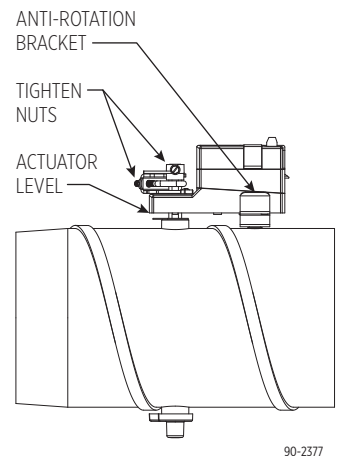


FIGURE 5

