



QUICK INSTRUCTIONS

Model AUV24V
Residential UVC Coil Cleaner

Installed By:	Installer Phone:	Date Installed:
---------------	------------------	-----------------



ALL RIGHTS RESERVED. AUGUST 2022 V.1 (PHOTOS ILLUSTRATING PRODUCTS ARE NON CONTRACTUAL)

⚠ NEVER EXPOSE EYES OR SKIN TO AN OPERATING UV LAMP

⚠ IMPORTANT SAFETY INSTRUCTIONS

Read and follow all instructions contained in the manual before using the product. Read the maintenance instructions before opening the UV unit or system. Failure to comply with these instructions may result in injuries or damage to the UV unit or system. For full installation instructions, scan the QR code found on the back.

READ AND SAVE THESE INSTRUCTIONS

1. Installation and servicing of UV units or systems (in an air conditioning system or not) can be hazardous. Only trained and qualified service personnel should install, repair or service equipment.
2. Untrained personnel can perform basic maintenance functions such as replacing the lamp. All other operations should be performed by trained service personnel.

CAUTION: UNIT IS NOT A TOY. KEEP AWAY FROM UNSUPERVISED CHILDREN. DO NOT LEAVE CHILDREN UNATTENDED WITH THE UNIT.

3. DO NOT hang onto the UV unit or system.
4. When installing or servicing an overhead UV unit or system, be careful not to fall off the stepladder. Furthermore, make sure the UV unit or system latches are always in place to prevent falling parts.
5. Units that are obviously damaged must not be operated.
6. CAUTION: When working on the UV unit or system, observe precautions on the literature, tags and labels attached to the UV unit or system, and all other safety precautions considered as best practices in the HVAC industry, if applicable.
7. When applicable, local regulation may comprise more restrictive installation and/or certification requirements. The aforementioned requirements prevail on those of this document and the installer agree to conform to these at his own
8. Follow all the safety instructions outlined in this document and respect all local and national codes applicable.
9. All UV units or systems contain a UV-C source. Damage to the housing or unintended use of the UV unit or system may result in harmful UV-C leaks. UV-C may, even in little doses, cause harm to the eyes and skin.
10. Never expose eyes or skin to an operating UV lamp. Therefore, before installing or performing maintenance on the UV unit or system, TURN OFF AND DISCONNECT the UV unit or system from all power sources (there may be more than one switch to disconnect) and also disconnect the HVAC system, is applicable.

WARNING

High voltage may cause serious injury from electrical shock. Disconnect power to the furnace/air handler before starting installation.

11. UV light can cause color changes or structural degradation of plastics, rubber, and other non-metallic materials used in the HVAC system.
 - Install lamp in a location that prevents exposure to these materials or shield them with aluminum tape or sheet metal.
 - Do not install within 6ft of flex duct.
 - Do not install near the HVAC air filter.
12. When installing or performing maintenance on the UV unit or system, it is recommended to wear safety gloves. In order to avoid reduced performance of lamp(s), do not touch lamp glass without gloves.
13. Just like conventional fluorescent lamps, UV lamps contain a small quantity of mercury: if a lamp breaks, clean and dispose of with care. UV lamps can be disposed/recycled after use in the same way as any other fluorescent lamps. Contact and follow the specific instructions of your local and national authorities.
14. Use only specified AprilAire branded replacement UV lamps for your UV unit or system. Use of any other lamps will void your warranty and can result in damage to the UV unit or system.
15. This AprilAire UV unit is not waterproof. DO NOT INSTALL OUTDOORS OR IN WET LOCATION.
16. The use of a UV unit or system is a supplement to and not a substitute for standard infection control practices; users must continue to follow all current infection control practices, including those related to the cleaning and disinfection of environmental surfaces.
17. Check for existing holes in duct and repair prior to installation.
18. Always TURN OFF AND DISCONNECT the HVAC unit / system before attempting any service
19. Ensure ANY drilled holes and fasteners do not damage the AC EVAP Coil, Lines or any other components in the area.

For any inquiries, issues or concerns on a UV unit or system, contact:
AprilAire Customer Support: aprilaire.com/contact or Call: 800.334.6011

SAVE THESE INSTRUCTIONS

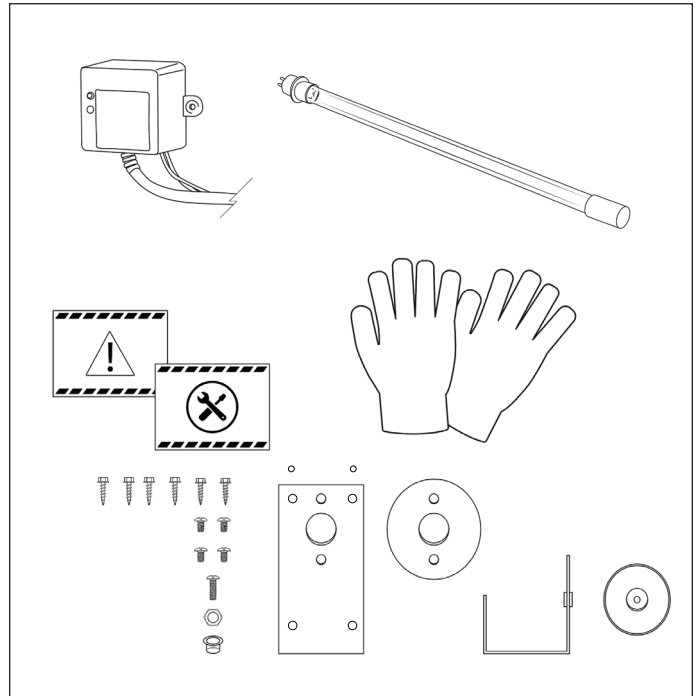
OPTIONAL ACCESSORIES AND KIT

- **Step Down Transformer** (AC) to convert a regular outlet (120 VAC) to 24 VAC if the necessary power (20VA minimum) is not available from your HVAC System: **120 VAC to 24 VAC 40VA AprilAire Part Number: 8029**

SETUP & INSTALLATION: UV-C LAMP

WHAT YOU WILL NEED:

- Utility knife
- Marker
- 3/8" fluted drill bit
- Phillips # 2 screwdriver
- Power Drill
- 1/4" Nut Driver
- 1" stepped metal drill bit
- Measuring Tape
- 18 gauge wiring and connectors



WHAT'S INCLUDED:

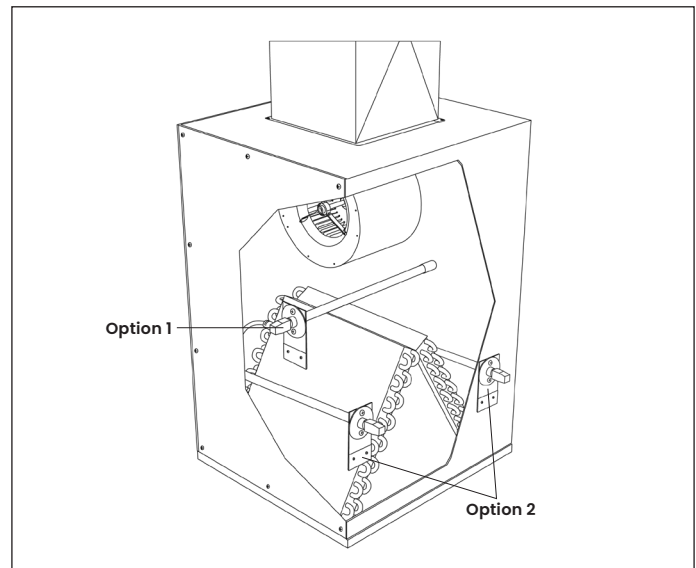
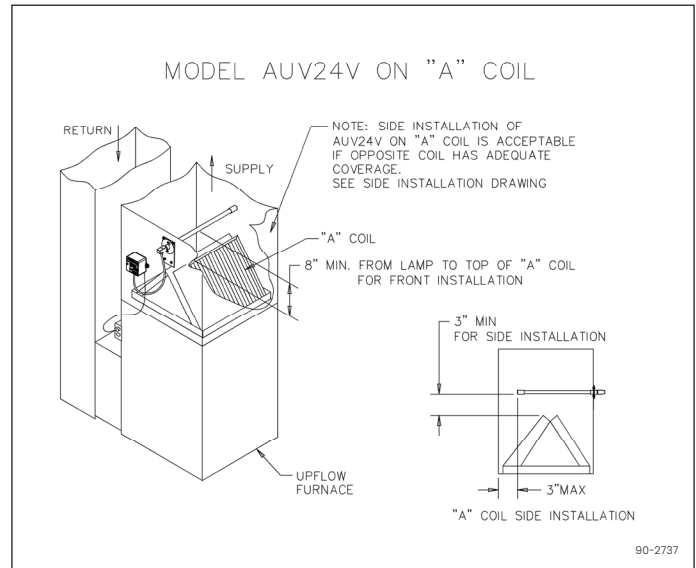
- Lamp Housing Assembly
- UVC Lamp Lamp
- Ballast
- UV caution decal
- Maintenance decal
- Pair of cotton gloves
- 2 self-tap Phillips screws
- 2 short Phillips screws
- 1 long Philips screw
- 6 hex head sheet metal screws
- Lamp retainer ring
- Viewing port insert

⚠ IMPORTANT WARNINGS PRIOR TO BEGINNING INSTALLATION

- Never look at UVC light while energized
- Disconnect and turn off power to all HVAC equipment prior to installation
- To avoid damaging equipment ensure adequately clear space exists behind mounting points, selected Lamp location, screws, and potential overshooting of drill bits when puncturing sheet metal.
- Do not over or under tighten screws as they may lose their holding power and lead to improper installation
- Ensure all light is contained within system. Use UV resistant sealing methods to block any potential light leakage points around cords or seams in ductwork

STEP BY STEP INSTALLATION GUIDE – EXTERIOR BRACKET METHOD

1. Drill a 1-inch hole at the desired Lamp installation location using the stepped drill bit. This position should be at least 3-inches above the evaporator coil.
 - a. Ensure ballast power cord will be able to reach Lamp power terminal and connect to a 24VAC power source with chosen Lamp position once ballast is securely mounted.
 - b. When installing the UV lamp in an air handler, position a single lamp off-center to avoid interference with the blower as shown in Option 1. If installing on the front face of the unit, install (2) UV lamps on either side of the A-coil as shown in Option 2.
2. Mount the back plate to the ductwork using included self-tapping sheet metal screws. The flat side of the bracket should contact the ductwork. Ensure the center Lamp hole aligns with the 1-inch hole to allow for Lamp installation.
3. Mount UVC Lamp in housing assembly. Start by lightly threading 2 included Philips screws into the Lamp retainer mounting points. While wearing protective gloves, insert the end opposite of the power terminals through the 1-inch hole until contact is made between the back plate and shaft flange. Align retainer ring mounting slot with previously installed screws and compress the Lamps shaft shoulder between the retainer ring and mounting plate. Twist the retainer ring and tighten down screws by hand.
4. Securely mount ballast within reach of the Lamp power terminals and 24VAC power source
5. Drill a 3/8" hole for view port such that the light from the powered Lamp will be visible once installed. Firmly press included plastic viewport piece into drilled hole. The flat side will be on the exterior of the sheet metal and the flange will completely contact the ductwork exterior. Pressing too hard may result in damage to the view port.
6. Wire 24VAC power to the ballast, ensure a minimum of 20VA is available for proper functionality
 - a. If using 24VAC from furnace control board
 - i. Connect the two black wires to the R and C terminals on HVAC Equipment
 - b. If using a separate 24VAC transformer
 - i. Install transformer per manufacturers specifications
7. Connect the ballasts right angled 4-hole plug to the UVC Lamps 4-pronged terminal. The connection is keyed and may require the power cord fitting be rotated 90 degrees to properly mate with the Lamp power terminals. Once connected, the cord may be rotated into the desired final position without disassembling the unit.
8. Restore power to all HVAC equipment and allow 30 seconds for equipment to reach steady state before checking LED indicator and view port for equipment status

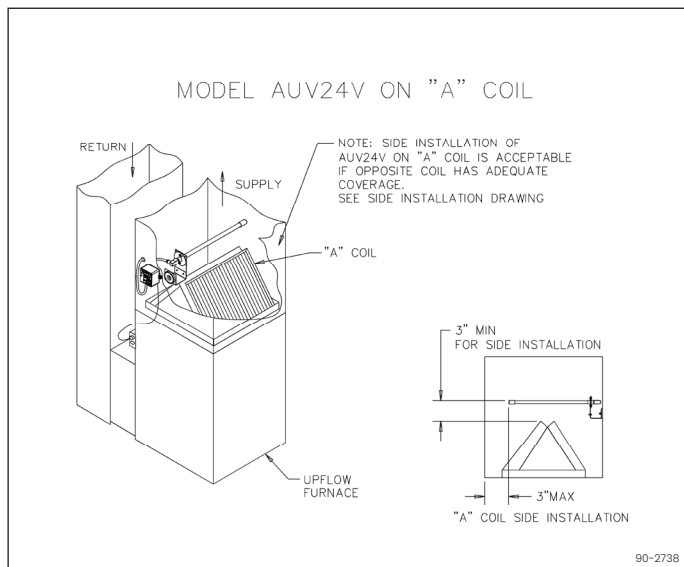


STEP BY STEP INSTALLATION GUIDE – INTERNAL MAGNET METHOD

1. Gain access to the ductwork interior located around the evaporator coil. If an existing entry way is not present, a new entryway may need to be created prior to installation.
2. Assemble offset bracket and magnet to the base plate using included hardware such that the main bracket screw boss is closest to the magnet.
3. Mount UVC Lamp in housing assembly. Start by lightly threading 2 included Philips screws into the Lamp retainer mounting points. While wearing protective gloves, insert the end opposite of the power terminals through the 1-inch hole until contact is made

between the back plate and shaft flange. Align retainer ring mounting slot with previously installed screws and compress the Lamps shaft shoulder between the retainer ring and mounting plate. Twist the retainer ring and tighten down screws by hand.

4. Connect the ballasts right angled 4-hole plug to the UVC Lamps 4-pronged terminal. The connection is keyed and may require the power cord fitting be rotated 90 degrees to properly mate with the Lamp power terminals. Once connected, the cord may be rotated into the desired final position without disassembling the unit.
5. Carefully position the assembled product at least 3 inches away from evaporator coil.
 - a. Ensure ballast power cord will be able to reach Lamp power terminal and connect to a 24VAC power source with chosen Lamp position once ballast is securely mounted.
6. Securely mount ballast within reach of the Lamp power terminals and 24VAC power source
7. Drill a 1" hole or notch the access panel to allow for the power cord to pass through the sheet metal once all ductwork is sealed. Be careful not to damage cord insulation on sharp metal edges.
8. Re-seal all ductwork or access panels opened for the installation to this point
9. Seal gap around cord.
10. Drill a 3/8" hole for view port such that the light from the powered Lamp will be visible once installed. Firmly press included plastic viewport piece into drilled hole. The flat side will be on the exterior of the sheet metal and the flange will completely contact the ductwork exterior. Pressing too hard may result in damage to the view port.
11. Wire 24VAC power to the ballast, ensure a minimum of 20VA is available for proper functionality
 - a. If using 24VAC from furnace control board
 - i. Connect the two black wires to the R and C terminals on HVAC Equipment
 - b. If using a separate 24VAC transformer
 - i. Install transformer per manufacturers specifications
 - ii. Connect 24VAC to the two black wires at the transformers output terminals
12. Restore power to all HVAC equipment and allow 30 seconds for equipment to reach steady state before checking LED indicator and view port for equipment status



MAINTENANCE/TROUBLESHOOTING

1. Please see QR code on back for details
2. If error codes 2-5 are shown, please contact your contractor or customer service
3. For 700 series humidifiers installed in direct proximity to exposure from a UV Lamp, be sure to inspect feed tube annually and replace if discolored, cracked, brittle, or has visible damage.

⚠ CAUTION

The user that changes or modifies the device without being approved by the party responsible for compliance may void the user's authority to operate the equipment.

NOTE: IF YOU EXPERIENCE A PROBLEM, PLEASE CONTACT CUSTOMER SERVICE FIRST OR SEE YOUR WARRANTY. DO NOT RETURN THE PRODUCT TO THE ORIGINAL PLACE OF PURCHASE. DO NOT ATTEMPT TO OPEN THE PRODUCT OR TAMPER WITH ITS COMPONENTS WITHOUT CONTACTING CUSTOMER SERVICE FIRST. DOING SO MAY VOID YOUR WARRANTY AND CAUSE PERSONAL INJURY OR DAMAGE TO THE PRODUCT.

If your product is not working properly, refer to the following.

CUSTOMER SERVICE

FOR ADDITIONAL GUIDANCE OR TO ORDER REPLACEMENT PARTS

PLEASE CONTACT YOUR CONTRACTOR OR APRILAIRE CUSTOMER SERVICE

Toll-Free Phone #: 800.334.6011

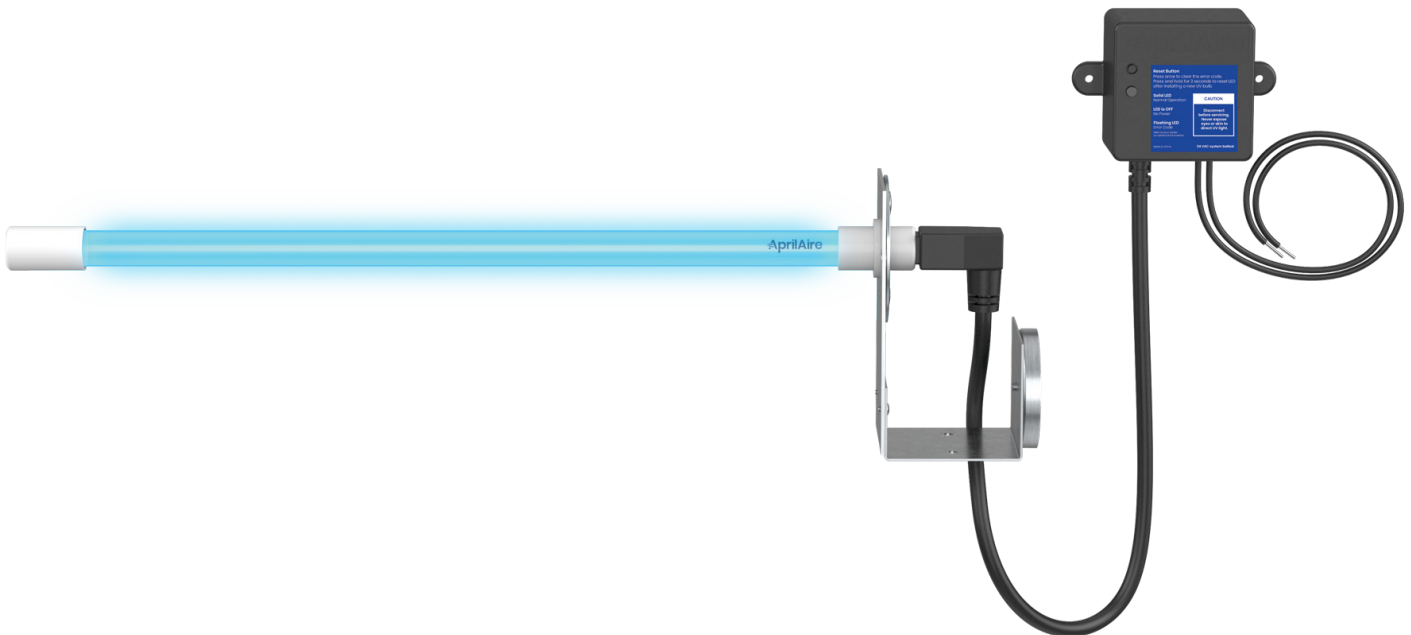
Website: aprilair.com/contact

CONTACT PAGE ON WEBSITE

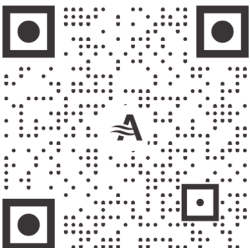
Please be sure to specify product name.
Replacement parts for this product

AUVRPB Regular intensity 16" UV lamp

8029 Step-down transformer 120VAC to 24VAC (40VA)



For full install instructions,
scan here:



B2210000 • 61002239 • 11.22

© 2022 AprilAire | aprilairpartners.com | 800.334.6011

AprilAire reserves the right to change specifications without notice.

AprilAire