

AprilAire® Ventilation

SUBMITTAL SHEET

6500 Series

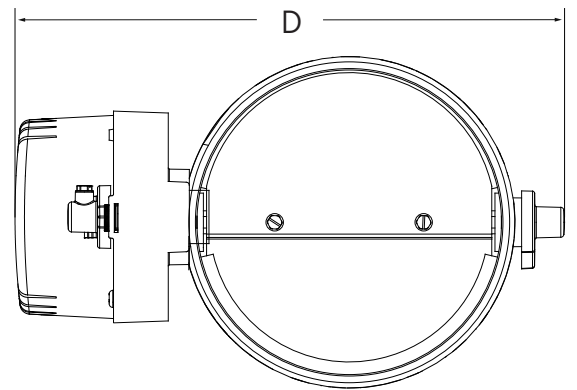
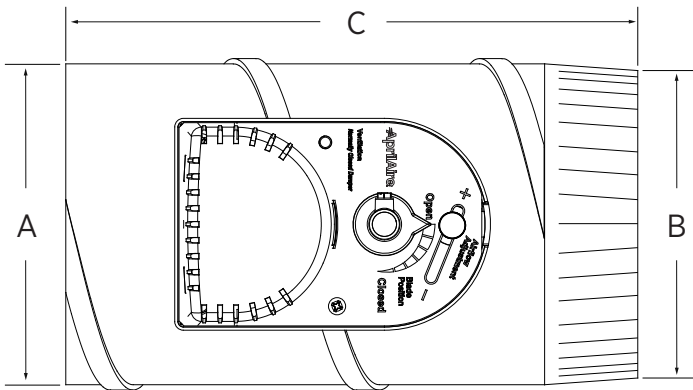
Round Ventilation Damper

Project: _____ Dealer: _____

Architect: _____ Engineer: _____

Contractor: _____ Location: _____

Suppliers: _____ Date: _____



90-2159

PART #	SIZE	A	B	C	D	SHIPPING WEIGHT
6506	6"	6.03" (153mm)	5.77" (147mm)	10.75" (273mm)	10.38" (264mm)	5 lbs.
6508	8"	8.03" (204mm)	7.77" (197mm)	10.75" (273mm)	12.38" (314mm)	6 lbs.
6510	10"	10.03" (255mm)	9.77" (248mm)	10.75" (273mm)	14.38" (365mm)	8 lbs.
6512	12"	12.03" (306mm)	11.77" (299mm)	12.75" (324mm)	16.38" (416mm)	10 lbs.

NOTES:

Applications: Compatible with AprilAire® Ventilation and Dehumidification systems. Dampers are designed to work in low pressure systems (less than 1.0" w.c.).

Electrical Ratings: Two wire; power open/spring close; 24 VAC 6W, 60Hz, 10VA. Synchronous type motor, impedance protected for continuous stall capability without electrical or mechanical damage. Damper comes with motor mounted.

The submittal is intended to show general, overall product dimensions and provide guidance for installation clearance. Drawings are not to scale. Ensure submittals are current. AprilAire reserves the right to make product changes without notification or obligation.