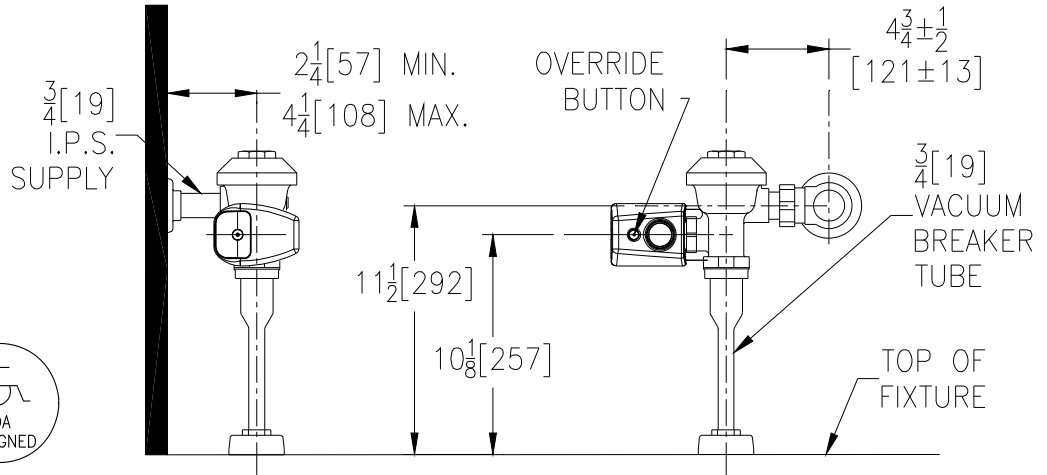




ZER6003PL-CCP

Sensor Operated Battery Powered Flush Valve For 3/4" Urinals



Flow Options

- EWS 0.5 gpf Extra Water Saver
- WS1 1.0 gpf Low Consumption
- WS 1.5 gpf Water Saver

Accessories

- TFB Triple Filtered By-pass
- YJ Split Ring Pipe Support
- YK Solid Ring Pipe Support
- _____ Other

ENGINEERING SPECIFICATIONS

Exposed, quiet diaphragm-type, chrome plated flushometer valve with a polished exterior.

- Zurn's AquaFlush® TPE diaphragm
 - Linear filtered by-pass
 - Chloramine resistant
 - Dual seal
- Low lead brass alloy
- Sensor Module
 - Impact Resistant Chrome Plated Housing
 - ADA compliant
 - 6 VDC Motor Actuator
 - Battery Powered
 - Override Button
- Control Stop
 - Internal siphon-guard protection
 - Vandal resistant stop cap
 - Sweat solder kit
 - Cast wall flange with set screw
- Vacuum Breaker
 - High back pressure
 - One piece hex coupling nut
- Internal seals
 - Chloramine resistant
- Adjustable tailpiece
- Spud coupling and flange for top spud connection

Architectural/Engineering Approval

The information contained in this document is subject to change without notice.
Please contact Zurn for most up to date information.

ZURN INDUSTRIES, LLC. ♦ COMMERCIAL BRASS OPERATION
 5900 ELWIN BUCHANAN DRIVE ♦ SANFORD NC 27330
 PHONE: 1-800-997-3876 ♦ FAX: 919-775-3541
 WWW.ZURN.COM
 IN CANADA: ZURN INDUSTRIES LIMITED
 3544 NASHUA DRIVE ♦ MISSISSAUGA, ONTARIO L4V1L2
 PHONE: 905-405-8272 FAX: 905-405-1292

AquaVantage® is a registered trademark of Zurn Industries, LLC.
AquaSense® is a registered trademark of Zurn Industries, LLC.

Rev.A
Dwg. No. 309028

Date: 3/14/12
Product No. ZER6003PL-CCP