



ZER6003AV-TM

Sensor Operated Urinal Flush Valve

TAG _____

Architectural/Engineering Specification:

The ZER EZ Gear-Driven Urinal Flush Valve is performance engineered with the dual action of the ceramic disc cartridge and motor gear-driven operation. Its polished chrome-plated finish, modern top-mount design, and quiet diaphragm operation are ideal for new and retrofit commercial restroom applications.

Product Features:

- Zurn's TPE diaphragm
 - Clog resistant bypass
 - Chloramine resistant
- Proprietary dezincification-resistant, low lead-brass alloy
- Actuator
 - Electronic automatic sensor
 - Gear-driven ceramic cartridge
- Manual Override Button
- Control Stop
 - Internal siphon-guard protection
 - Vandal-resistant stop cap
 - Sweat solder kit
 - Cast wall flange with set screw
- Vacuum Breaker
 - High back pressure
 - One piece hex coupling nut
- Chloramine-resistant internal seals
- Adjustable tailpiece
- Spud coupling and flange for top spud connection
- Operating Pressure
 - 25 psi (running) - 80 psi (static)
 - Higher running pressure may be required for some fixtures. Consult fixture manufacturer for details.

Compliance and Certification:

- ADA Compliant
- ASSE 1037/ASME A112.1037/CSA B125.37
- cUPC
- Texas Accessibility Standard (TAS)
- WaterSense Compliant



ADA
DESIGNED



c



Meets
EPA
Criteria

* This product should be used with a WaterSense labeled counterpart with a compatible flush volume to ensure that the entire system meets the requirements for water efficiency and performance.



Flow Options:

	Flush Volume	WaterSense Labeled
-ULF*	0.125 gpf	✓
-EWS*	0.5 gpf	✓
-WS1	1.0 gpf	

Power Options:

-Battery (Standard)

Suffix Options:

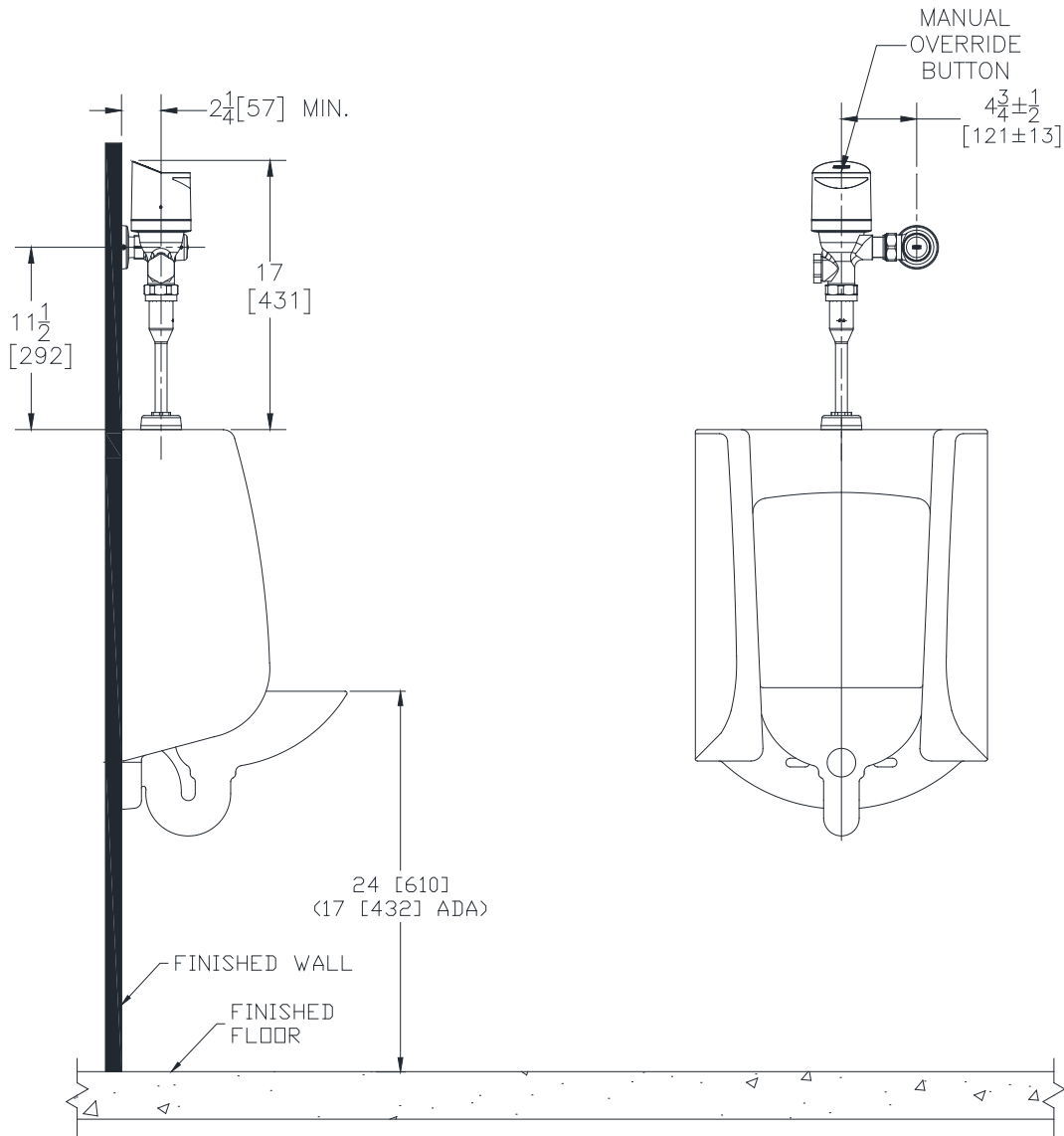
- YJ Split Ring Pipe Support
- YK Solid Ring Pipe Support
- Other

Meets the American Disabilities Guidelines and ANSI A117.1 requirements when installed according to these requirements. In Canada - Consult local codes and standards.

Architectural/Engineering Approval

The information contained in this document is subject to change without notice. Please contact Zurn for most up to date information.

Rough-in dimensions/Overview dimensions



Meets the American Disabilities Guidelines and ANSI A117.1 requirements when installed according to these requirements. In Canada - Consult local codes and standards.