



Z6913-XL

AquaSense Battery Powered Faucet

TAG _____

Architectural/Engineering Specification:

Zurn AquaSense® faucets are ideal for high-use applications where durability and hands-free operation are necessary. ADA compliant, battery powered, polished chrome-plated cast brass sensor faucet with infrared proximity sensor for retrofit and new construction. Unit is furnished with a standard 1.5 GPM aerator, and mounting hardware.

Zurn Lead Free products (-XL) is the line of durable, high quality brass faucets and fixtures that are designed and manufactured to comply with Section 1417 of the Safe Drinking Water Act (SDWA) which mandates the weighted average lead content of no more than 0.25% of the wetted surface.

Product Features:

- Infrared convergence-type proximity sensor
- 30 second time out feature
- Chrome-plated Cast Brass Body
- In-line filter
- 4 "AA" batteries
- Inlet for a 1/2" ball riser

Suffix Options:

- ADM Above Deck Mixer
- ADM-1 Above Deck Mixer w/4" Cover Plate
- ADM-2 Above Deck Mixer w/8" Cover Plate
- CP4 Cover Plate 4"[102] Centers
- CP8 Cover Plate 8"[203] Centers
- DSA Drug Screening Applications
- H4 Wrist Blade handle for ADM
- MV Temperature Mixing Valve
- SH Supply Hoses for Mixing Valve
- TMV-1 Thermostatic Mixing Valve for Single Faucets

Power Supply Choices (Sold Separately):

- ACA 6 VDC Plug-In Power Converter
- HW6 Hardwired Power Converter

Optional Power Supply Accessories:

- CWB Connector Wire for Plug-In Power Converter
- MJ Mini Junction Box

Compliance and Certification:

- Low-Lead Compliant
- ADA Compliant



XL LEAD FREE

ADA DESIGNED

WaterSense Made in the USA EPA Certified



Aerator Options:

	Flowrate GPM [LpM]	Vandal Resistant	WaterSense* Labeled	Outlet Type
-ES	1.5[5.7]	✓	✓	Spray
-FS	0.5[1.9]	✓		Spray
-JS	1.5[5.7]	✓	✓	Laminar
-K	1.0[3.8]	✓	✓	Laminar
-LS	1.0[3.8]	✓		Aerator
-MS	0.35[1.3]	✓		Spray
-N	0.5[1.9]	✓		Laminar

*This device is WaterSense labeled when used with the appropriate flow rate and certified for residential and private restrooms.

NOTE: For Hardwire applications furnish P6000-HW6 power converter. Order P6000-HW6 power converter separately. The P6000-HW6 and P6000-MJ will power up to 8 sensor faucets.

Architectural/Engineering Approval

The information contained in this document is subject to change without notice. Please contact Zurn for most up to date information.





Z6913-XL

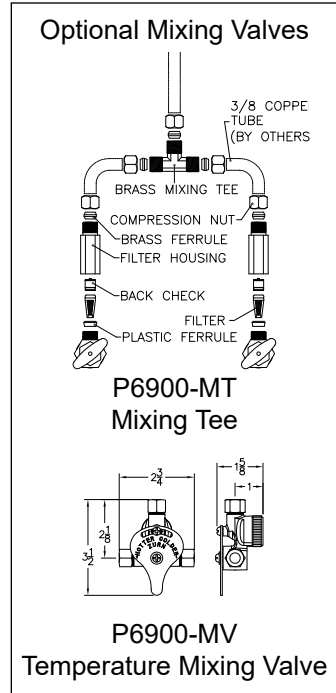
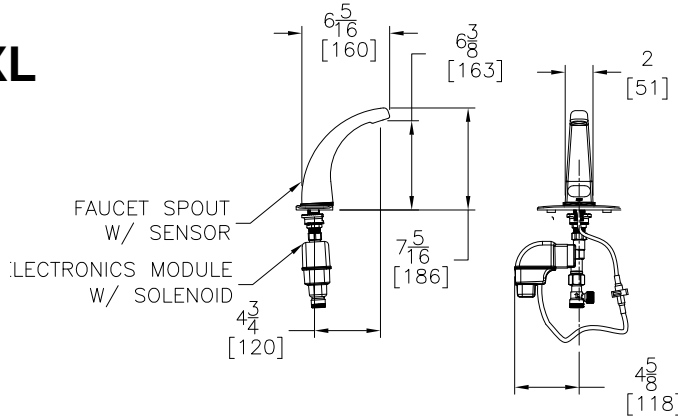
AquaSense Battery Powered Faucet

TAG _____

TYPICAL Z6913-XL

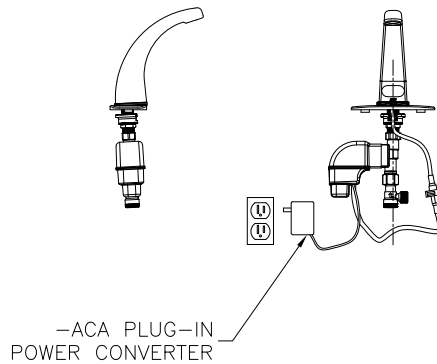
AquaSense Battery Powered Faucet

NOTE: Recommended through hole diameter to properly mount the spout/shank is 1-1/8" to 1-1/4".



TYPICAL Z6913-XL-ACA

AquaSense Plug-In Powered Faucet



TYPICAL Z6913-XL-CWB

AquaSense Hardwire Powered Faucet

Optional:
* Optional -MJ mini junction box for connecting up to 8 faucets

NOTE: MUST USE EITHER ZURN P6000-HW6 HARDWIRE POWER CONVERTER OR ZURN P6000-ACA PLUG-IN POWER CONVERTER TO ENSURE PROPER OPERATION. USING A POWER CONVERTER OTHER THAN ZURN MAY RESULT IN OPERATION MALFUNCTION OR UNIT FAILURE.

