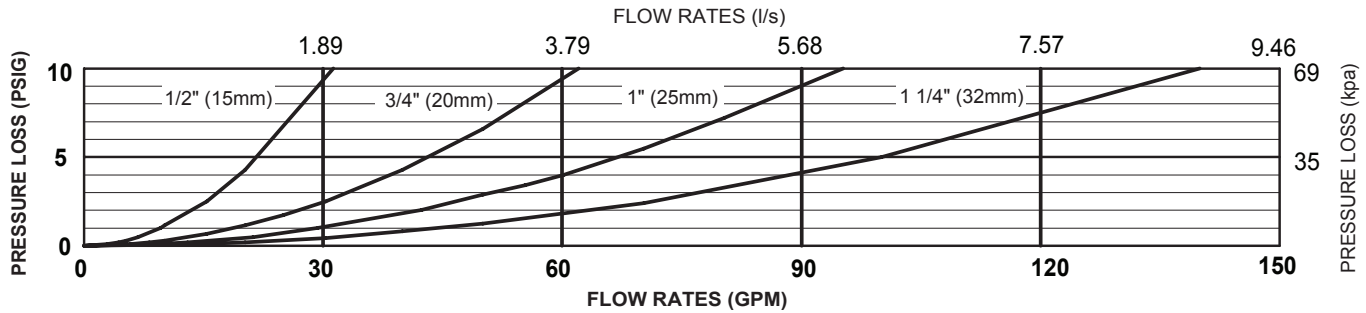
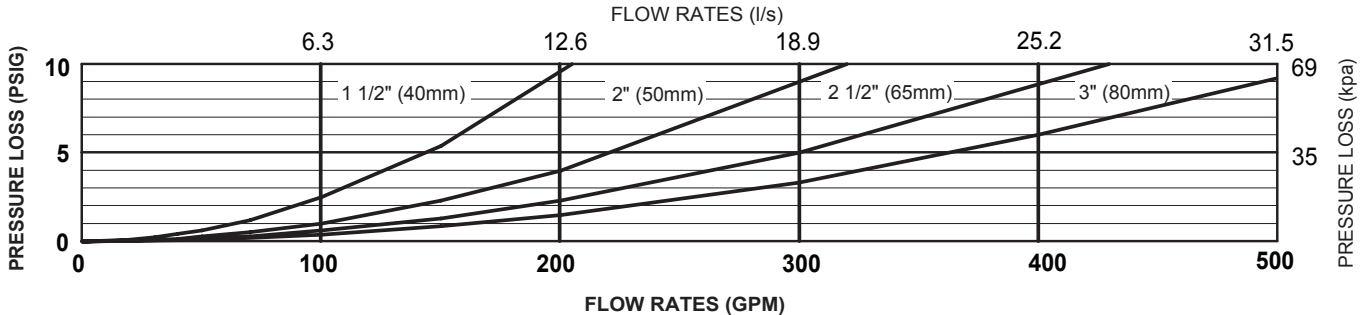


FLOW CHARACTERISTICS MODEL SXL 1/2" thru 1 1/4" (STANDARD & METRIC)



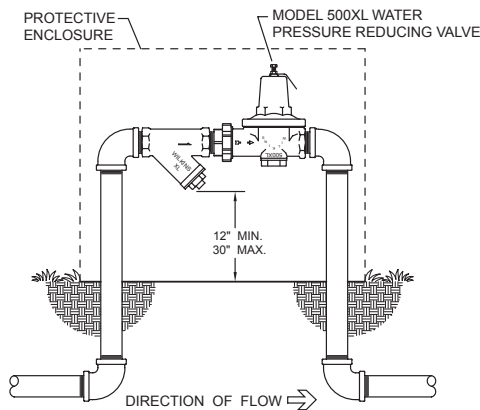
MODEL SXL 1 1/2" thru 3" (STANDARD & METRIC)



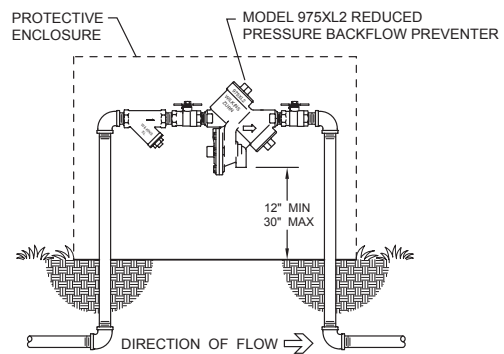
TYPICAL INSTALLATION

Local codes shall govern installation requirements. Unless otherwise specified, the assembly shall be mounted in accordance with the latest edition of the Uniform Plumbing Code. If installed below grade, be certain adequate drainage is provided to prevent the device from being submerged. Horizontal installation with the strainer cap facing downward is the preferred installation orientation; however the strainer will provide protection in any orientation.

Pipe size	Capacity thru Schedule 40 Pipe			
	5 ft/sec	7.5 ft/sec	10 ft/sec	15 ft/sec
1/8"	1	1	2	3
1/4"	2	2	3	5
3/8"	3	4	6	9
1/2"	5	7	9	14
3/4"	8	12	17	25
1"	13	20	27	40
1 1/4"	23	35	47	70
1 1/2"	32	48	63	95
2"	52	78	105	167



OUTDOOR INSTALLATION



OUTDOOR INSTALLATION

SPECIFICATIONS

The "Y" type strainer shall be a manufactured import ANSI 3rd party certified to comply with states' lead plumbing law 0.25% maximum weighted average lead content requirement. The main body and cover shall be low lead cast bronze (ASTM B 584), the strainer screen shall be 20 mesh 300 series stainless steel and accessible for maintenance without removing the device from the line. The "Y" type strainer shall be a WILKINS Model SXL.