

quality . service
innovation . integrity

3000 High Temperature



"The color green is a registered trademark of Zoeller Pump Co."

Features

This series of submersible pumps is designed for use in residential or commercial dewatering applications and can be used to transfer groundwater and wastewater. These durable cast iron pumps include a powder coated epoxy finish to prevent corrosion, and are designed to meet specifications with assurance by using high temperature parts rated for intermittent 200° F (93° C) contact, ensuring a long service life. As with every Zoeller® pump, each one is 100% factory tested to ensure quality and reliability for years of trouble-free performance! This attention to detail is an inherent feature of every model in this pump series, making it one of the most reliable in the industry.

Specifications

Motor Characteristics

Motor	1/2 HP
Voltage	115 or 230 V
Phase	1 Ph
Hertz	60 Hz
RPM	1725 or 3450 RPM
Amps	4.7 - 15.5 Amps

Pump Characteristics

Operation	Automatic or nonautomatic
Auto On/ Off Points	Adjustable
Discharge Size	1 1/2" - 3"
Solids Handling	1/2" - 2" (13 mm - 51 mm)
Cord Length	15' (5 m) standard
Cord Type	16-3 SOOW/14-3 SOOW (3161 & 3163)
Max Head	60' (18.3 m)
Max Flow Rate	115 GPM (435 LPM)
Max Operating Temp	200° F (93° C)
Cooling	Oil filled
Motor Protection	High-temperature thermal overload

Materials Characteristics

Cap	Cast iron
Motor Housing	Cast iron
Pump Housing	Cast iron
Base	Cast iron
Upper Bearing	Varies based on package
Lower Bearing	Varies based on package
Mechanical Seals	Carbon and NI-resist w/ Viton elastomers
Impeller Type	Non-clogging vortex
Impeller	Cast iron or bronze
Hardware	Stainless steel
Motor Shaft	AISI cold rolled steel
Gasket	High-temperature Viton

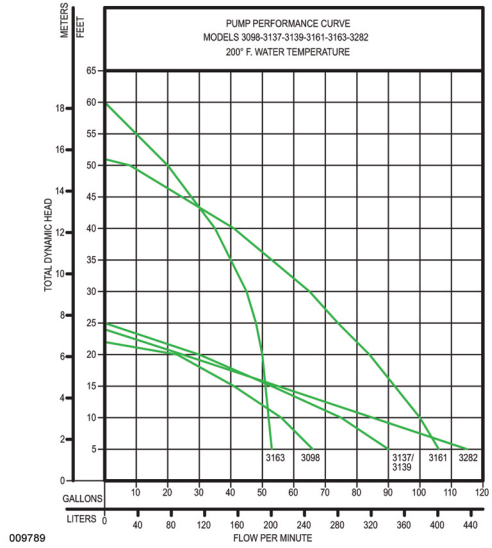
60 Hz



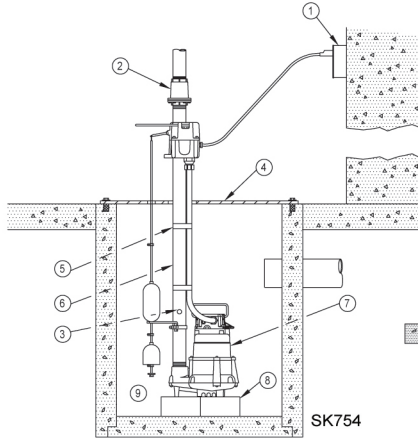
PUMP COMPANY

Zoeller Family of Water Solutions™

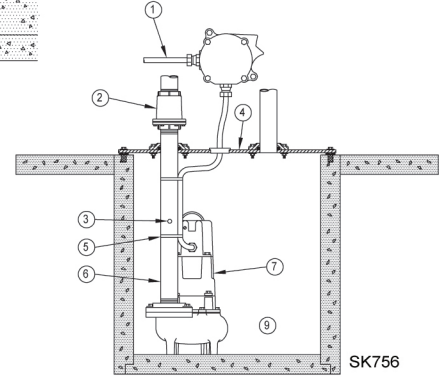
3000 High Temperature



Typical High Temp Auto Installation



Typical High Temp Nonauto Installation



Model

Model Number	Mode	Volts	Phase	Amps	HP	Hz	Lbs	Kg
M3098	Auto	115	1	9.4	1/2	60	52	24
N3098	Non	115	1	9.4	1/2	60	49	22
D3098	Auto	230	1	4.7	1/2	60	52	24
E3098	Non	230	1	4.7	1/2	60	49	22
M3137	Auto	115	1	10.7	1/2	60	57	26
N3137	Non	115	1	10.7	1/2	60	53	24
D3137	Auto	230	1	5.8	1/2	60	57	26
E3137	Non	230	1	5.8	1/2	60	53	24
M3161	Auto	115	1	15.5	1/2	60	87	39
N3161	Non	115	1	15.5	1/2	60	83	38
D3161	Auto	230	1	7.0	1/2	60	87	39
E3161	Non	230	1	7.0	1/2	60	83	37
M3163	Auto	115	1	15.0	1/2	60	87	39
N3163	Non	115	1	15.0	1/2	60	83	37
D3163	Auto	230	1	7.5	1/2	60	87	39
E3163	Non	230	1	7.5	1/2	60	83	37
M3282	Auto	115	1	10.3	1/2	60	90	41
N3282	Non	115	1	10.3	1/2	60	86	39
D3282	Auto	230	1	5.0	1/2	60	90	41
E3282	Non	230	1	5.0	1/2	60	86	39

Automatic models have 3' (0.9 m) conduit. Nonautomatic models have 6' (1.8 m) conduit.

Additional cord and conduit lengths are available in 1' (0.3 m) increments. 2" or 3" flanges are available for 3160 series. 3" discharge is available for model 3282.

Your Peace of Mind is Our Top Priority®
 3649 Cane Run Rd | Louisville, KY 40211 USA

+1 502-778-2731 | 1-800-928-7867 | Fax: +1 502-774-3624

www.zoeller.com