



DATA SUBMITTAL

Floor Mounted
Hydro-Plus ZHP
Well Tanks

Models: ZHP200F – ZHP451 Date: 4/2025

Job Name: _____	Submitted By: _____	Date: _____
Job Location: _____	Approved By: _____	Date: _____
_____	Order No.: _____	Date: _____
Engineer: _____	Notes: _____	_____
Contractor: _____	_____	_____
Sales Rep.: _____	_____	_____

Description

Zilmet floor mounted Hydro Plus Well Tanks come with a factory precharge of 38 PSIG. The precharge is field adjustable. These tanks have a maximum working pressure of 150 PSIG, a stainless steel side connection, a butyl diaphragm, and an epoxy powder-coated exterior paint in almond color. NSF61 certified.

Construction:

Shell: Carbon Steel
Connection: Stainless Steel
Factory Precharge: 38 PSIG
Membrane: Butyl
Color: Almond

Performance Specifications

Maximum Design Temperature: 210°F
Maximum Design Pressure: 150 PSIG

Specialty Tanks

Model Number	Volume (gal)	UPC Code	Tagging Information	Quantity
ZHP200F	13.2	5010562		
ZHP202	21.1	5010272		
ZHP203	27.7	5010289		
ZHP204	39.6	5010296		
ZHP250	52.8	5010838		
ZHP251	66.0	5010302		
ZHP302	79.3	5010845		
ZHP350	105.7	5010319		
ZHP351	119.0	5046998		
ZHP400	132.1	5010852		
ZHP451	158.5	5010326		
ZHP24H**	6.3	5043751		
ZHP200BH**	13.2	5010265		
ZBP202BV*	21.1	5010555		
ZHP202BH**	21.1	5010814		
ZHP202SM***	21.1	5010821		

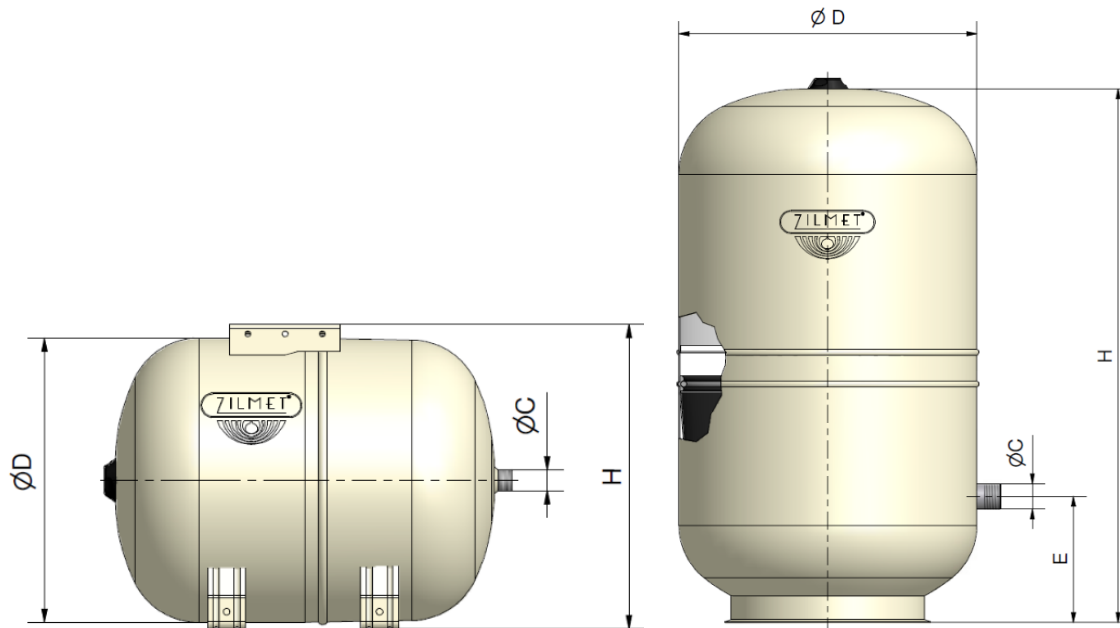
*Vertical tank welded pump bracket - **Horizontal tank welded pump bracket - ***Space Maker Horizontal



DATA SUBMITTAL

Floor Mounted
Hydro-Plus ZHP
Well Tanks

Models: ZHP200F – ZHP451 Date: 11/2021



Model Number	Capacity (gal)	Diameter (in)	Height (in)	Weight (lbs)	Connection height (in)	Connection Size (in)	System Drawdown	
							30-50 PSIG	40-60 PSIG
ZHP200F	13.2	15.0	19.9	25	6.0	1"	4.5	3.9
ZHP202	21.1	17.7	23.9	35	5.9	1"	7.2	6.2
ZHP203	27.7	19.7	26.2	40	6.5	1 ¼"	9.5	8.2
ZHP204	39.6	19.7	35.3	54	8.5	1 ¼"	13.5	11.7
ZHP250	52.8	23.6	32.0	64	8.9	1 ¼"	18.0	15.6
ZHP251	66.0	24.8	37.7	79	9.6	1 ¼"	22.5	19.5
ZHP302	79.3	24.8	43.5	114	9.6	1 ¼"	27.0	23.4
ZHP350	105.7	24.8	57.1	128	9.6	1 ¼"	36.0	31.2
ZHP351	119.0	29.5	42.8	158	11.4	1 ¼"	40.6	35.1
ZHP400	132.1	29.5	52.8	175	11.4	1 ¼"	45.0	39.0
ZHP451	158.5	29.5	61.5	182	11.4	1 ¼"	54.0	46.8
ZHP24H**	6.3	13.0	15.0	13		1"	2.2	1.9
ZHP200BH**	13.2	15.0	16.5	20		1"	4.5	3.9
ZBP202BV*	21.1	17.7	24.9	37	5.9	1"	7.2	6.2
ZHP202BH**	21.1	17.7	19.1	37		1"	7.2	6.2
ZHP202SM***	21.1	17.7	18.1	35		1"		6.2

*Vertical tank welded pump bracket - **Horizontal tank welded pump bracket - ***Space Maker Horizontal