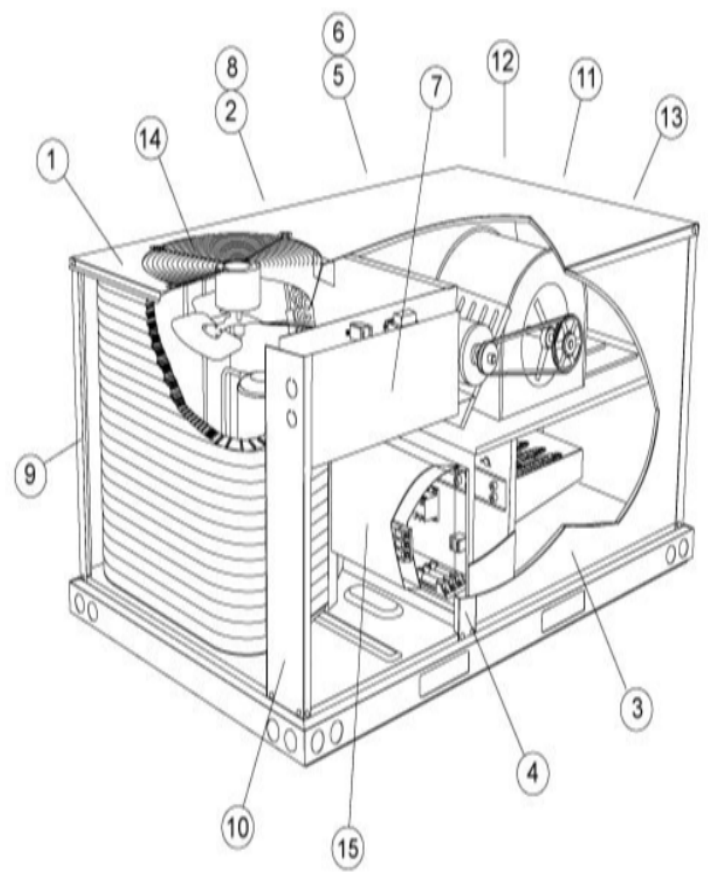


COOLING-PACKAGE

ZCA036, 048, 060



Revision Number - 1

*OPTIONAL PARTS-FACTORY+ FIELD INSTALLED

Callout	Name	Quantity	Description
	SWITCH-LO AMBIENT Cat #: 38M78 Model/Part #: 38M7801	1	SWITCH, PRESSURE LOW AMBIENT R410A
	RELAY Cat #: 56L68 Model/Part #: 56L6801	1	SPDT,24V
KIT 1	KIT - LOW AMBIENT (ZG/ZC) Cat #: 99W67 Model/Part #: 99W67	1	LOW AMBIENT KIT INCL NEXT 4 PARTS

BLOWER PARTS

Callout	Name	Quantity	Description
	BUSHING Cat #: 47W85 Model/Part #: 100073-04	1	BUSHING, SPLIT TAPERED, (ZAA02)
	HARNESS - BLOWER Cat #: 10A22 Model/Part #: 609495-01	1	HARNESS -BLOWER (3 PH)
	HARNESS - BLOWER 1PH Cat #: 10M30 Model/Part #: 609495-02	1	HARNESS - BLOWER (1 PH)
	MOUNT-MOTOR PLATE Cat #: 609635-01 Model/Part #: 609635-01	1	MOUNT-MOTOR
	KEY Cat #: 41G52 Model/Part #: LB-21259	1	KEY, 1/4
51	MOTOR-BLOWER Cat #: 79W56 Model/Part #: 103201-01	1	1-1/2HP,1755RPM,208-230/60/3
51	MOTOR-BLOWER Cat #: 79W57 Model/Part #: 103201-02	1	1-1/2HP,1755RPM,460/60/3, 380-420/50/3

Callout	Name	Quantity	Description
51	MOTOR-BLOWER Cat #: 79W58 Model/Part #: 103201-03	1	1-1/2HP,1750RPM,575/60/3
51	MOTOR-BLOWER Cat #: 80W76 Model/Part #: 103202-04	1	2HP,1750RPM,208-230/60/3
51	MOTOR-BLOWER Cat #: 80W77 Model/Part #: 103202-05	1	2HP,1750RPM,460/60/3,380-420/50/3
51	MOTOR-BLOWER Cat #: 80W78 Model/Part #: 103202-06	1	2HP,1750RPM,575/60/3
51	MOTOR-BLOWER Cat #: 14N16 Model/Part #: 104135-02	1	1-1/2HP,1755RPM,208-230/60/1
51	MOTOR-BLOWER KIT Cat #: 86W88 Model/Part #: 609397-07	1	2.00/0.89HP,208-230/60/3 (2 SPD)
51	MOTOR-BLOWER KIT Cat #: 86W89 Model/Part #: 609397-08	1	2.00/0.89HP,460/60/3 (2 SPD)
51	MOTOR-BLOWER KIT Cat #: 91W02 Model/Part #: 609397-09	1	2.00/0.89HP,575/60/3 (2 SPD)
52	PULLEY-BLOWER Cat #: 26W71 Model/Part #: 100788-03	1	1-5/8" BORE, 7.75" O.D. (ZAA02)
52	PULLEY-BLOWER Cat #: 31K68 Model/Part #: 31K6801	1	1" BORE, 5.75 O.D. (ZAA03,04,05)
52	PULLEY-BLOWER Cat #: 37L47 Model/Part #: 37L4701	1	1" BORE, 6.75 O.D. (ZAA01)
53	BELT, A50 Cat #: 59W26 Model/Part #: 100245-29	1	A50 (ZAA03)
53	BELT, A53 Cat #: 100245-40 Model/Part #:	1	A53 (ZAA02)

Callout	Name	Quantity	Description
	100245-40		
53	BELT Cat #: 13H01 Model/Part #: 13H0101	1	A51 (ZAA01,04,05)
54	BRACKET Cat #: 49W49 Model/Part #: 100817-02	2	BEARING
55	HOUSING-BLOWER 15 X 9 Cat #: 52W52 Model/Part #: 102423-01	1	HOUSING-BLOWER 15 X 9
55	HOUSING-BLOWER 15X9 PAINTED Cat #: 52W53 Model/Part #: 102423-02	1	HOUSING-BLOWER 15X9 (PAINTED)
56	WHEEL-BLOWER Cat #: 55W86 Model/Part #: LB-29333BDK	1	BLO-WHEEL 15 X 9 X 1/2
57	*** OBS *** PLATE-CUTOFF 15 X 9 Cat #: 102422-01 Model/Part #: 102422-01	1	PLATE-CUTOFF
57	BRACKET-MOUNTING BEARING Cat #: 52W61 Model/Part #: 102424-01	1	BRACKET BEARING
57	SHAFT-BLOWER Cat #: 31K74 Model/Part #: 31K7401	1	SHAFT, BLOWER 1" DIA. X 18" LONG
58	BEARING Cat #: 95M00 Model/Part #: 100639-02	2	BEARING,
59	PULLEY-MOTOR Cat #: 31K69 Model/Part #: 31K6901	1	7/8" BORE, 3.15 O.D.(ZAA01)
59	PULLEY-MOTOR Cat #: 79J03 Model/Part #: 79J0301	1	7/8" BORE, 3.75 O.D. (ZAA02,03)
59	PULLEY-MOTOR Cat #: 56930 Model/Part #: P-8-1488	1	7/8" BORE, 4.15 O.D. (ZAA04)
59	PULLEY-MOTOR Cat #: 56963 Model/Part #: P-8-2187	1	7/8" BORE, 4.75 O.D. (ZA05)

CABINET PARTS

Callout	Name	Quantity	Description
	ORIFICE Cat #: 98M16 Model/Part #: 100001-01	1	ORIFICE RING (22 I.D. X 6)
	FILTER-AIR Cat #: 20W31 Model/Part #: 100509-01	2	FILTER, AIR 20X20X2 MERV 4
	FILTER-AIR Cat #: 20W32 Model/Part #: 100509-02	4	FILTER, AIR 16X20X2 MERV 4
	GUARD-OUTDOOR COIL ZC/ZG/ZH TALL CABINET Cat #: 103811-03 Model/Part #: 103811-03	1	OUTDOOR COIL HAIL GUARD
	RELAY Cat #: 56L68 Model/Part #: 56L6801		RELAY (LOW LEAK)
	PANEL ACCESS Cat #: 609489-01 Model/Part #: 609489-01	1	PANEL OD HEAT ACCESS
	ASSY REPAIR PART COMPRESSOR MULLION Cat #: 610539-04 Model/Part #: 610539-04	1	COMPRESSOR MULLION FILTER
	PANEL Cat #: 64E01 Model/Part #: 610541-02	1	COVER-CONTROL BOX
	PANEL Cat #: 58E02 Model/Part #: 610706-01	1	SERVICE, FILTER/COMP
	PVC DRAIN TRAP KIT Cat #: 76W26 Model/Part #: LB-107882D	1	PVC DRAIN TRAP KIT
	COPPER DRAIN TRAP KIT Cat #: 76W27 Model/Part #: LB-107882E	1	COPPER DRAIN TRAP KIT
1	PANEL-TOP Cat #: 11L21 Model/Part #: 610187-02	1	TOP PANEL
3	PANEL Cat #: 99W39 Model/Part #: 610191-03	1	HEAT ACCESS PANEL
4	FILTER ACCESS PANEL REPAIR PART Cat #: 610190-09 Model/Part #: 610190-09	1	FILTER ACCESS PANEL (ECON)
5	FILTER ACCESS PANEL REPAIR PART Cat #: 610190-07 Model/Part #: 610190-07	1	FILTER ACCESS PANEL (NO ECON)

Callout	Name	Quantity	Description
5	PANEL Cat #: 99W40 Model/Part #: 610192-01	1	ACCESS PANEL (NO ECONO)
6	PANEL Cat #: 54E01 Model/Part #: 610192-02	1	ACCESSORY ACCESS
9	ASSY-REPAIR PART COND. CORNER MULLION Cat #: 11L40 Model/Part #: 610542-10	1	MULLION CORNER REAR
10	ASSY-REPAIR PART COND. CORNER MULLION Cat #: 11L28 Model/Part #: 610542-08	1	MULLION CORNER FRONT
11	REPAIR PARTS SUPPLY / RETURN PANEL Cat #: 99W34 Model/Part #: 610189-02	1	SUPPLY / RETURN PANEL
12	COVER,DUCT Cat #: 99W31 Model/Part #: 610188-01	1	DUCT COVER RETURN
13	COVER,DUCT Cat #: 99W32 Model/Part #: 610188-02	1	DUCT COVER SUPPLY
14	GRILLE-DISCHARGE Cat #: 97M69 Model/Part #: 100062-02	1	GRILLE (DISCHARGE)
15	PANEL FRONT MULLION Cat #: 609340-01 Model/Part #: 609340-01	1	MULLION CONTROL FRONT

CONTROL PANEL PARTS

Callout	Name	Quantity	Description
	FUSE Cat #: 10F78 Model/Part #: 103769-01	1	FUSE (AUTO) - 3 AMP
	SUPPORT-RAIL BLOWER Cat #: 602401-01 Model/Part #: 602401-01	1	SUPPORT-RAIL BLOWER
	CHANNEL - RIGHT Cat #: 602974-01 Model/Part #: 602974-01	1	BLO FRAME CHANNEL
	FRAME (BLOWER MOTOR MOUNT) LEFT Cat #: 608425-01 Model/Part #: 608425-01	1	BLO MOUNTING RAIL (LEFT)
	FRAME (BLOWER MOTOR MOUNT) RIGHT	1	BLO MOUNTING RAIL

Callout	Name	Quantity	Description
	Cat #: 608426-01 Model/Part #: 608426-01		(RIGHT)
	MOUNT-MOTOR PLATE Cat #: 609635-01 Model/Part #: 609635-01	1	MOUNT-MOTOR PLATE
	MOUNT-MOTOR SUPPORT PLATE Cat #: 609636-01 Model/Part #: 609636-01	1	MOUNT-MOTOR SUPPORT PLATE
57	SHAFT-BLOWER Cat #: 31K74 Model/Part #: 31K7401	1	SHAFT, BLOWER 1" DIA. X 18" LONG
C1	CAPACITOR-FAN Cat #: 22W78 Model/Part #: 100600-01	1	5 MFD @370V (575V)
C1	CAPACITOR-RUN 7.5 MFD @ 440V VAC OVAL Cat #: 79W30 Model/Part #: 100600-09	1	CAPACITOR-RUN 7.5 MFD@440V V (ALL VOLTS)
DL3	TIMER RELAY - TIME DELAY Cat #: 14Y92 Model/Part #: 103047-05	1	DELAY,BLOWER OFF
DL50	TIMER RELAY - TIME DELAY Cat #: 14Y89 Model/Part #: 103047-04	1	DELAY,BLOWER HI?LO SWITCHING
K1	CONTACTOR Cat #: 68J37 Model/Part #: 68J3701	1	"COMP,DPDT,24V(3 PH)"
K191	RELAY Cat #: 67K65 Model/Part #: 67K6501	1	CRANKCASE HEATER
K3	CONTACTOR Cat #: 68J37 Model/Part #: 68J3701	1	"BLR-DPDT,24V(208/460/575-380-420V-3PH
N	BLOCK-TERMINAL Cat #: 80K65 Model/Part #: 80K6501	1	380-420/50/3
T1	TRANSFORMER Cat #: 99W92 Model/Part #: 103764-01	1	"208/240V & 380/420V PRI, 24V SEC,70VA"
T1	TRANSFORMER Cat #: 99W93 Model/Part #: 103764-02	1	"480V PRI,24V SEC,70VA"
T1	TRANSFORMER Cat #: 99W94 Model/Part #: 103764-03	1	"600V PRI,24V SEC,70VA"

COOLING PARTS

Callout	Name	Quantity	Description
	HEATER-CRANKCASE Cat #: 93M10 Model/Part #: 100499-07	1	HEATER - CRANKCASE - J-VOLTT
	HEATER-CRANKCASE Cat #: 93M11 Model/Part #: 100499-08	1	HEATER, CRANKCASE-G/M VOLT
	HEATER-CRANKCASE Cat #: 93M13 Model/Part #: 100499-10	1	HEATER, CRANKCASE -Y-VOLT
	HARNESS-COMPRESSOR MOLDED PLUG Cat #: 17H61 Model/Part #: 102397-02	1	HARNESS-MOLDED PLUG (2 STG)
	SWITCH-THERMAL Cat #: 75W43 Model/Part #: 103048-01	1	THERMISTER SWITCH ASSY
	COVER Cat #: 75W44 Model/Part #: 103048-02	1	COVER THERMAL SWITCH
	FITTING REFRIGERATION SERVICE PORT Cat #: 11C82 Model/Part #: 103399-01	5	FITTING SERVICE PORT
	FITTING REFRIGERATION SYSTEM TAP Cat #: 11C83 Model/Part #: 103400-01	5	FITTING SYSTEM TAP
	CAP PLASTIC Cat #: 103401-01 Model/Part #: 103401-01	5	CAP PLASTIC
	SWITCH-HI PRESS AUTO RESET Cat #: 11F05 Model/Part #: 103736-02	1	OPEN 675PSIG,CLOSE 490PSIG
	PAN-DRAIN Cat #: 10G94 Model/Part #: 103780-01	1	PAN-DRAIN RAIDER PLASTIC
	ASSY-REPAIR PART RESTRICTOR Cat #: 12U38 Model/Part #: 103840-15	1	RESTRICTOR
	DRIER Cat #: 38M72 Model/Part #: 38M7201	1	DRIER, R410A
	DISTRIBUTOR ASSEMBBLY - ID ZCA/ZGA074 Cat #: 610469-39 Model/Part #: 610469-39	1	DISTRIBUTOR ASSY,W/ TXV (ID)

Callout	Name	Quantity	Description
	MOUNT PKG-COMP Cat #: 74J30 Model/Part #: 74J3001PR	1	MOUNT PKG-COMP
	HARNESS, COMPRESSOR PLUG Cat #: LB-99231R Model/Part #: LB-99231R	1	HARNESS-COMPRESSOR (1 STG)
30	COMPRESSOR ZPS60K5E-TF5-830 Cat #: 13Y87 Model/Part #: 103137-30	1	6T,208/230/3,COPELAND
30	COMPRESSOR ZPS60K5E-TFD-830 Cat #: 13Y88 Model/Part #: 103137-32	1	6T,460/60/3-380- 420/50/3 COPELAND
30	COMPRESSOR ZPS60K5E-TFE-830 Cat #: 13Y89 Model/Part #: 103137-34	1	6T,575/60/3,COPELAND
32	COIL-OUTDOOR (MCHX) Cat #: 12U16 Model/Part #: 610638-03	1	W/MANIFOLD,ENVIRON
33	COIL-INDOOR Cat #: 14R25 Model/Part #: 610491-14	1	W/MANIFOLD
38	MOTOR-FAN Cat #: 25W16 Model/Part #: 100483-07	1	1/3 HP,1075RPM, 460/60/3,
38	MOTOR-FAN Cat #: 69W96 Model/Part #: 100483-29	1	1/3 HP,1075RPM, 208/230/3
38	MOTOR-FAN 1/3 HP 575V 60HZ Cat #: 10A36 Model/Part #: 100483-37	1	1/3 HP,1075RPM, 575/60/3
41	FAN 22" 3 BLADE 32 PITCH CCW 0.500 BORE Cat #: 99W78 Model/Part #: 100060-32	1	FAN 22 INCH 3 BLADE 32 PITCH
S149	SWITCH-OVERFLOW Cat #: 10F68 Model/Part #: 103825-01	1	SWITCH,OVERFLOW

ECONOMIZER SECTION

Callout	Name	Quantity	Description
	ASSY-HOOD ECONO-HOOD RAIDER A BOX VERT Cat #: 98W69 Model/Part #: 103804-01	1	ECONO HOOD KIT DOWNFLOW
	ASSY-HOOD ECONO HOOD RAIDER A BOX HORZ Cat #: 98W70 Model/Part #: 103804-02	1	ECONO HOOD KIT HORIZONTAL

Callout	Name	Quantity	Description
	SENSOR 3K MIXED AIR THERMISTOR Cat #: 10F83 Model/Part #: 103809-01	1	MIXED AIR THERMISTOR
	SENSOR - MIXED AIR Cat #: 11G26 Model/Part #: 103931-01	1	SENSOR AIR TEMP (LOW LEAK)
	MOTOR-ACTUATOR HONEYWELL Cat #: 11G25 Model/Part #: 103962-02	1	MOTOR- ACTUATOR HONEYWELL(LOW LEAK)
	KIT-HOOD Cat #: 92W77 Model/Part #: 604123-01	1	HOOD KIT- MAN/MOT OAD
	Z1DAMP11A-1 MAN. OAD Cat #: 604442-07 Model/Part #: 604442-07	1	HOOD-OAD
	Z1DAMP21A-1 MTR OAR Cat #: 604442-08 Model/Part #: 604442-08	1	OAD-MTRZD DAMP ONLY 0- 35%
A6	CONTROL ECONOMIZER - JADE Cat #: 11G24 Model/Part #: 103929-01	1	CONTROLLER (LOW LEAK)
A6	CONTROLLER Cat #: 60M10 Model/Part #: 60M1001	1	CONTROL, ENTHALPY
B7	MOTOR-DAMPER SIEMENS Cat #: 77W92 Model/Part #: 102691-03	1	MOTOR- ACTUATOR SIEMENS
R1	RESISTOR ASSEMBLY - SSC ECONO Cat #: 78W04 Model/Part #: 102578-01	1	RESISTOR RESISTOR ASSEMBLY - SSC ECONO
S175	CONTROL-SENSOR SINGLE SENSIBLE Cat #: 73W85 Model/Part #: 102527-01	1	SENSOR SINGLE SENSIBLE CONTROL

ELECTRIC HEATING PARTS

Callout	Name	Quantity	Description
	FOR REPAIR PARTS REFER TO THE Z1EH Cat #: Model/Part #:	1	

Note:

There are no technical notes for this product.