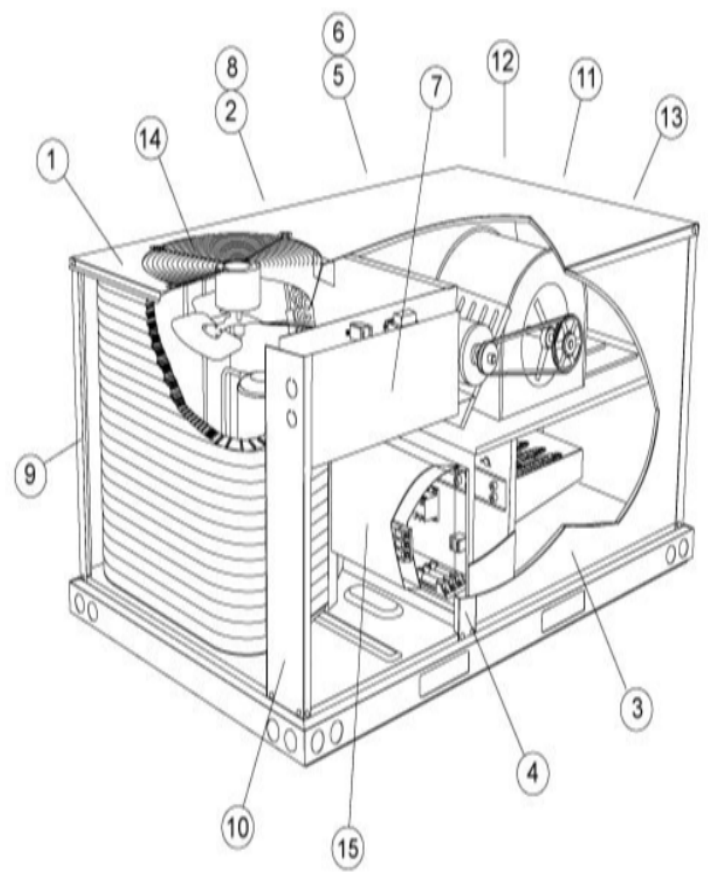


COOLING-PACKAGE

ZCA036, 048, 060



Revision Number - 1

*OPTIONAL PARTS-FACTORY+ FIELD INSTALLED

Callout	Name	Quantity	Description
	SWITCH-LO AMBIENT Cat #: 38M78 Model/Part #: 38M7801	1	SWITCH, PRESSURE LOW AMBIENT R410A
	RELAY Cat #: 56L68 Model/Part #: 56L6801	1	SPDT,24V
KIT 1	KIT - LOW AMBIENT (ZG/ZC) Cat #: 99W67 Model/Part #: 99W67	1	LOW AMBIENT KIT INCL NEXT 4 PARTS

BLOWER PARTS

Callout	Name	Quantity	Description
	KEY 3/16 Cat #: 10F82 Model/Part #: 103847-01	1	KEY 3/16
	RELAY Cat #: 56L68 Model/Part #: 56L6801		RELAY (LOW LEAK)
	MOUNT - MOTOR Cat #: 99W91 Model/Part #: 608481-01	1	MOUNT - MOTOR
	HARNESS - BLOWER Cat #: 10A22 Model/Part #: 609495-01	1	HARNESS -BLOWER 208/460/575/60/3- 380/420
	HARNESS - BLOWER 1PH Cat #: 10M30 Model/Part #: 609495-02	1	HARNESS - BLOWER 1PH
51	MOTOR-BLOWER Cat #: 79W56 Model/Part #: 103201-01	1	"1-1/2HP,1755RPM,208- 230/60/3
51	MOTOR-BLOWER Cat #: 79W57 Model/Part #: 103201-02	1	"1- 1/2HP,1755RPM,460/60/3, 380-420/50/3
51	MOTOR-BLOWER Cat #: 79W58 Model/Part #: 103201-03	1	"1- 1/2HP,1740RPM,575/60/3
51	MOTOR-BLOWER Cat #: 79W62 Model/Part #: 103203-01	1	"1HP,1760RPM,208- 230/60/3

Callout	Name	Quantity	Description
51	MOTOR-BLOWER Cat #: 79W63 Model/Part #: 103203-02	1	"1HP,1765RPM,460/60/3, 380-420/50/3
51	MOTOR-BLOWER Cat #: 79W64 Model/Part #: 103203-03	1	"1HP,1760RPM,575/60/3
51	MOTOR-BLOWER Cat #: 11X73 Model/Part #: 104135-01	1	"3/4HP,1755RPM,208- 230/60/1
51	MOTOR-BLOWER Cat #: 14N16 Model/Part #: 104135-02	1	"1-1/2HP,1755RPM,208- 230/60/1
52	PULLEY-BLOWER Cat #: 10H01 Model/Part #: 100244-26	1	5/8"BORE,4.75 O.D.(ZA05, ZA10, ZA11)
52	PULLEY-BLOWER Cat #: 10H10 Model/Part #: 100244-27	1	5/8"BORE,4.25 O.D.(ZA07,ZA08)
52	PULLEY-BLOWER Cat #: 10H11 Model/Part #: 100244-28	1	5/8"BORE,3.95 O.D.(ZA03, ZA09)
52	PULLEY-BLOWER Cat #: 10H12 Model/Part #: 100244-29	1	5/8"BORE,4.95 O.D.(ZA06)
52	PULLEY-BLOWER Cat #: 10H13 Model/Part #: 100244-30	1	5/8"BORE,5.25 O.D.(ZA01)
52	PULLEY-BLOWER MA45 X 5/8, AK46 Cat #: 10H14 Model/Part #: 100244-31	1	5/8"BORE,4.45 O.D.(ZA02, ZA12)
52	PULLEY-BLOWER Cat #: 10H15 Model/Part #: 100244-32	1	5/8"BORE,3.75 O.D.(ZA04)
53	BELT, A38 Cat #: 10H16 Model/Part #: 100245-15	1	A38 (ZA04, ZA09)
53	BELT Cat #: 25W61 Model/Part #: 100245-16	1	A39 (ZA02, ZA03, ZA07)
53	BELT Cat #: 25W62 Model/Part #: 100245-17	1	A40 (ZA01, ZA08)
53	BELT Cat #: 25W63 Model/Part #: 100245-18	1	A41 (ZA05, ZA09, ZA10, ZA11, ZA12)
53	BELT, A42 Cat #: 10H17 Model/Part #: 100245-19	1	A42 (ZA06)
54	BRACKET	2	BEARING

Callout	Name	Quantity	Description
	Cat #: 25W77 Model/Part #: 100817-01		
55	HOUSING-BLOWER Cat #: 15W78 Model/Part #: LB-112080A	1	ASSY-BLOWER HOUSING
56	LB-29333BDL BLOWER WHEEL Cat #: 99W50 Model/Part #: 99W50	1	LB-29333BDL BLOWER WHEEL
57	SHAFT BLOWER Cat #: 10H18 Model/Part #: 103672-01	1	"5/8"DIA, 17-5/8"LONG
58	BEARING Cat #: 10A08 Model/Part #: 100639-03	2	BEARING 5/8" W/ KS
59	PULLEY-MOTOR Cat #: 31K69 Model/Part #: 31K6901	1	7/8"BORE,3.15 O.D.(ZA01,02,03,04,07,08)
59	PULLEY-MOTOR Cat #: 56930 Model/Part #: P-8-1488	1	7/8"BORE,4.15 O.D.(ZA05, ZA09, ZA10)
59	PULLEY-MOTOR Cat #: 56963 Model/Part #: P-8-2187	1	7/8"BORE,4.75 O.D.(ZA06, ZA11, ZA12)

CABINET PARTS

Callout	Name	Quantity	Description
	ORIFICE Cat #: 98M16 Model/Part #: 100001-01	1	ORIFICE RING (22 I.D. X 6)
	FILTER-AIR Cat #: 20W31 Model/Part #: 100509-01	2	FILTER, AIR 20X20X2 MERV 4
	FILTER-AIR Cat #: 20W32 Model/Part #: 100509-02	2	FILTER, AIR 16X20X2 MERV 4 0
	GUARD-OUTDOOR COIL ZC,ZG,ZHA 036-060 Cat #: 103771-03 Model/Part #: 103771-03	1	GUARD-OUTDOOR COIL HAIL
	PANEL ACCESS Cat #: 609489-01 Model/Part #: 609489-01	1	PANEL OD HEAT ACCESS
	ASSY REPAIR PART COMPRESSOR MULLION Cat #: 610539-04 Model/Part #: 610539-04	1	MULLION FILTER COMPRESSOR
	PANEL	1	COVER-CONTROL

Callout	Name	Quantity	Description
	Cat #: 64E01 Model/Part #: 610541-02		BOX
	PANEL Cat #: 58E02 Model/Part #: 610706-01	1	SERVICE, FILTER/COMP
	PVC DRAIN TRAP KIT Cat #: 76W26 Model/Part #: LB-107882D	1	PVC DRAIN TRAP KIT
	COPPER DRAIN TRAP KIT Cat #: 76W27 Model/Part #: LB-107882E	1	COPPER DRAIN TRAP KIT
1	PANEL-TOP Cat #: 11L21 Model/Part #: 610187-02	1	TOP PANEL
3	PANEL Cat #: 99W38 Model/Part #: 610191-02	1	HEAT ACCESS PANEL
4	REPAIR PARTS FILTER ACCESS PANEL Cat #: 61E01 Model/Part #: 610190-05	1	FILTER ACCESS PANEL (ECON)
5	REPAIR PARTS FILTER ACCESS PANEL Cat #: 99W36 Model/Part #: 610190-02	1	FILTER ACCESS PANEL (NO ECON)
5	PANEL Cat #: 99W40 Model/Part #: 610192-01	1	ACCESS PANEL (NO ECONO)
6	PANEL Cat #: 54E01 Model/Part #: 610192-02	1	ACCESSORY ACCESS
9	ASSY-REPAIR PART COND. CORNER MULLION Cat #: 11L40 Model/Part #: 610542-10	1	MULLION CORNER REAR
10	ASSY-REPAIR PART COND. CORNER MULLION Cat #: 11L28 Model/Part #: 610542-08	1	MULLION CORNER FRONT
11	PANEL Cat #: 99W39 Model/Part #: 610191-03	1	HEAT ACCESS PANEL
12	COVER,DUCT Cat #: 99W31 Model/Part #: 610188-01	1	DUCT COVER RETURN
13	COVER,DUCT Cat #: 99W32 Model/Part #: 610188-02	1	DUCT COVER SUPPLY
14	GRILLE-DISCHARGE Cat #: 97M69 Model/Part #: 100062-02	1	GRILLE (DISCHARGE)
15	PANEL FRONT MULLION Cat #: 609340-01 Model/Part #: 609340-01	1	MULLION CONTROL FRONT

CONTROL PANEL PARTS

Callout	Name	Quantity	Description
	Cat #: Model/Part #:		
	FUSE Cat #: 10F78 Model/Part #: 103769-01	1	FUSE (AUTO) - 3 AMP
C1	CAPACITOR-FAN Cat #: 22W78 Model/Part #: 100600-01	1	5 MFD @370V 208/460/575/380- 420/60/3
C1	CAPACITOR-RUN Cat #: 22W80 Model/Part #: 100600-03	1	CAPACITOR-RUN 10 MFD @ 370V
C1	CAPACITOR-RUN Cat #: 10W81 Model/Part #: 100600-04	1	CAPACITOR 4 MFD @ 370V (575V)
C12	CAPACITOR-RUN 75 + 10 MFD @ 440V ROUND Cat #: 72W39 Model/Part #: 100335-51	1	75/10 MFD@440V(208- 230/60/1)ND
DL48	TIMER RELAY - TIME DELAY Cat #: 12U98 Model/Part #: 103047-02	1	CRANKCASE HEATER
DL49	TIMER RELAY - TIME DELAY Cat #: 12U99 Model/Part #: 103047-03	1	BLOWER OFF
K1	CONTACTOR Cat #: 95M56 Model/Part #: 100438-02	1	"COMP,SPST,24V(1PH)"
K1	CONTACTOR Cat #: 68J37 Model/Part #: 68J3701	1	"COMP,DPDT,24V(3 PH)"
K10	RELAY Cat #: 56L68 Model/Part #: 56L6801	1	RELAY (G,J,M)
K191	RELAY Cat #: 67K65 Model/Part #: 67K6501	1	RELAY
K25	RELAY Cat #: 67K65 Model/Part #: 67K6501	1	RELAY
K3	CONTACTOR Cat #: 95M55 Model/Part #: 100438-01	1	"BLR-SPST,24V(1 PH)
K3	CONTACTOR	1	"BLR-

Callout	Name	Quantity	Description
	Cat #: 68J37 Model/Part #: 68J3701		DPDT,24V(208/460/575-380-420V-3PH
N	BLOCK-TERMINAL Cat #: 80K65 Model/Part #: 80K6501	1	380-420/50/3
T1	TRANSFORMER Cat #: 99W92 Model/Part #: 103764-01	1	"208/240V & 380/420V PRI, 24V SEC,70VA"
T1	TRANSFORMER Cat #: 99W93 Model/Part #: 103764-02	1	"480V PRI,24V SEC,70VA"
T1	TRANSFORMER Cat #: 99W94 Model/Part #: 103764-03	1	"600V PRI,24V SEC,70VA"

COOLING PARTS

Callout	Name	Quantity	Description
	HEATER-CRANKCASE Cat #: 93M10 Model/Part #: 100499-07	1	HEATER - CRANKCASE -J-VOLT
	HEATER-CRANKCASE Cat #: 93M11 Model/Part #: 100499-08	1	HEATER, CRANKCASE-G/M VOLT
	HEATER-CRANKCASE Cat #: 93M13 Model/Part #: 100499-10	1	HEATER, CRANKCASE -Y-VOLT
	HARNESS-COMPRESSOR Cat #: 10A35 Model/Part #: 102932-06	1	HARNESS-COMPRESSOR 208-230/60/3
	HARNESS-COMPRESSOR Cat #: 99W86 Model/Part #: 102932-07	1	HARNESS-COMPRESSOR 208-230/60/1
	HARNESS-COMPRESSOR Cat #: 99W87 Model/Part #: 102932-08	1	HARNESS-COMPRESSOR 460/575/60/3 380-420
	GASKET, COMPRESSOR HARNESS Cat #: 72W78 Model/Part #: 103022-01	1	GASKET, COMPRESSOR HARNESS

Callout	Name	Quantity	Description
	COVER TERMINAL Cat #: 72W79 Model/Part #: 103023-01	1	COVER - TERMINAL WIRING BOX
	SWITCH-THERMAL Cat #: 75W43 Model/Part #: 103048-01	1	THERMISTER SWITCH ASSY
	COVER Cat #: 75W44 Model/Part #: 103048-02	1	COVER THERMAL SWITCH
	FITTING REFRIGERATION SERVICE PORT Cat #: 11C82 Model/Part #: 103399-01	5	FITTING SERVICE PORT
	FITTING REFRIGERATION SYSTEM TAP Cat #: 11C83 Model/Part #: 103400-01	5	VALVE CORE
	CAP PLASTIC Cat #: 103401-01 Model/Part #: 103401-01	5	CAP PLASTIC
	SWITCH-HI PRESS AUTO RESET Cat #: 11F05 Model/Part #: 103736-02	1	OPEN 675PSIG,CLOSE 490PSIG
	PAN-DRAIN Cat #: 10G94 Model/Part #: 103780-01	1	PAN-DRAIN RAIDER PLASTIC
	ASSY-REPAIR PART RESTRICTOR Cat #: 12U37 Model/Part #: 103840-14	1	ASSY-REPAIR PART RESTRICTOR
	DRIER Cat #: 38M72 Model/Part #: 38M7201	1	DRIER, R410A
	DISTRIBUTOR ASSY (ID) Cat #: 12U27 Model/Part #: 610469-31	1	DISTRIBUTOR ASSY (ID)
	MOUNT PKG-COMP Cat #: 74J30 Model/Part #: 74J3001PR	1	MOUNT PKG-COMP

Callout	Name	Quantity	Description
30	COMPRESSOR Cat #: 67W84 Model/Part #: 102931-01	1	4.5T,460/60/3-380-420/50/3,INTERLINK
30	COMPRESSOR Cat #: 67W85 Model/Part #: 102931-02	1	4.5T,208-230/60/3,INTERLINK
30	COMPRESSOR Cat #: 67W86 Model/Part #: 102931-03	1	4.5T,575/60/3,INTERLINK
30	COMPRESSOR Cat #: 67W87 Model/Part #: 102931-04	1	4.5T,208-230/60/1,INTERLINK
30	COMPRESSOR Cat #: 12Y43 Model/Part #: 104575-01	1	4.5T,460/60/3-380-420/50/3(AFT 11/06/15)
30	COMPRESSOR Cat #: 12Y44 Model/Part #: 104575-02	1	4.5T,208-230/60/3,INTER(AFT 10/02/15)
30	COMPRESSOR Cat #: 12Y45 Model/Part #: 104575-03	1	4.5T,575/60/3,INTERLINK(AFT 10/30/15)
30	COMPRESSOR Cat #: 12Y46 Model/Part #: 104575-04	1	4.5T,208-230/60/1,INTERLINK(AFT 09/25/15)
32	COIL-OUTDOOR (MCHX) Cat #: 12U16 Model/Part #: 610638-03	1	W/MANIFOLD,ENVIRON
33	COIL-INDOOR Cat #: 12U19 Model/Part #: 610491-09	1	W/MANIFOLD
38	MOTOR-FAN Cat #: 25W15 Model/Part #: 100483-09	1	1/4 HP,1075RPM, 460/60/3,
38	MOTOR-FAN Cat #: 10A37 Model/Part #: 100483-38	1	1/4 HP,1075RPM, 575/60/3

Callout	Name	Quantity	Description
38	MOTOR-FAN 1/4 HP 208/230V 60HZ 825 RPM Cat #: 12Y65 Model/Part #: 100483-43	1	1/4 HP,1075RPM, 208/230/3
41	FAN Cat #: 80W27 Model/Part #: 100060-30	1	1/2" BORE, FAN 22" 4 BLADE 35 PITCH CCW
S149	SWITCH-OVERFLOW Cat #: 10F68 Model/Part #: 103825-01	1	SWITCH,OVERFLOW

DIRECT DRIVE BLOWER PARTS

Callout	Name	Quantity	Description
	HARNESS-CONSTANT TORQUE Cat #: 15G02 Model/Part #: 101189-02	1	SPEED TAP
	HARNESS-POWER MULTI-TAP Cat #: 15G03 Model/Part #: 101190-03	1	HIGH VOLTAGE POWER
	GROMMET Cat #: 43H81 Model/Part #: 43H8101	3	GROMMET
	BAND-MOTOR Cat #: 62A57 Model/Part #: 62A5701	1	BAND-MOTOR
51	MOTOR-BLOWER, ECM Cat #: 19C30 Model/Part #: 105914-01	1	1 HP, 300-1300 RPM, 208/230 P- VOLT
51	MOTOR-BLOWER, ECM Cat #: 19C38 Model/Part #: 105914-08	1	1 HP, 300-1300 RPM, 208/230 Y- VOLT
55	HOUSING-BLOWER Cat #: 15W82 Model/Part #: LB-112080E	1	BLOWER HOUSING
55	HOUSING-BLOWER Cat #: 15W83 Model/Part #: LB-112080F	1	BLOWER HOUSING (PAINTED)
56	WHEEL-BLOWER Cat #: 15W77 Model/Part #: LB-29333BDC	1	1/2" BORE,11" X 10"
64	ARM-MOTOR MTG	3	BRACKET

Callout	Name	Quantity	Description
	Cat #: 98G22 Model/Part #: 98G2201		

ECONOMIZER SECTION

Callout	Name	Quantity	Description
	ASSY-HOOD ECONO-HOOD RAIDER A BOX VERT Cat #: 98W69 Model/Part #: 103804-01	1	ECONO HOOD KIT DOWNFLOW
	ASSY-HOOD ECONO HOOD RAIDER A BOX HORZ Cat #: 98W70 Model/Part #: 103804-02	1	ECONO HOOD KIT HORIZONTAL
	SENSOR 3K MIXED AIR THERMISTOR Cat #: 10F83 Model/Part #: 103809-01	1	MIXED AIR THERMISTOR
	SENSOR - MIXED AIR Cat #: 11G26 Model/Part #: 103931-01	1	SENSOR AIR TEMP (LOW LEAK)
	MOTOR-ACTUATOR HONEYWELL Cat #: 11G25 Model/Part #: 103962-02	1	MOTOR- ACTUATOR HONEYWELL(LOW LEAK)
	KIT-HOOD Cat #: 92W77 Model/Part #: 604123-01	1	HOOD KIT- MAN/MOT OAD
	Z1DAMP11A-1 MAN. OAD Cat #: 604442-07 Model/Part #: 604442-07	1	HOOD-OAD
	Z1DAMP21A-1 MTR OAR Cat #: 604442-08 Model/Part #: 604442-08	1	OAD-MTRZD DAMP ONLY 0- 35%
A6	CONTROL ECONOMIZER - JADE Cat #: 11G24 Model/Part #: 103929-01	1	CONTROLLER (LOW LEAK)
A6	CONTROLLER Cat #: 60M10 Model/Part #: 60M1001	1	CONTROL, ENTHALPY
B7	MOTOR-DAMPER SIEMENS Cat #: 77W92 Model/Part #: 102691-03	1	MOTOR- ACTUATOR SIEMENS
R1	RESISTOR ASSEMBLY - SSC ECONO Cat #: 78W04 Model/Part #: 102578-01	1	RESISTOR RESISTOR ASSEMBLY - SSC ECONO

Callout	Name	Quantity	Description
S175	CONTROL-SENSOR SINGLE SENSIBLE Cat #: 73W85 Model/Part #: 102527-01	1	SENSOR SINGLE SENSIBLE CONTROL

ELECTRIC HEATING PARTS

Callout	Name	Quantity	Description
	FOR REPAIR PARTS REFER TO THE Z1EH Cat #: Model/Part #:	1	

Note:

There are no technical notes for this product.