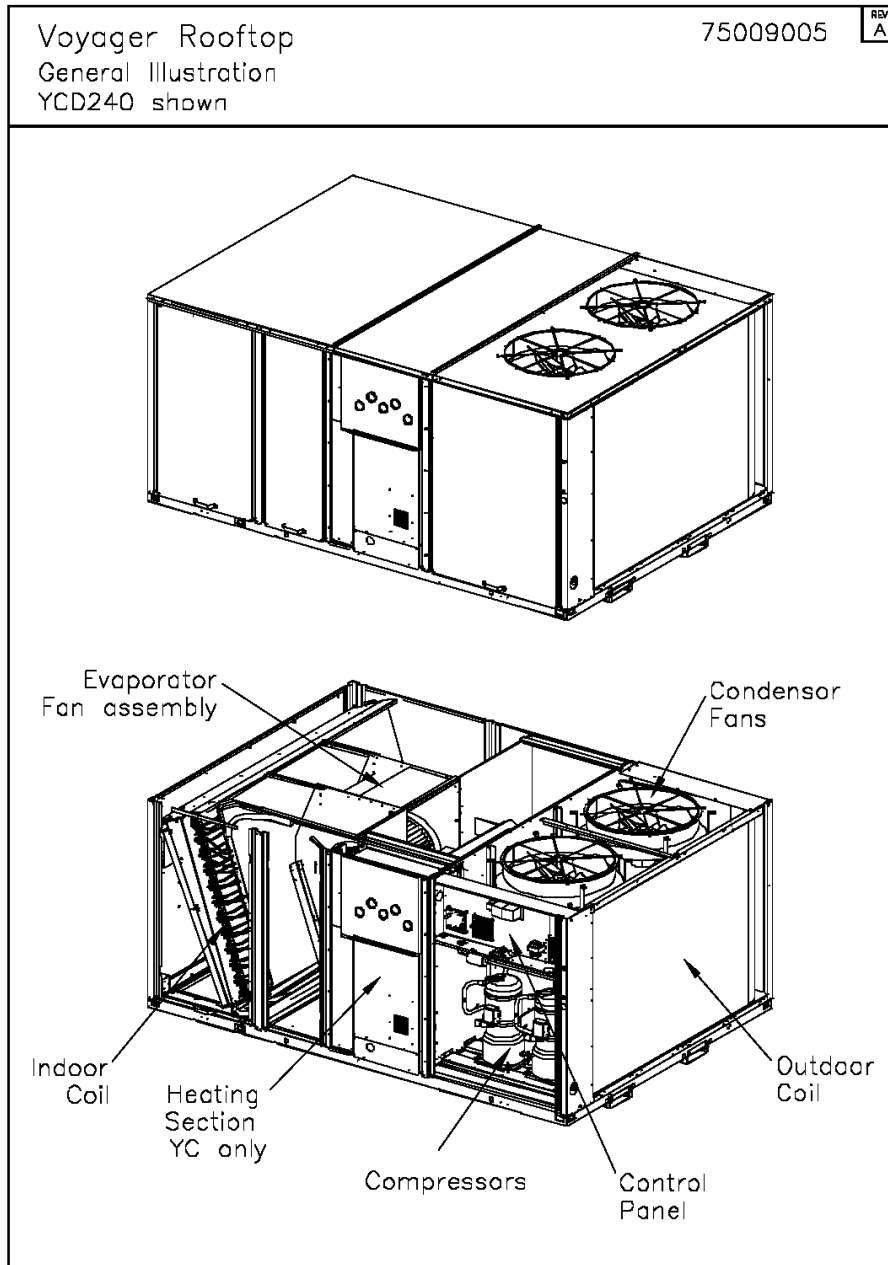


<b>Part No.</b>	<b>Reference No.</b>	<b>Quantity</b>	<b>Description</b>
75009901	SEC 01		MODEL NUMBER DESCRIPTION DIGIT 1-17
75009902	SEC 01		MODEL NUMBER DESCRIPTION DIGIT 18-31
75009005	SEC 02		GENERAL ILLUSTRATION
75010913	SEC 03		COMPRESSOR MOUNTING HARDWARE
75011760	SEC 03		COMPRESSOR POWER HARNESSSES
75012194	SEC 03		COMPRESSORS AND CRANKCASE HEATERS
75009944	SEC 03		REFRIGERATION CIRCUIT CONTROLS
75009909	SEC 04		FILTERS AND DRAIN PANS
75011627	SEC 05		HEAT EXCHANGER ASSEMBLY
75011622	SEC 05		HEAT EXCHANGER REPLACEMENT
75009030	SEC 07		BURNER PLATE ASSEMBLY
75012170	SEC 08		OUTDOOR FAN ASSEMBLY
75012166	SEC 08		OUTDOOR FAN MOTORS
75012173	SEC 09		INDOOR FAN ASSEMBLY
75012169	SEC 09		INDOOR FAN MOTOR
75012175	SEC 10		OUTDOOR CONDENSOR COIL
75012098	SEC 12		EVAPORATOR COIL
75009958	SEC 25		UNIT SENSING
75012751	SEC 40		GAS HEAT PANELS
75012744	SEC 41		AIR FLOW PANELS
75012749	SEC 43		COMM PANELS
75012144	SEC 45		OPTIONAL FIELD INSTALLED ACCESSORIES

Model Number Description	75009902	REV E
<p>Voyager 2 Digits 18-31</p>		
<p>Digit 18 Through The Base Provisions 0= No through the base provisions A= Through the base electric B= Through the base gas C= Through the base electric and gas D= Through the base access</p>	<p>Digit 25 System Monitoring Controls 0= No monitoring controls 1= Clogged filter switch 2= Fan failure switch 3= Discharge air sensing 4= Clogged filter switch and fan failure</p>	
<p>Digit 19 Disconnect Switch/ Circuit Breaker 0= No Disconnect, circuit break, phase monitor 1= Unit Mount Non-Fused and Disconnect Switch 2= Unit Mount Circuit Breaker 3= Phase Monitor 4= Phase Monitor and Disconnect 5= Phase Monitor and Circuit Breaker</p>	<p>5= Clogged switch and discharge air sensing 6= Fan failure switch and discharge air sensing 7= Clogged filter switch, fan failure switch and discharge air sensing 8= NOVAR Return Air Sensor (Novar 2024) 9= NOVAR Zone Temp Sensor (Novar 3051)</p>	
<p>Digit 20 Convenience Outlet Option 0= Without Convenience Outlet A= Convenience Outlet Unpowered (FIELD) B= Convenience Outlet Powered (FACTORY)</p>	<p>A= Condensate Overflow Switch B= Condensate Overflow Switch and Clogged filter switch C= Condensate Overflow Switch and Fan Fail</p>	
<p>Digit 21 Communications Options 0= Without Communications Options 1= Trane Communications Interface 2= Lontalk Communications Interface 3= Novar 2024 Controls Interface 4= Novar 3051 Controls Interface 5= Novar 3051 Communications Interface with Demand Control Ventilation 6= Building Automation Control Network Communications Interface 7= Wireless Building Automation Control Network Communications Interface</p>	<p>D= Condensate Overflow Switch and Discharge Air E= Condensate Overflow Switch and Clogged filter switch, Fan Fail F= Condensate Overflow Switch and Clogged filter switch, Discharge Air G= Condensate Overflow Switch and Fan Fail, Discharge Air H= Condensate Overflow Switch, Clogged Filter, Fan Fail, Discharge Air</p>	
<p>Digit 22 Refrigeration System Option 0= Standard refrigeration system A= Thermal Expansion Valve (TXV) B= Dehumidification (hot gas reheat)</p>	<p>Digit 26 System Monitoring Controls 0= No monitoring controls A= Demand Control Ventilation B= Fault Detection Device C= Demand Control Ventilation and Fault Detection Device</p>	
<p>Digit 23 Refrigeration Controls 0= Without Refrigeration Controls 1= Froststat 2= Crankcase Heater 3= Froststat and Crankcase Heater 4= High Pressure Control 5= High Pressure Control and Froststat 6= High Pressure and Crankcase Heater 7= High Pressure, Crankcase Heater, Froststat</p>	<p>Digit 27 Stainless Steel Drain pan 0= No stainless Drain pan 1= Stainless Steel Drain pan</p>	
<p>Digit 24 Smoke Detector 0= Without Smoke Detector A= Return Air Smoke Detector B= Supply Air Smoke Detector C= Return/Supply Air Smoke Detector</p>	<p>Digit 28 Short Circuit Current Rating (SCCR) 0= Standard A= 65kA</p>	
	<p>Digit 29,30 Reserved For Future 0= Standard</p>	
	<p>Digit 31 Unit Controls 0= Standard</p>	

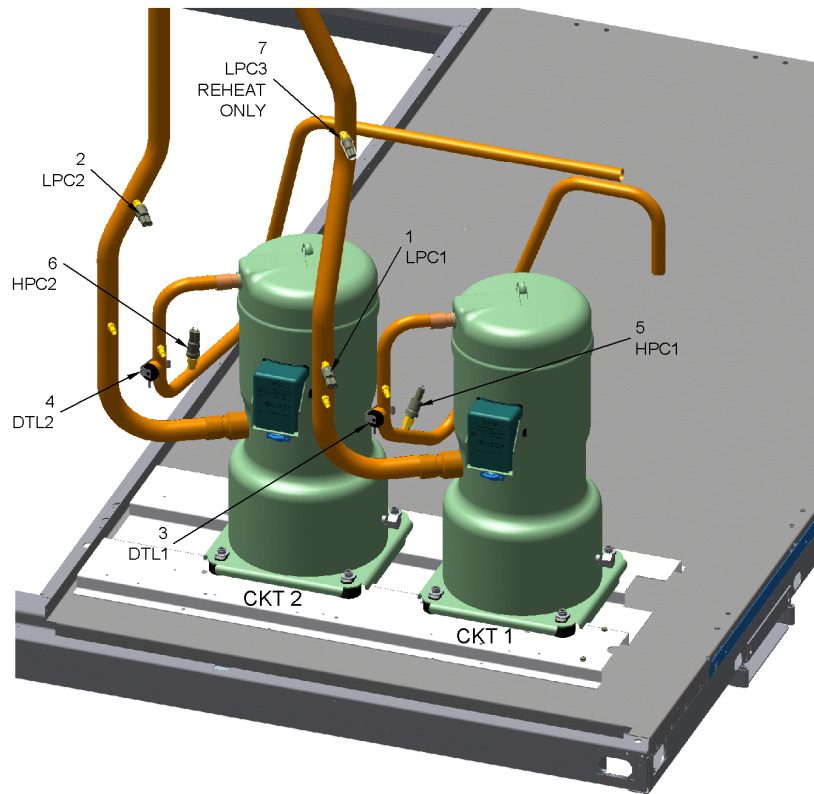
Model Number Description	75009901	REV E
<p>Voyager 2 Digits 1-17</p>		
<p>Digit 1 Unit Type Y= Gas/Electric T= Cooling W= Heat pump</p>	<p>Digit 12,13 Service Sequence</p> <p>Digit 14 Fresh Air Selection 0= No Fresh Air A= Manual damper D= Econ Dry Bulb w/ barometric relief F= Econ Reference Enthaply with barometric relief H= Econ Comparative Enthaply with barometric relief K= Low Leak Econ Dry Bulb with barometric relief M= Low Leak Econ Reference Enthalpy with barometric relief P= Low Leak Econ Comparative Enthalpy with barometric relief</p>	
<p>Digit 2 Efficiency S= Standard H= High Z= Ultra High</p>	<p>Digit 15 Supply Fan/Drive Type/Motor 0= Standard Drive 1= Oversized Motor 3= High Efficiency Belt Drive 6= Single Zone Variable Air Volume Standard 7= Two Speed Standard 8= Single Zone Variable Air Volume Oversized 9= Two Speed Oversized A= Single Zone Variable Air Volume Standard with Shaft Ground Ring B= Two Speed Standard w/ Shaft Ground Ring C= Single Zone Variable Air Volume Oversized with Shaft Ground Ring D= Two Speed Oversized w/ Shaft Ground Ring E= VAV Supply Air Temperature Control - Standard F= VAV Supply Air Temperature Control - Oversized G= VAV Supply Air Temperature Control - Standard w/ Shaft Ground Ring H= VAV Supply Air Temperature Control - Oversized w/ Shaft Ground Ring</p>	
<p>Digit 3 Airflow D= Downflow H= Horizontal</p>	<p>Digit 4,5,6 Unit Tonnage 150= 12.5 Ton 155= 15 Ton 50 hz 175= 17.5 Ton 50 hz 180= 15 Ton 200= 20 Ton 50 hz 210= 17.5 Ton 240= 20 Ton 250= 25 Ton 50 hz 300= 25 Ton</p>	
<p>Digit 7 Major Design Sequence E= R-410a F= Micro-channel G= ASHRAE 90.1</p>	<p>Digit 16 Hinged Service Access / Filters 0= Standard panels/standard filters A= Hinged access/standard filters B= Standard panels/2" inch pleated filters C= Hinged access/2" inch pleated filters D= Standard panels/MERV 13 filters E= Hinged access/MERV 13 filters</p>	
<p>Digit 8 Voltage Selection 3= 230/60/3 4= 460/60/3 D= 380-415/50/3 K= 380/60/3 T= 200/50/3 W= 575/60/3</p>	<p>Digit 17 Condenser Coil Protection 0= Standard coil 1= Standard coil with hail guard 2= Epoxy Coated Condenser Coil 3= Epoxy Coated Condenser Coil and Hail Guard 4= ECoated Coil 5= ECoated Coil with Hail Guard</p>	
<p>Digit 9 Unit Controls R= Reliatel</p>		
<p>Digit 10 Heating Capacity 0= No Heat G= 18 kW electric heat K= 27 kW electric heat N= 36 kW electric heat P= 54 kW electric heat R= 72 kW electric heat H= Gas Heat - High L= Gas Heat - Low V= Gas Heat - Modulating X= Gas Heat - SS Ht Ex - Low Z= Gas Heat - SS Ht Ex - High</p>		
<p>Digit 11 Minor Design Sequence A= Minor Des. Seq.</p>		



REFRIGERATION CIRCUIT CONTROLS

75009944

REV  
B



This is a typical illustration. The unit in the field may not appear exactly as shown.

Parts List Number :VOY2UP1

Model Number :YSD240G3RHA1DQY

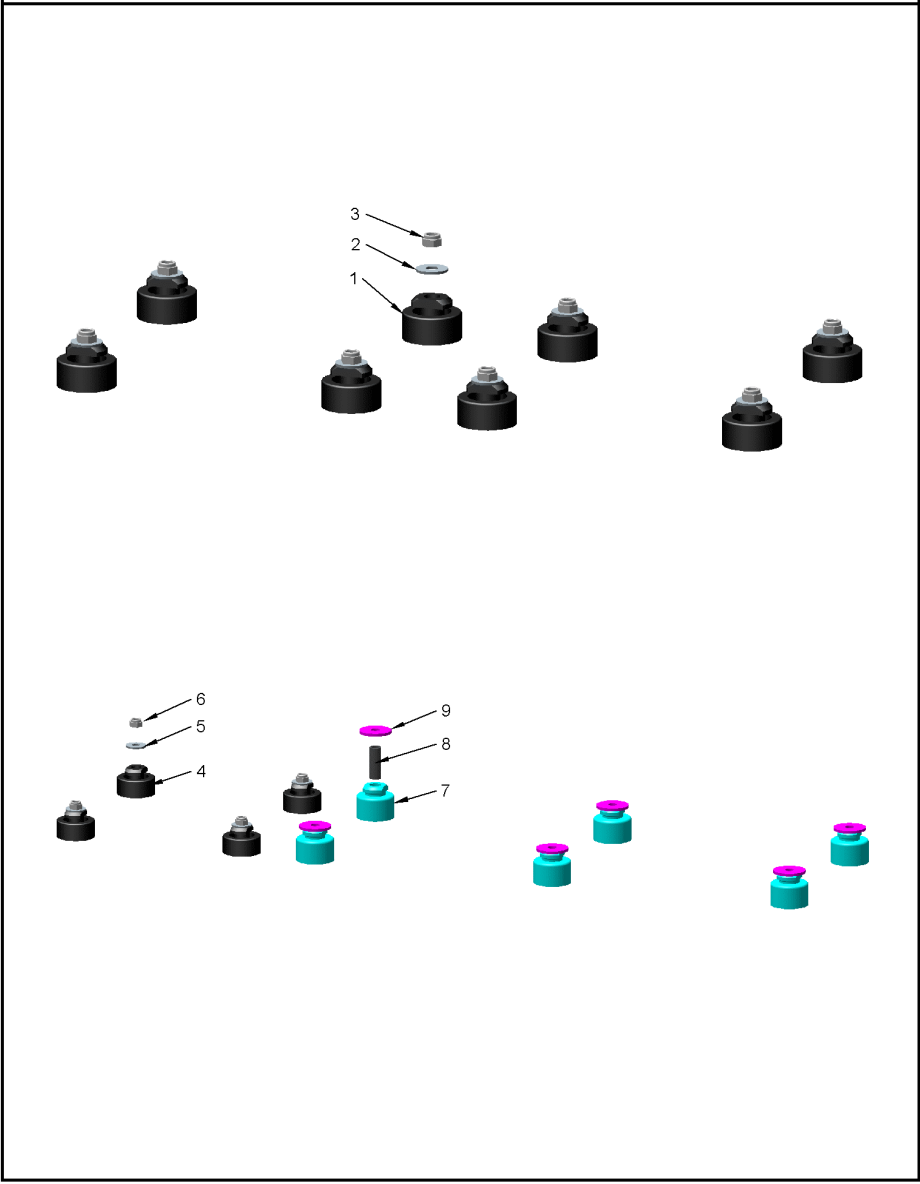
<b>Part No.</b>	<b>Reference No.</b>	<b>Quantity</b>	<b>Description</b>
CNT07733	1	1	CONTROL; LOW PRESSURE, CUTOUT, BLUE LEAD WIRES, CIRCUIT 1
CNT07734	2	1	CONTROL; LOW PRESSURE, CUTOUT, YELLOW LEAD WIRES, CIRCUIT 2
CNT07730	5	1	CONTROL; HI-PRESSURE, BLACK LEAD WIRES
CNT07731	6	1	CONTROL; HI-PRESSURE, RED LEAD WIRES

COMPRESSOR MOUNTING HARDWARE

75010913

REV.  
A

VOYAGER 2  
TYPICAL ILLUSTRATION



Parts List Number :VOY2UP1

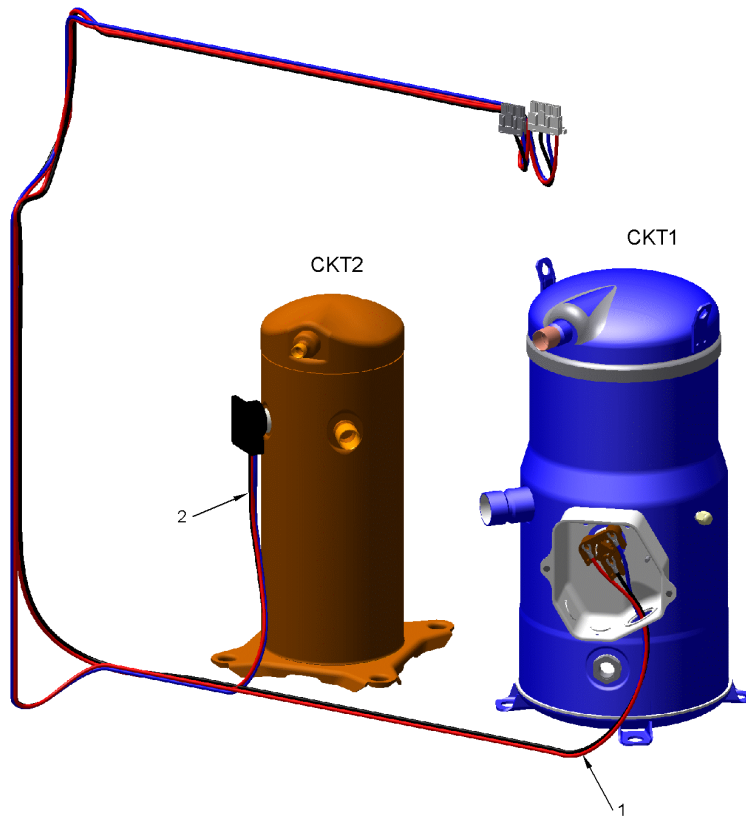
Model Number :YSD240G3RHA1DQY

<b>Part No.</b>	<b>Reference No.</b>	<b>Quantity</b>	<b>Description</b>
GRM00888	1	8	GROMMET; ISOLATOR, COMPRESSOR, .438 ID X .160 GRV, .750 DIA X 1.625 OD, BLACK NEOPRENE RUBBER
NUT00355	3	8	NUT; HEX, LOCK, 5/16IN.-18

COMPRESSOR POWER HARNESSES

75011760

REV  
A

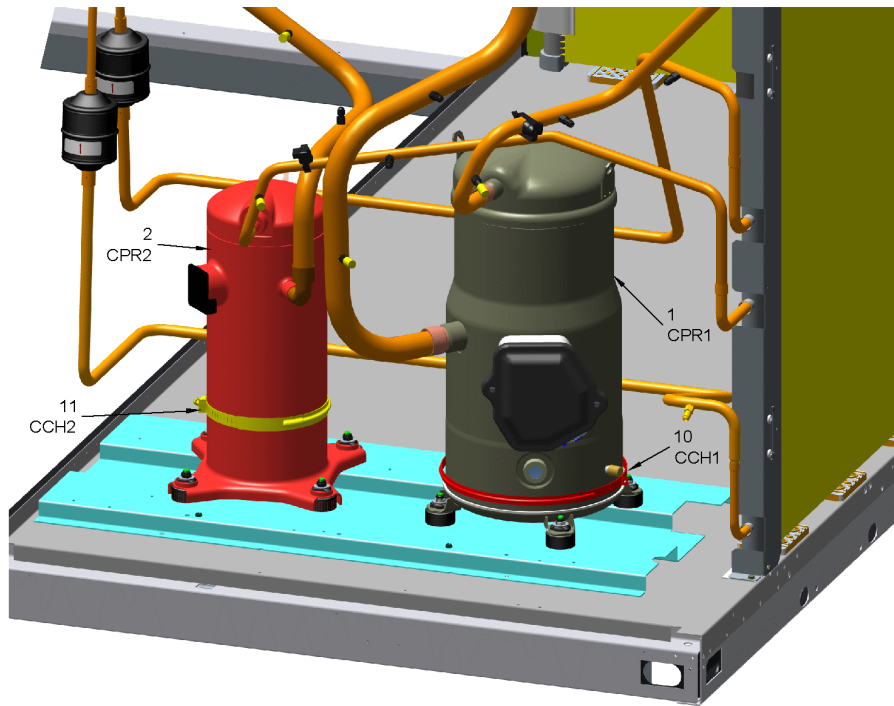


This is a typical illustration. The unit in the field may not appear exactly as shown.

COMPRESSORS  
AND CRANKCASE HEATERS

75012194

REV  
A



This is a typical illustration. The unit in the field may not appear exactly as shown.

Parts List Number :VOY2UP1

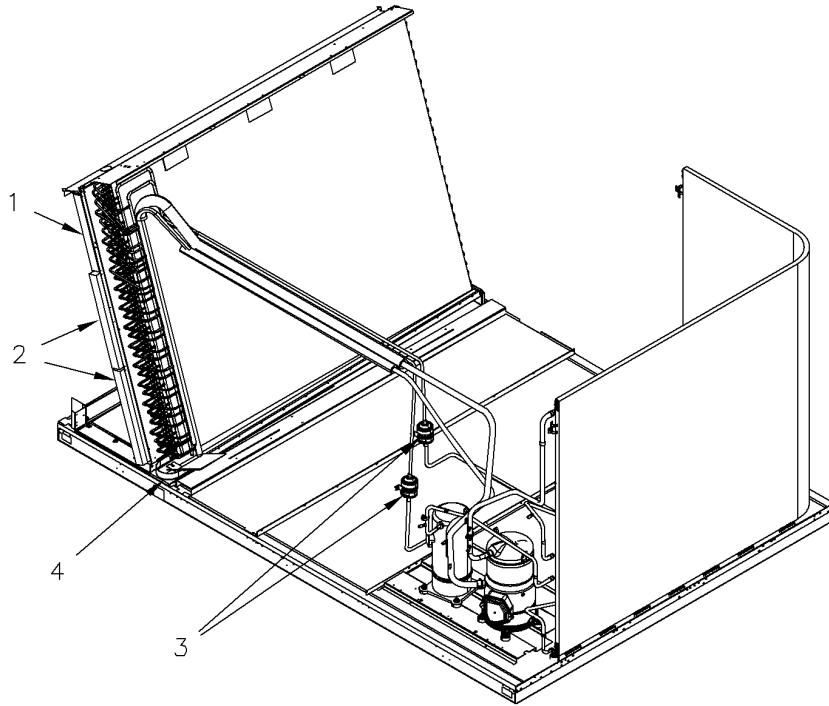
Model Number :YSD240G3RHA1DQY

<b>Part No.</b>	<b>Reference No.</b>	<b>Quantity</b>	<b>Description</b>
HTR15175	10	1	HEATER; CRANKCASE, 95 WATTS, 230 VOLTS
HTR15357	11	1	HEATER; CRANKCASE, 70W 230V 6.63 DIA

FILTERS AND DRAIN PANS

75009909

REV  
A

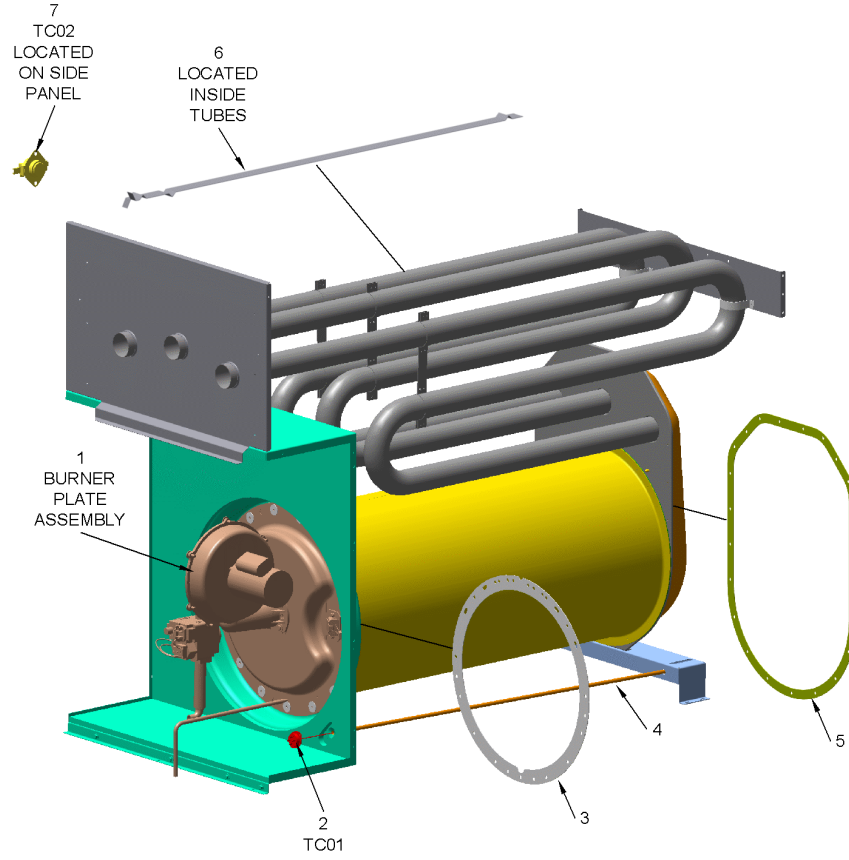


<b>Part No.</b>	<b>Reference No.</b>	<b>Quantity</b>	<b>Description</b>
TOL04139	*	2	TOOL; FILTER REMOVAL
DHY01470	3	2	DRIER; LIQUID LINE; SERVICE FIRST; 16 CU. IN. DCL165/4S, 5/8 ODF INLET X 1/2 ODF OUTLET; 11.4 TON CAPACITY; APPROVED FOR MINERAL OIL AND POE OIL REF

HEAT EXCHANGER PARTS

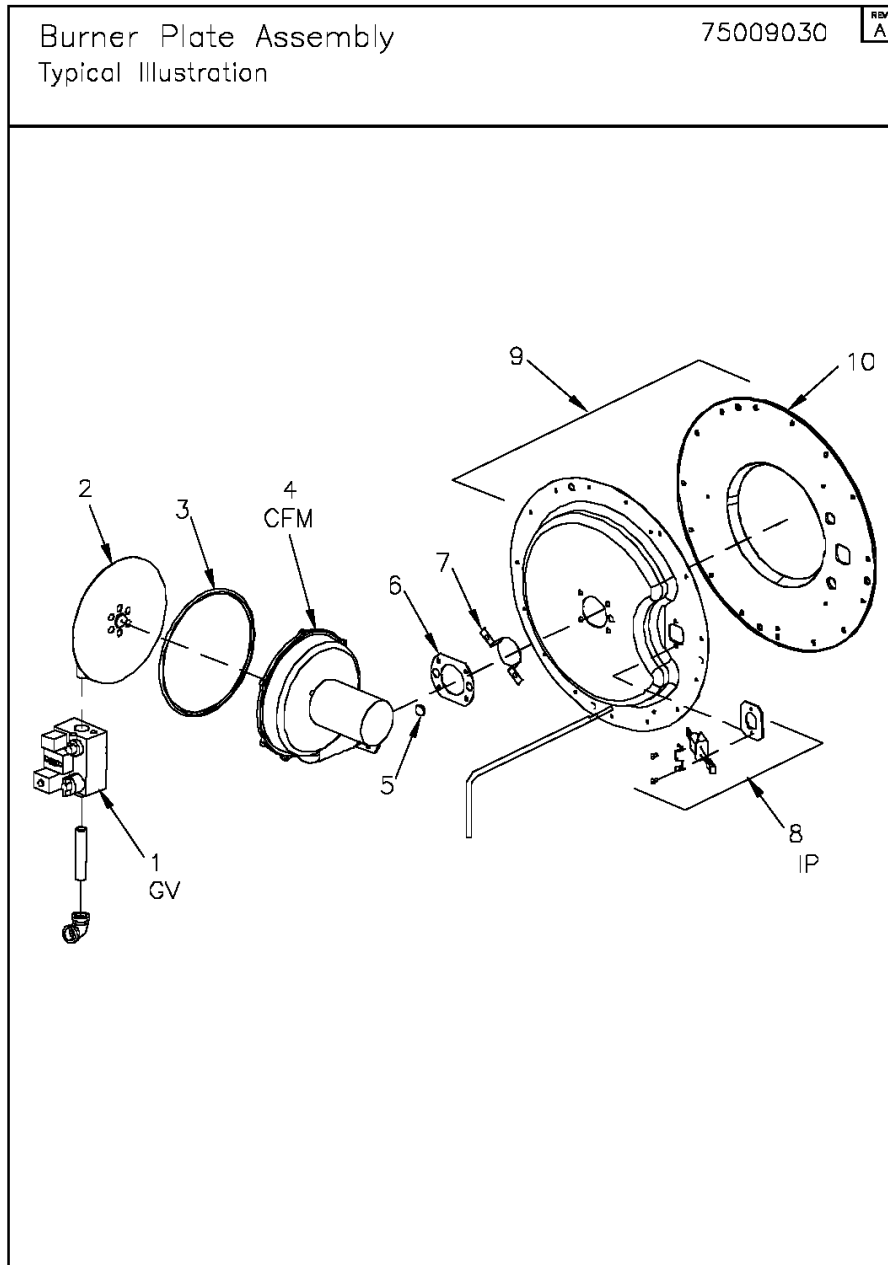
75011627

REV.  
A



This is a typical illustration. The unit in the field may not appear exactly as shown.

<b>Part No.</b>	<b>Reference No.</b>	<b>Quantity</b>	<b>Description</b>
75009030	1		BURNER PLATE ASSEMBLY
CNT01219	2	1	CONTROL; TEMP, OPEN 170F, SPST, LIMIT, NORMALLY CLOSED, WITH CAPILLARY
GKT02141	3	1	GASKET; .06 THK X 18.85 DIAMETER, HI-TEMP
TUB04717	4	1	TUBE; TEMPERATURE PROBE
GKT02142	5	1	GASKET; .06 THK, HI-TEMP, DRUM END COVER
TRB00022	6	5	TURBULATOR;
CNT01031	7	1	CONTROL; TEMP LIMIT, SPDT, OPEN 150F, CLOSE 110F

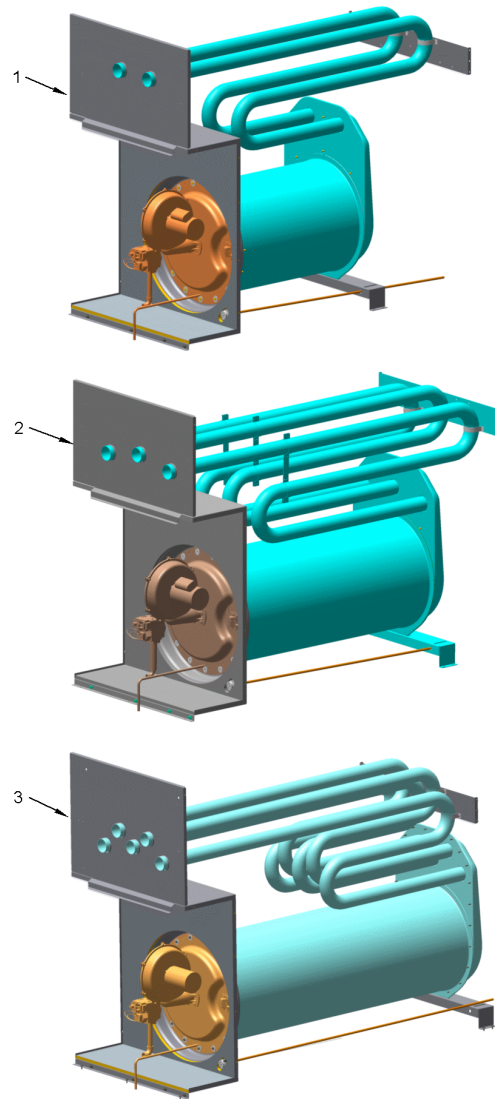


Part No.	Reference No.	Quantity	Description
CNT01221	1	1	CONTROL; VALVE, GAS, .75 NPTI, 24 VAC, NEGATIVE PRESSURE OPERATION
ORF01032	2	1	ORIFICE; .437 DIAMETER
GKT03053	3	1	GASKET; EDGE TRIM, .062 X 9.0 DIAMETER
FAN02161	4	1	FAN; BLOWER, COMBUSTION, W/MOTOR, 1/10 HP, 208-230/60/1
GLS00144	5	1	GLASS; SIGHT, .75 OD X .12 THK
GKT04206	6	1	GASKET; SPECIALTY; .125 THK X 4.16 DIA, SILICONE SPONGE (RED), MAX TEMP 450 DEG F W/HOLES PRESSURE SENSITIVE BACKING
BAF00304	7	1	BAFFLE;COMBUSTION BLOWER
KIT03033	8	1	KIT; IGNITOR
PLT04093	9	1	PLATE; BNR CAP ASSY, FOR 17 IN DRUM, 350/400 MBH (INCLS GKT AND INSL, DOES NOT INCL 17 IN DRUM , BLWR MTR, GAS VAL, PIPING OR IGN. COMPS. ID IN CAT'S
INS01719	10	1	INSULATION; BURNER HEAT SHIELD BARRIER, 8.76" ID X 19.2" OD

HEAT EXCHANGER REPLACEMENT

75011622

REV.  
A



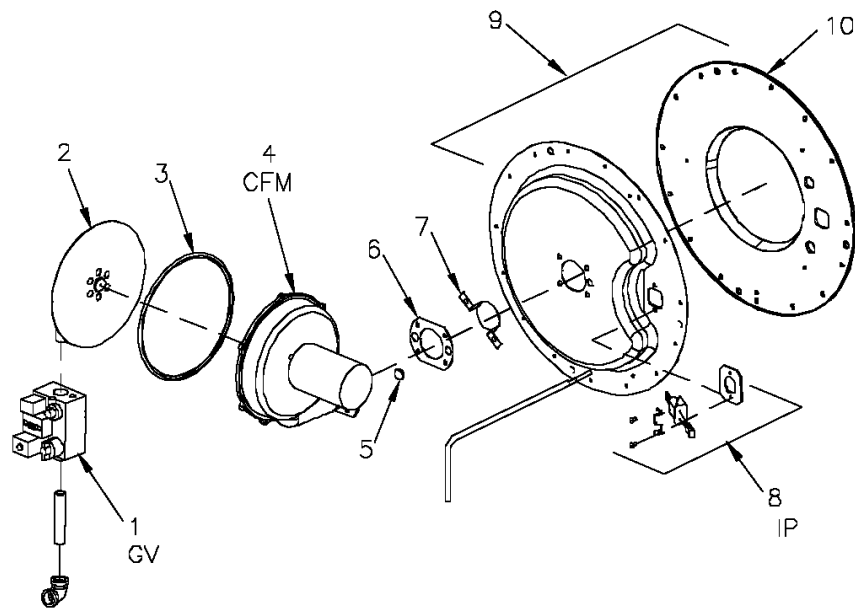
This is a typical illustration. The unit in the field may not appear exactly as shown.

Part No.	Reference No.	Quantity	Description
EXC01323	3	1	EXCHANGER; 400 MBH GAS HEAT ASSEMBLY, INCLUDES BURNER CAP PLATE ASSEMBLY 17 INCH DRUM, AND COMBUSTION FAN ASSEMBLY

Burner Plate Assembly  
Typical Illustration

75009030

REV  
A

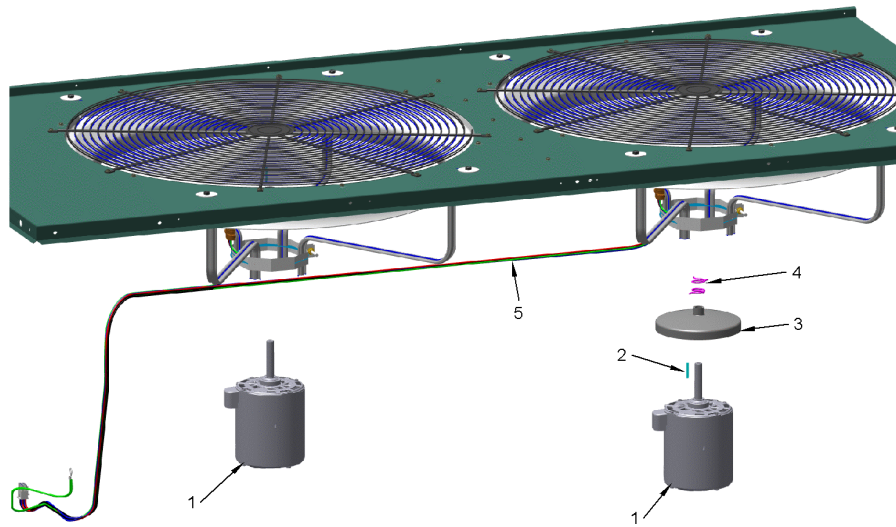


Part No.	Reference No.	Quantity	Description
CNT01221	1	1	CONTROL; VALVE, GAS, .75 NPTI, 24 VAC, NEGATIVE PRESSURE OPERATION
ORF01032	2	1	ORIFICE; .437 DIAMETER
GKT03053	3	1	GASKET; EDGE TRIM, .062 X 9.0 DIAMETER
FAN02161	4	1	FAN; BLOWER, COMBUSTION, W/MOTOR, 1/10 HP, 208-230/60/1
GLS00144	5	1	GLASS; SIGHT, .75 OD X .12 THK
GKT04206	6	1	GASKET; SPECIALTY; .125 THK X 4.16 DIA, SILICONE SPONGE (RED), MAX TEMP 450 DEG F W/HOLES PRESSURE SENSITIVE BACKING
BAF00304	7	1	BAFFLE;COMBUSTION BLOWER
KIT03033	8	1	KIT; IGNITOR
PLT04093	9	1	PLATE; BNR CAP ASSY, FOR 17 IN DRUM, 350/400 MBH (INCLS GKT AND INSL, DOES NOT INCL 17 IN DRUM , BLWR MTR, GAS VAL, PIPING OR IGN. COMPS. ID IN CAT'S
INS01719	10	1	INSULATION; BURNER HEAT SHIELD BARRIER, 8.76" ID X 19.2" OD

OUTDOOR FAN MOTORS

75012166

REV  
B



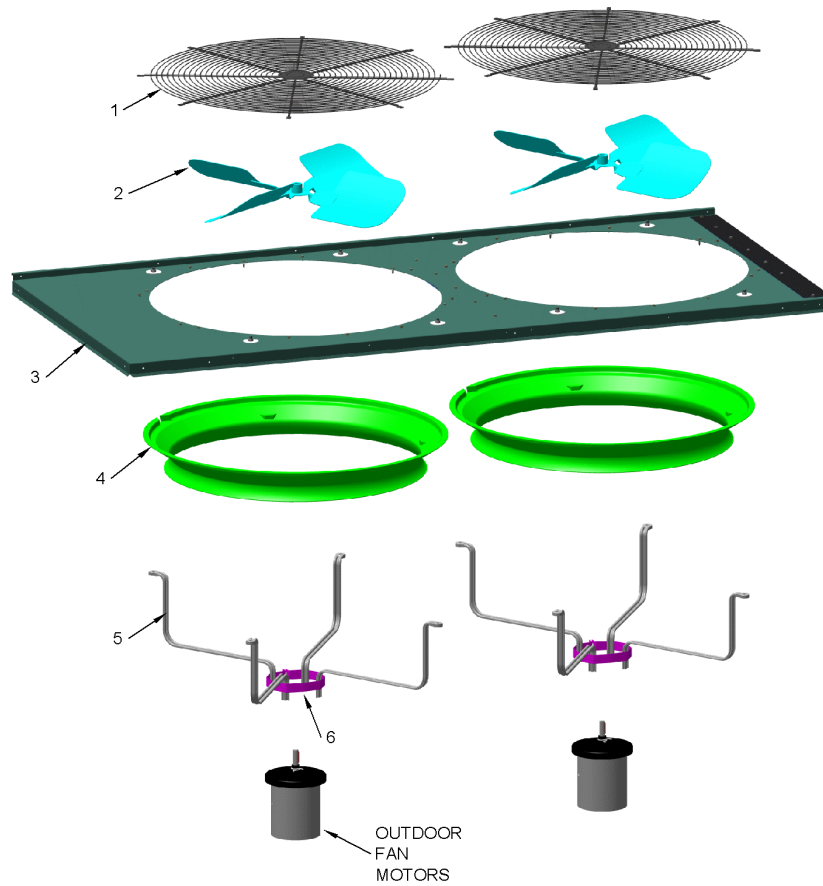
This is a typical illustration. The unit in the field may not appear exactly as shown.

<b>Part No.</b>	<b>Reference No.</b>	<b>Quantity</b>	<b>Description</b>
MOT17978	1	2	MOTOR; AC; 1 HP, 208-230 60 3,1125 RPM
KEY00820	2	2	KEY; .187 SQ X 1.26 LG, LOW CARBON CD STEEL
SLG00123	3	2	SLINGER; MOTOR COVER, 7.00 DIA X 1.84 DEEP, FOR USE WITH 5/8 INCH MOTOR SHAFT
CMP00842	4	4	CLAMP; HOSE .88 NOM. ID DIA, SELF-TIGHTENING.
WIR08799	5	1	WIRE; HARNESS; 3 PHASE OUTDOOR MOTOR HARNESS

OUTDOOR FAN ASSEMBLY

75012170

REV  
B



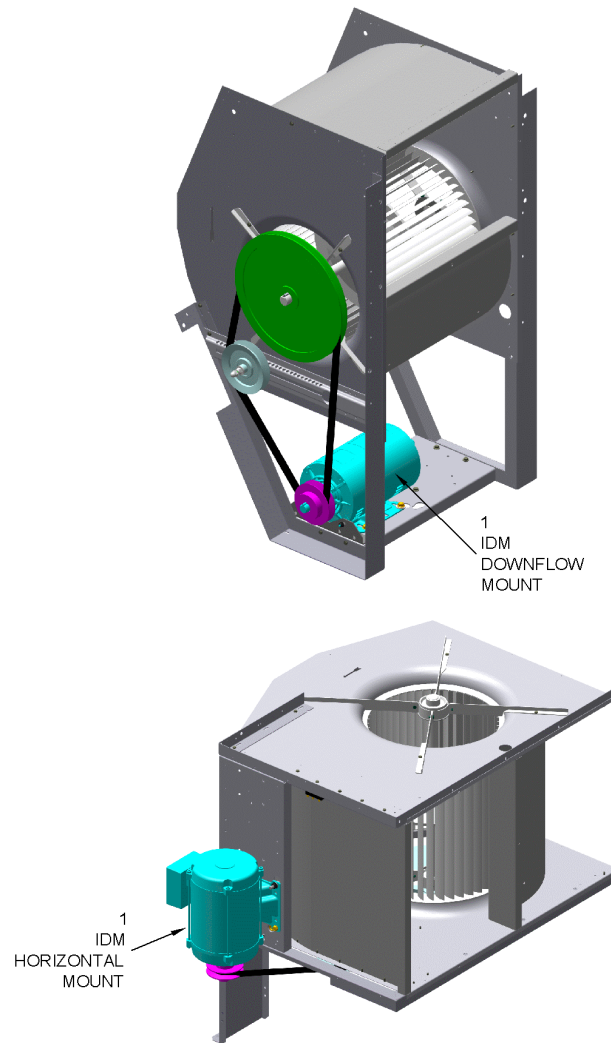
This is a typical illustration. The unit in the field may not appear exactly as shown.

<b>Part No.</b>	<b>Reference No.</b>	<b>Quantity</b>	<b>Description</b>
GRD00450	1	2	GUARD; FAN, 27.5 DIA
FAN02778	2	2	FAN; 4 BLADE, ALUM, 26 IN DIA, 32 DEGREE PITCH, CW, .625 BORE
PNL28817	3	1	PANEL; TOP COVER
ORF00575	4	2	ORIFICE;O.D. FAN
BRK01632	5	8	BRACKET;MOTOR MOUNT, 13.77 LEG
BRK01160	6	2	BRACKET, MOTOR MOUNT

INDOOR FAN MOTOR

75012169

REV.  
A

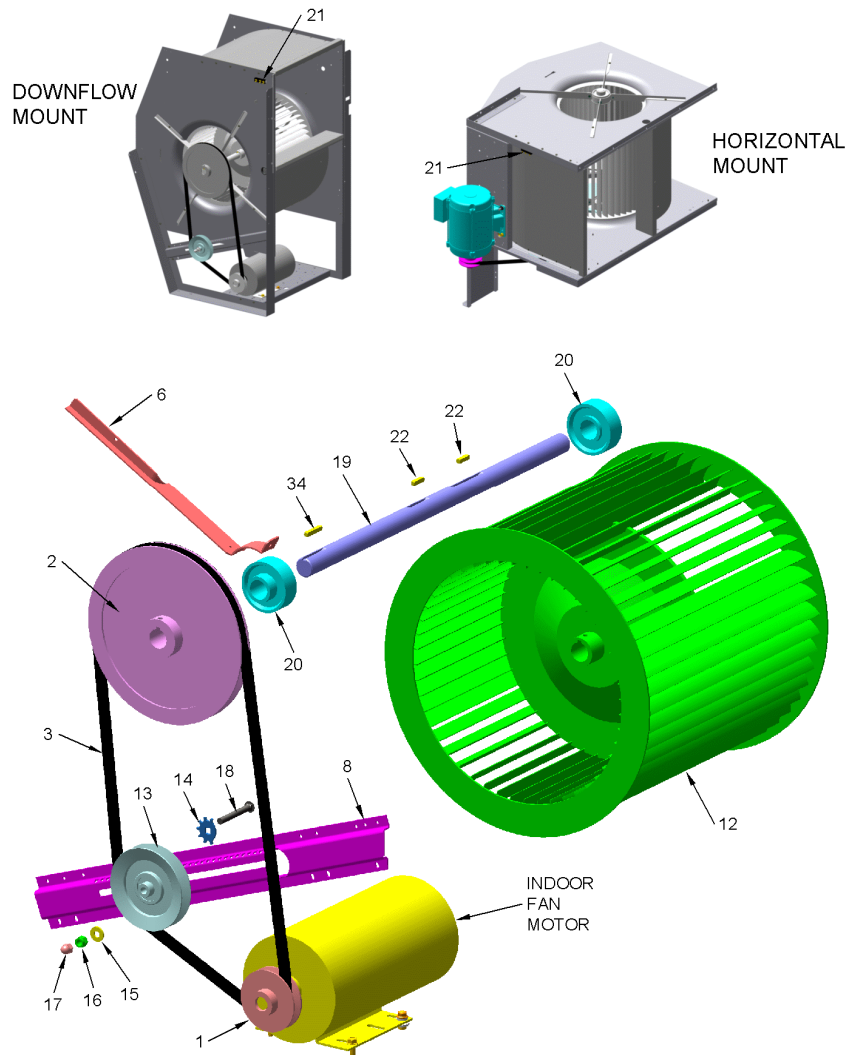


This is a typical illustration. The unit in the field may not appear exactly as shown.

INDOOR FAN ASSEMBLY

75012173

REV.  
A



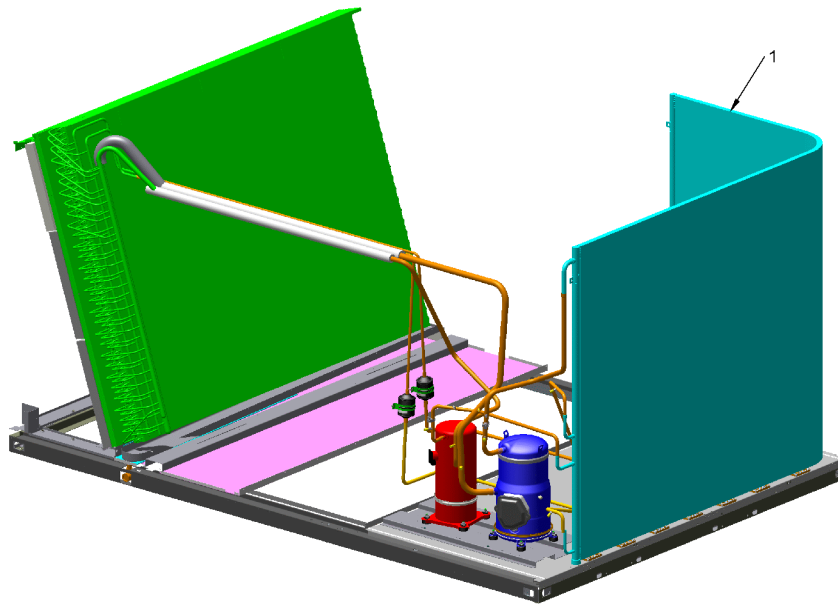
This is a typical illustration. The unit in the field may not appear exactly as shown.

<b>Part No.</b>	<b>Reference No.</b>	<b>Quantity</b>	<b>Description</b>
BRK01162	6	8	BRACKET; BEARING ARM
SUP04426	8	1	SUPPORT; IDLER
FAN05902	12	1	FAN; MORRISON WHEEL; 17.74 DIA X 18.05W
SHE01565	13	1	SHEAVE; STEEL IDLER, V-BELT, 3/8
GER00321	14	1	GEAR; IDLER
WAS00561	15	1	WASHER;FLAT DG
NUT00150	16	1	NUT; HEX, SELF LOCKING, .38-16
NUT00587	17	1	NUT; HEX CAP, 38-16
SHF03714	19	1	SHAFT; 1.19 DIA X 25.968 FAN
BRG00870	20	2	BEARING, 1.19 BORE, 3.09 OD X 1.19 WIDE
KEY01117	22	1	KEY; 0.25 SQ X 2.00 LG
KEY00300	34	1	KEY; 1/4 IN X 1/4 IN X 1-1/2 IN

OUTDOOR CONDENSER COIL

75012175

REV.  
A

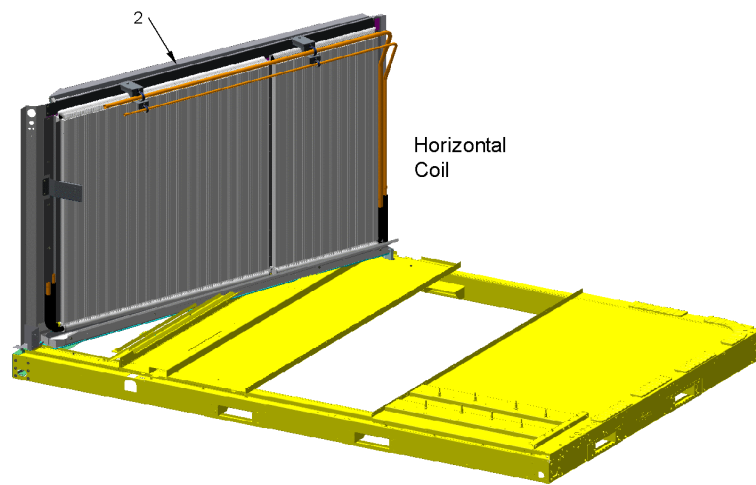
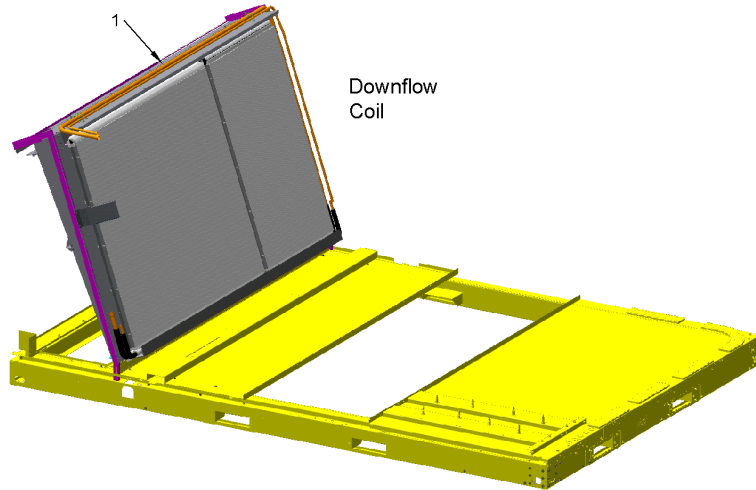


This is a typical illustration. The unit in the field may not appear exactly as shown.

EVAPORATOR COIL

75012098

REV  
A

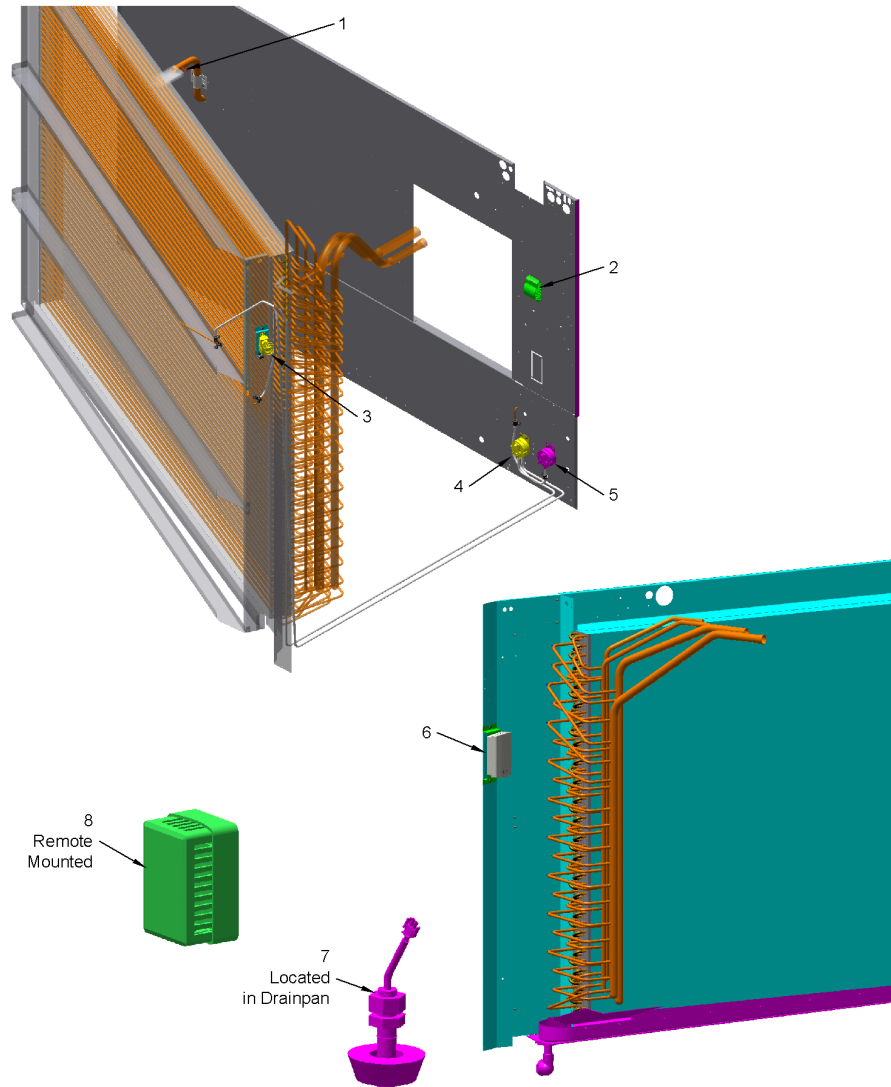


This is a typical illustration. The unit in the field may not appear exactly as shown.

UNIT SENSORS

75009958

REV  
B



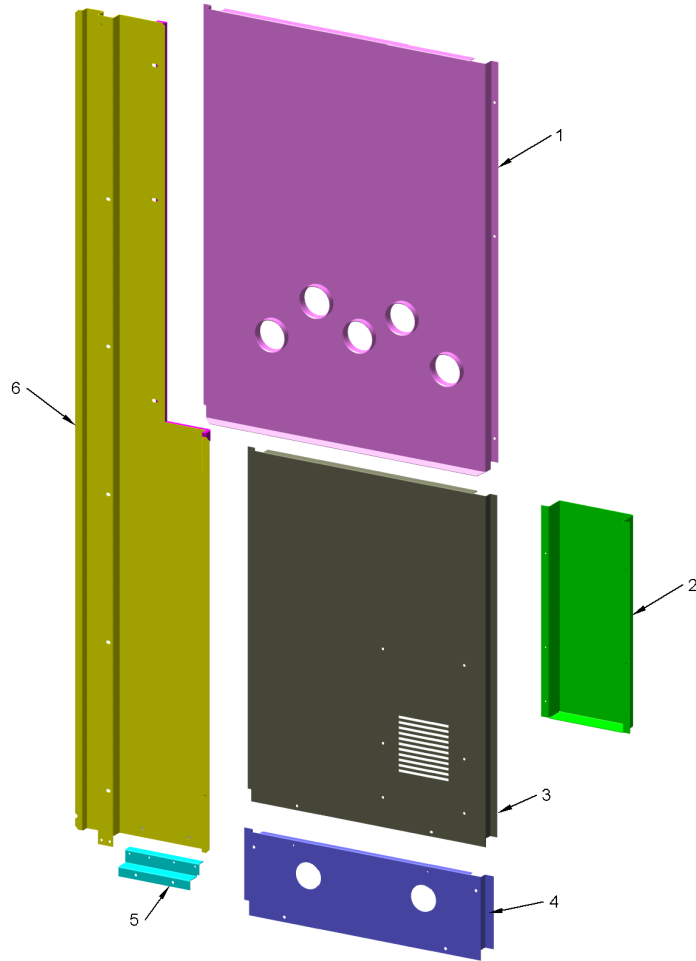
This is a typical illustration. The unit in the field may not appear exactly as shown.

<b>Part No.</b>	<b>Reference No.</b>	<b>Quantity</b>	<b>Description</b>
CNT06848	3	1	CONTROL; DEFROST W / CAPILLARY, 50"

GAS HEAT PANELS

75012751

REV.  
A



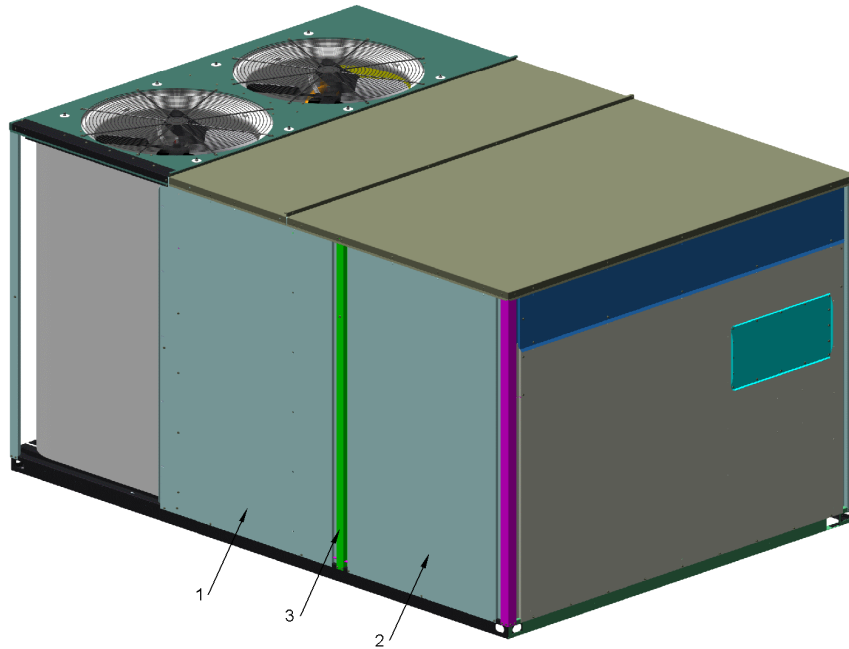
This is a typical illustration. The unit in the field may not appear exactly as shown.

<b>Part No.</b>	<b>Reference No.</b>	<b>Quantity</b>	<b>Description</b>
GRD01226	1	5	GUARD; WIRE CLOTH, 2.92 X 5.00
PNN05751	1	1	PANEL; EXHAUST ASSEMBLY, WITH WIRE GUARDS
COV02222	2	1	COVER; COMBUSTION AIR INTAKE
PNN08157	3	1	PANEL, ACCESS HEAT SECTION ASSEMBLY
BRK01905	5	1	BRACKET; SUPPORT LEFT HAT SECTION ASSEMBLY

AIR FLOW PANELS

75012744

REV.  
A



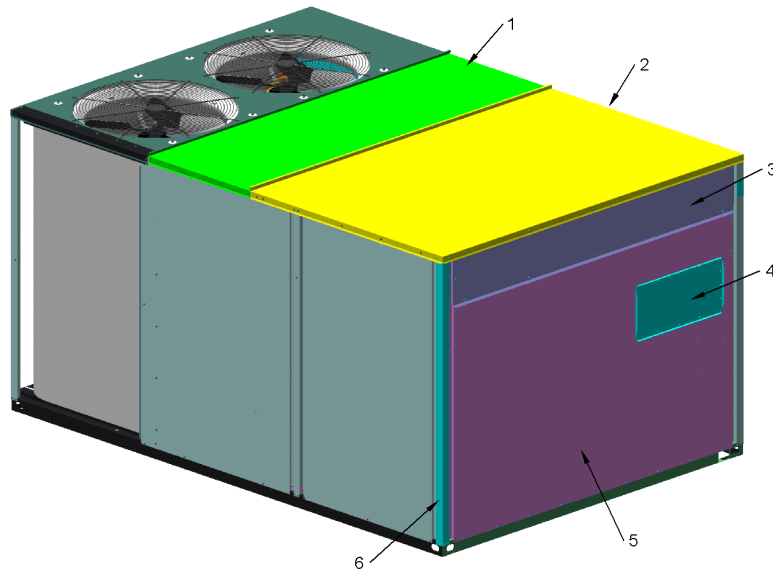
This is a typical illustration. The unit in the field may not appear exactly as shown.

<b>Part No.</b>	<b>Reference No.</b>	<b>Quantity</b>	<b>Description</b>
PNL29933	1	1	PANEL; REAR DF ASSY
PNN01154	2	1	PANEL; REAR, ASSEMBLY
SUP01489	3	1	SUPPORT;RIGHT HAT SECTION

COMM PANELS  
DOWNFLOW

75012749

REV.  
A



This is a typical illustration. The unit in the field may not appear exactly as shown.

<b>Part No.</b>	<b>Reference No.</b>	<b>Quantity</b>	<b>Description</b>
COV01384	1	1	COVER, TOP HEAT SECTION ASSEMBLY
COV01383	2	1	COVER, ID SECTION TOP ASSEMBLY
COV01353	4	1	COVER, MANUAL FRESH AIR, 24.42 X 11.71
PNN01155	5	1	PANEL; ECONOMIZER, END ASSEMBLY
SUP01488	6	1	SUPPORT;CORNER POST REAR ASSEMBLY

VOYAGER

75012144

REV.  
A

OPTIONAL FIELD INSTALLED ACCESSORIES

ACCESSORY TYPE

ECON = Economizer	ISLT = Isolator
ASCT = Anti-Cycle Timer	KSKT = Start Accessory Kit
BARM = Barometric Relief	LEGS = Snow Legs
BASE = Base	LIFT = Roof Mount Kit
BURN = Burner	LOAM = Low Ambient
CTHI = Board-Convention Interface	LPKT = L.P. Kit
CURB = Roofcurb	MOTR = Low Ambient Motor Kit
CCHT = Crankcase Heater	NXKT = No Oxide Kit
DFSR = Air Diffuser	PLNM = Plenum
DMPR = SS Damper	PLUS = Plus One Kit
DNKT = Downflow Kit	PSMN = Power Supply Monitor Kit
FCCV = Flow Control Check Valve	PWRX = Power Exhaust
FLSW = Flow Switch	QACB = Quick Adapt Curb
FLTR = Filter	RLAY = Relay
FRST = High Temperature Sensor	SENS = Sensor
GARD = Coil Guard	SPEK = Single Source Power Entry
HALT = High Altitude Kit	STAT = Thermostat
HSDR = Optimized Sheave Accessory	STMT = Elapsed Time Meter
HSMT = Oversized Motor Kit or High Static Motor	TBKT = Thru Base Utility Kit
HTR = Electric Heater (Digit 7 is used to differentiate the products accessory is used with)	TEST = Test Accessory
ICSI = Board Communication Interface	TIME = ICS Interface Kit
	TXVA = Thermal Expansion Valve Kit
	TXVH = Thermal Expansion Valve Kit
	VDPR = Vent Damper
	WATR = Hot Water or Steam Coil
	2STG = 2 Stage Gas

**When identifying accessories please  
refer to WAVE94591.**

Parts List Number :VOY2UP1

Model Number :YSD240G3RHA1DQY