

Part No.	Reference No.	Quantity	Description
75012744#VOY2UP1~S	*		AIR FLOW PANELS
75009030#VOY2UP1~S	*		BURNER PLATE ASSEMBLY
75012749#VOY2UP1~S	*		COMM PANELS
75010913#VOY2UP1~S	*		COMPRESSOR MOUNTING HARDWARE
75011760#VOY2UP1~S	*		COMPRESSOR POWER HARNESES
75009908#VOY2UP1~S	*		COMPRESSORS AND CRANKCASE HEATERS
75009909#VOY2UP1~S	*		FILTERS AND DRAIN PANS
75012751#VOY2UP1~S	*		GAS HEAT PANELS
75009005#VOY2UP1~S	*		GENERAL ILLUSTRATION
75009033#VOY2UP1~S	*		HEAT EXCHANGER ASSEMBLY, MODULATING GAS HEAT
75011627#VOY2UP1~S	*		HEAT EXCHANGER ASSEMBLY
75011622#VOY2UP1~S	*		HEAT EXCHANGER REPLACEMENT
75009952#VOY2UP1~S	*		INDOOR FAN ASSEMBLY
75009901#VOY2UP1~S	*		MODEL NUMBER DESCRIPTION DIGIT 1-17
75009902#VOY2UP1~S	*		MODEL NUMBER DESCRIPTION DIGIT 18-31
75012144#VOY2UP1~S	*		OPTIONAL FIELD INSTALLED ACCESSORIES
75009910#VOY2UP1~S	*		OUTDOOR CONDENSOR COIL
75009012#VOY2UP1~S	*		OUTDOOR FAN ASSEMBLY
75009944#VOY2UP1~S	*		REFRIGERATION CIRCUIT CONTROLS
75009958#VOY2UP1~S	*		UNIT SENSING
VOY1000_VOY2UP1_100542~P	*		VOYAGER 2 CONFIGURED, 12.5-25 TON PARTS LIST

NO GRAPHIC AVAILABLE

75013702

REV
A

**NO
GRAPHIC
AVAILABLE**

Model Number Description		75009901	REV E
Voyager 2 Digits 1-17			
Digit 1 Unit Type Y= Gas/Electric T= Cooling W= Heat pump	Digit 12,13 Service Sequence	Digit 14 Fresh Air Selection 0= No Fresh Air A= Manual damper D= Econ Dry Bulb w/ barometric relief F= Econ Reference Enthaply with barometric relief H= Econ Comparative Enthaply with barometric relief K= Low Leak Econ Dry Bulb with barometric relief M= Low Leak Econ Reference Enthalpy with barometric relief P= Low Leak Econ Comparative Enthalpy with barometric relief	
Digit 2 Efficiency S= Standard H= High Z= Ultra High	Digit 15 Supply Fan/Drive Type/Motor 0= Standard Drive 1= Oversized Motor 3= High Efficiency Belt Drive 6= Single Zone Variable Air Volume Standard 7= Two Speed Standard 8= Single Zone Variable Air Volume Oversized 9= Two Speed Oversized A= Single Zone Variable Air Volume Standard with Shaft Ground Ring B= Two Speed Standard w/ Shaft Ground Ring C= Single Zone Variable Air Volume Oversized with Shaft Ground Ring D= Two Speed Oversized w/ Shaft Ground Ring E= VAV Supply Air Temperature Control - Standard F= VAV Supply Air Temperature Control - Oversized G= VAV Supply Air Temperature Control - Standard w/ Shaft Ground Ring H= VAV Supply Air Temperature Control - Oversized w/ Shaft Ground Ring		
Digit 3 Airflow D= Downflow H= Horizontal	Digit 16 Hinged Service Access / Filters 0= Standard panels/standard filters A= Hinged access/standard filters B= Standard panels/2" inch pleated filters C= Hinged access/2" inch pleated filters D= Standard panels/MERV 13 filters E= Hinged access/MERV 13 filters		
Digit 4,5,6 Unit Tonnage 150= 12.5 Ton 155= 15 Ton 50 hz 175= 17.5 Ton 50 hz 180= 15 Ton 200= 20 Ton 50 hz 210= 17.5 Ton 240= 20 Ton 250= 25 Ton 50 hz 300= 25 Ton	Digit 17 Condenser Coil Protection 0= Standard coil 1= Standard coil with hail guard 2= Epoxy Coated Condenser Coil 3= Epoxy Coated Condenser Coil and Hail Guard 4= ECoated Coil 5= ECoated Coil with Hail Guard		
Digit 7 Major Design Sequence E= R-410a F= Micro-channel G= ASHRAE 90.1	Digit 11 Minor Design Sequence A= Minor Des. Seq.		
Digit 8 Voltage Selection 3= 230/60/3 4= 460/60/3 D= 380-415/50/3 K= 380/60/3 T= 200/50/3 W= 575/60/3			
Digit 9 Unit Controls R= Reliatel			
Digit 10 Heating Capacity 0= No Heat G= 18 kW electric heat K= 27 kW electric heat N= 36 kW electric heat P= 54 kW electric heat R= 72 kW electric heat H= Gas Heat - High L= Gas Heat - Low V= Gas Heat - Modulating X= Gas Heat - SS Ht Ex - Low Z= Gas Heat - SS Ht Ex - High			

Parts List Number :VOY1000#VOY2UP1

Model Number :YSD180F3RLA0000

Part No.	Reference No.	Quantity	Description
75009901_VOY2UP1_100545~P	*		MODEL NUMBER DESCRIPTION DIGIT 1-17 PARTS LIST

Model Number Description		75009901	REV E
Voyager 2 Digits 1-17			
Digit 1 Unit Type	Digit 12,13 Service Sequence	Digit 14 Fresh Air Selection	
Y= Gas/Electric		0= No Fresh Air	
T= Cooling		A= Manual damper	
W= Heat pump		D= Econ Dry Bulb w/ barometric relief	
Digit 2 Efficiency		F= Econ Reference Enthaply with barometric relief	
S= Standard		H= Econ Comparative Enthaply with barometric relief	
H= High		K= Low Leak Econ Dry Bulb with barometric relief	
Z= Ultra High		M= Low Leak Econ Reference Enthalpy with barometric relief	
Digit 3 Airflow		P= Low Leak Econ Comparative Enthalpy with barometric relief	
D= Downflow		Digit 15 Supply Fan/Drive Type/Motor	
H= Horizontal		0= Standard Drive	
Digit 4,5,6 Unit Tonnage		1= Oversized Motor	
150= 12.5 Ton		3= High Efficiency Belt Drive	
155= 15 Ton 50 hz		6= Single Zone Variable Air Volume Standard	
175= 17.5 Ton 50 hz		7= Two Speed Standard	
180= 15 Ton		8= Single Zone Variable Air Volume Oversized	
200= 20 Ton 50 hz		9= Two Speed Oversized	
210= 17.5 Ton		A= Single Zone Variable Air Volume Standard with Shaft Ground Ring	
240= 20 Ton		B= Two Speed Standard w/ Shaft Ground Ring	
250= 25 Ton 50 hz		C= Single Zone Variable Air Volume Oversized with Shaft Ground Ring	
300= 25 Ton		D= Two Speed Oversized w/ Shaft Ground Ring	
Digit 7 Major Design Sequence		E= VAV Supply Air Temperature Control - Standard	
E= R-410a		F= VAV Supply Air Temperature Control - Oversized	
F= Micro-channel		G= VAV Supply Air Temperature Control - Standard w/ Shaft Ground Ring	
G= ASHRAE 90.1		H= VAV Supply Air Temperature Control - Oversized w/ Shaft Ground Ring	
Digit 8 Voltage Selection		Digit 16 Hinged Service Access / Filters	
3= 230/60/3		0= Standard panels/standard filters	
4= 460/60/3		A= Hinged access/standard filters	
D= 380-415/50/3		B= Standard panels/2" inch pleated filters	
K= 380/60/3		C= Hinged access/2" inch pleated filters	
T= 200/50/3		D= Standard panels/MERV 13 filters	
W= 575/60/3		E= Hinged access/MERV 13 filters	
Digit 9 Unit Controls		Digit 17 Condenser Coil Protection	
R= Reliatel		0= Standard coil	
Digit 10 Heating Capacity		1= Standard coil with hail guard	
0= No Heat		2= Epoxy Coated Condenser Coil	
G= 18 kW electric heat		3= Epoxy Coated Condenser Coil and Hail Guard	
K= 27 kW electric heat		4= ECoated Coil	
N= 36 kW electric heat		5= ECoated Coil with Hail Guard	
P= 54 kW electric heat			
R= 72 kW electric heat			
H= Gas Heat - High			
L= Gas Heat - Low			
V= Gas Heat - Modulating			
X= Gas Heat - SS Ht Ex - Low			
Z= Gas Heat - SS Ht Ex - High			
Digit 11 Minor Design Sequence			
A= Minor Des. Seq.			

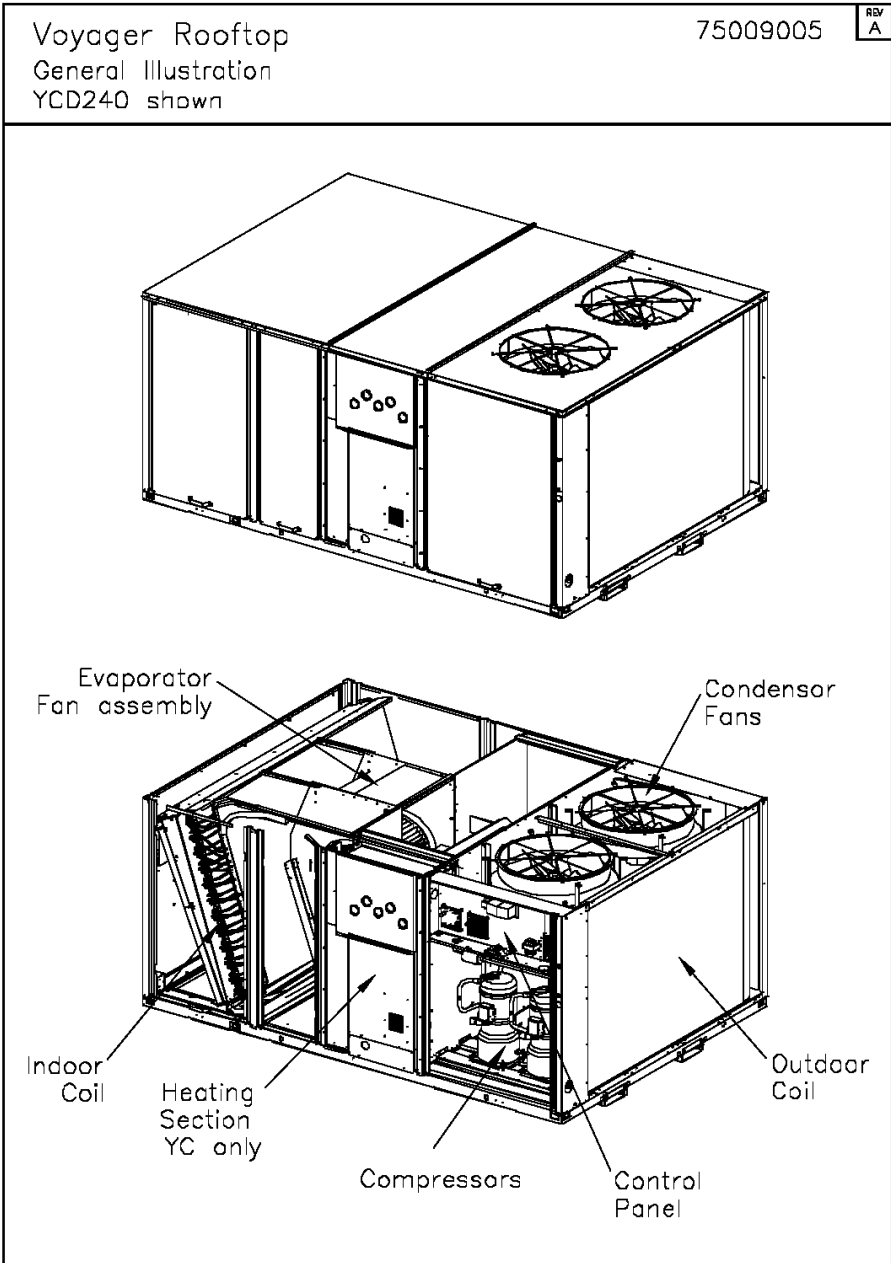
Model Number Description	75009902	REV E
<p>Voyager 2 Digits 18-31</p>		
<p>Digit 18 Through The Base Provisions 0= No through the base provisions A= Through the base electric B= Through the base gas C= Through the base electric and gas D= Through the base access</p>	<p>Digit 25 System Monitoring Controls 0= No monitoring controls 1= Clogged filter switch 2= Fan failure switch 3= Discharge air sensing 4= Clogged filter switch and fan failure 5= Clogged switch and discharge air sensing 6= Fan failure switch and discharge air sensing 7= Clogged filter switch, fan failure switch and discharge air sensing 8= NOVAR Return Air Sensor (Novar 2024) 9= NOVAR Zone Temp Sensor (Novar 3051)</p>	
<p>Digit 19 Disconnect Switch/ Circuit Breaker 0= No Disconnect, circuit break, phase monitor 1= Unit Mount Non-Fused and Disconnect Switch 2= Unit Mount Circuit Breaker 3= Phase Monitor 4= Phase Monitor and Disconnect 5= Phase Monitor and Circuit Breaker</p>	<p>A= Condensate Overflow Switch B= Condensate Overflow Switch and Clogged filter switch C= Condensate Overflow Switch and Fan Fail D= Condensate Overflow Switch and Discharge Air E= Condensate Overflow Switch and Clogged filter switch, Fan Fail F= Condensate Overflow Switch and Clogged filter switch, Discharge Air G= Condensate Overflow Switch and Fan Fail, Discharge Air H= Condensate Overflow Switch, Clogged Filter, Fan Fail, Discharge Air</p>	
<p>Digit 20 Convenience Outlet Option 0= Without Convenience Outlet A= Convenience Outlet Unpowered (FIELD) B= Convenience Outlet Powered (FACTORY)</p>	<p>Digit 26 System Monitoring Controls 0= No monitoring controls A= Demand Control Ventilation B= Fault Detection Device C= Demand Control Ventilation and Fault Detection Device</p>	
<p>Digit 21 Communications Options 0= Without Communications Options 1= Trane Communications Interface 2= Lontalk Communications Interface 3= Novar 2024 Controls Interface 4= Novar 3051 Controls Interface 5= Novar 3051 Communications Interface with Demand Control Ventilation 6= Building Automation Control Network Communications Interface 7= Wireless Building Automation Control Network Communications Interface</p>	<p>Digit 27 Stainless Steel Drain pan 0= No stainless Drain pan 1= Stainless Steel Drain pan</p>	
<p>Digit 22 Refrigeration System Option 0= Standard refrigeration system A= Thermal Expansion Valve (TXV) B= Dehumidification (hot gas reheat)</p>	<p>Digit 28 Short Circuit Current Rating (SCCR) 0= Standard A= 65kA</p>	
<p>Digit 23 Refrigeration Controls 0= Without Refrigeration Controls 1= Frostat 2= Crankcase Heater 3= Frostat and Crankcase Heater 4= High Pressure Control 5= High Pressure Control and Frostat 6= High Pressure and Crankcase Heater 7= High Pressure, Crankcase Heater, Frostat</p>	<p>Digit 29,30 Reserved For Future 0= Standard</p>	
<p>Digit 24 Smoke Detector 0= Without Smoke Detector A= Return Air Smoke Detector B= Supply Air Smoke Detector C= Return/Supply Air Smoke Detector</p>	<p>Digit 31 Unit Controls 0= Standard</p>	

Parts List Number :VOY1000#VOY2UP1

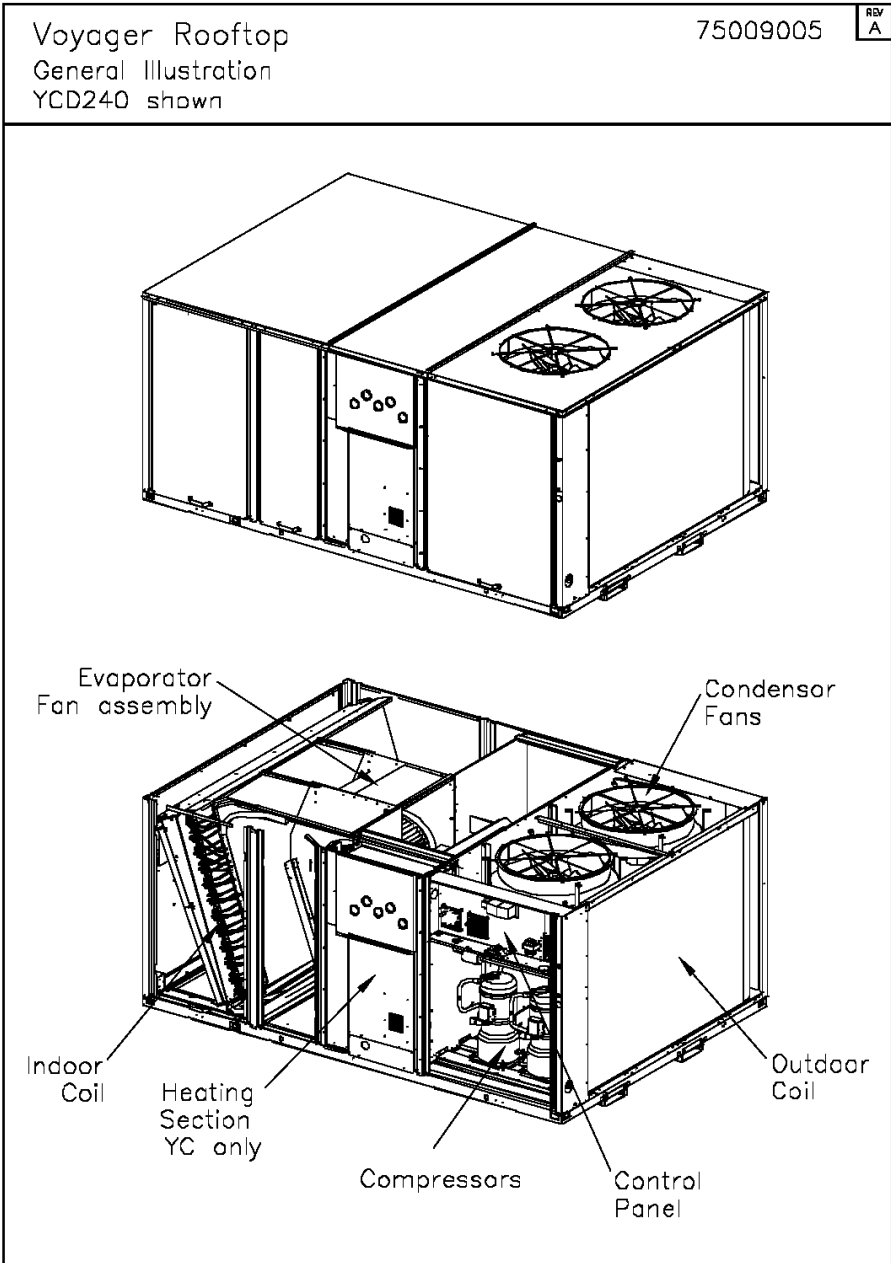
Model Number :YSD180F3RLA0000

Part No.	Reference No.	Quantity	Description
75009902_VOY2UP1_100546~P	*		MODEL NUMBER DESCRIPTION DIGIT 18-31 PARTS LIST

Model Number Description	75009902	REV E
<p>Voyager 2 Digits 18-31</p>		
<p>Digit 18 Through The Base Provisions 0= No through the base provisions A= Through the base electric B= Through the base gas C= Through the base electric and gas D= Through the base access</p>	<p>Digit 25 System Monitoring Controls 0= No monitoring controls 1= Clogged filter switch 2= Fan failure switch 3= Discharge air sensing 4= Clogged filter switch and fan failure</p>	
<p>Digit 19 Disconnect Switch/ Circuit Breaker 0= No Disconnect, circuit break, phase monitor 1= Unit Mount Non-Fused and Disconnect Switch 2= Unit Mount Circuit Breaker 3= Phase Monitor 4= Phase Monitor and Disconnect 5= Phase Monitor and Circuit Breaker</p>	<p>5= Clogged switch and discharge air sensing 6= Fan failure switch and discharge air sensing 7= Clogged filter switch, fan failure switch and discharge air sensing 8= NOVAR Return Air Sensor (Novar 2024) 9= NOVAR Zone Temp Sensor (Novar 3051)</p>	
<p>Digit 20 Convenience Outlet Option 0= Without Convenience Outlet A= Convenience Outlet Unpowered (FIELD) B= Convenience Outlet Powered (FACTORY)</p>	<p>A= Condensate Overflow Switch B= Condensate Overflow Switch and Clogged filter switch C= Condensate Overflow Switch and Fan Fail</p>	
<p>Digit 21 Communications Options 0= Without Communications Options 1= Trane Communications Interface 2= Lontalk Communications Interface 3= Novar 2024 Controls Interface 4= Novar 3051 Controls Interface 5= Novar 3051 Communications Interface with Demand Control Ventilation 6= Building Automation Control Network Communications Interface 7= Wireless Building Automation Control Network Communications Interface</p>	<p>D= Condensate Overflow Switch and Discharge Air E= Condensate Overflow Switch and Clogged filter switch, Fan Fail F= Condensate Overflow Switch and Clogged filter switch, Discharge Air G= Condensate Overflow Switch and Fan Fail, Discharge Air H= Condensate Overflow Switch, Clogged Filter, Fan Fail, Discharge Air</p>	
<p>Digit 22 Refrigeration System Option 0= Standard refrigeration system A= Thermal Expansion Valve (TXV) B= Dehumidification (hot gas reheat)</p>	<p>Digit 26 System Monitoring Controls 0= No monitoring controls A= Demand Control Ventilation B= Fault Detection Device C= Demand Control Ventilation and Fault Detection Device</p>	
<p>Digit 23 Refrigeration Controls 0= Without Refrigeration Controls 1= Froststat 2= Crankcase Heater 3= Froststat and Crankcase Heater 4= High Pressure Control 5= High Pressure Control and Froststat 6= High Pressure and Crankcase Heater 7= High Pressure, Crankcase Heater, Froststat</p>	<p>Digit 27 Stainless Steel Drain pan 0= No stainless Drain pan 1= Stainless Steel Drain pan</p>	
<p>Digit 24 Smoke Detector 0= Without Smoke Detector A= Return Air Smoke Detector B= Supply Air Smoke Detector C= Return/Supply Air Smoke Detector</p>	<p>Digit 28 Short Circuit Current Rating (SCCR) 0= Standard A= 65kA</p>	
	<p>Digit 29,30 Reserved For Future 0= Standard</p>	
	<p>Digit 31 Unit Controls 0= Standard</p>	



Part No.	Reference No.	Quantity	Description
75009005_VOY2UP1_100543~P	*		GENERAL ILLUSTRATION PARTS LIST

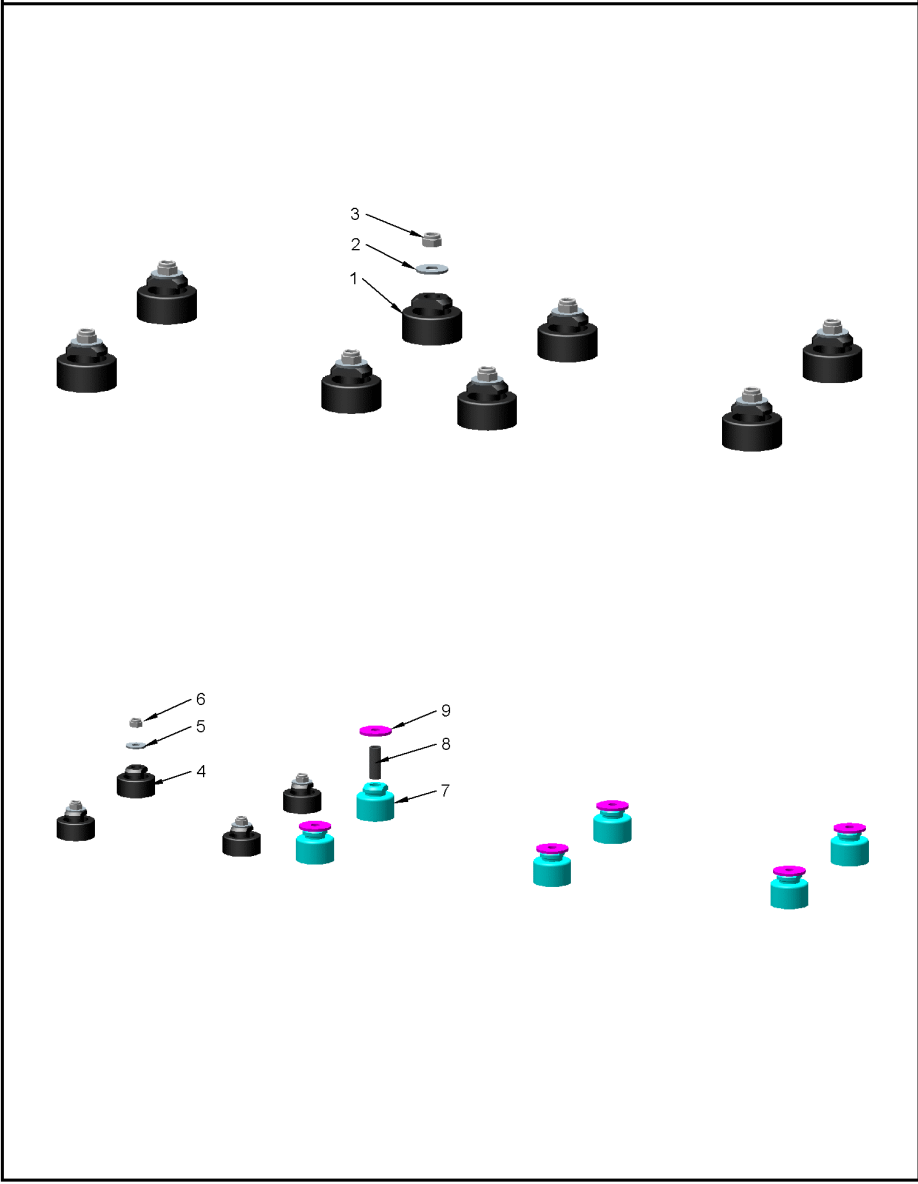


COMPRESSOR MOUNTING HARDWARE

75010913

REV.
A

VOYAGER 2
TYPICAL ILLUSTRATION



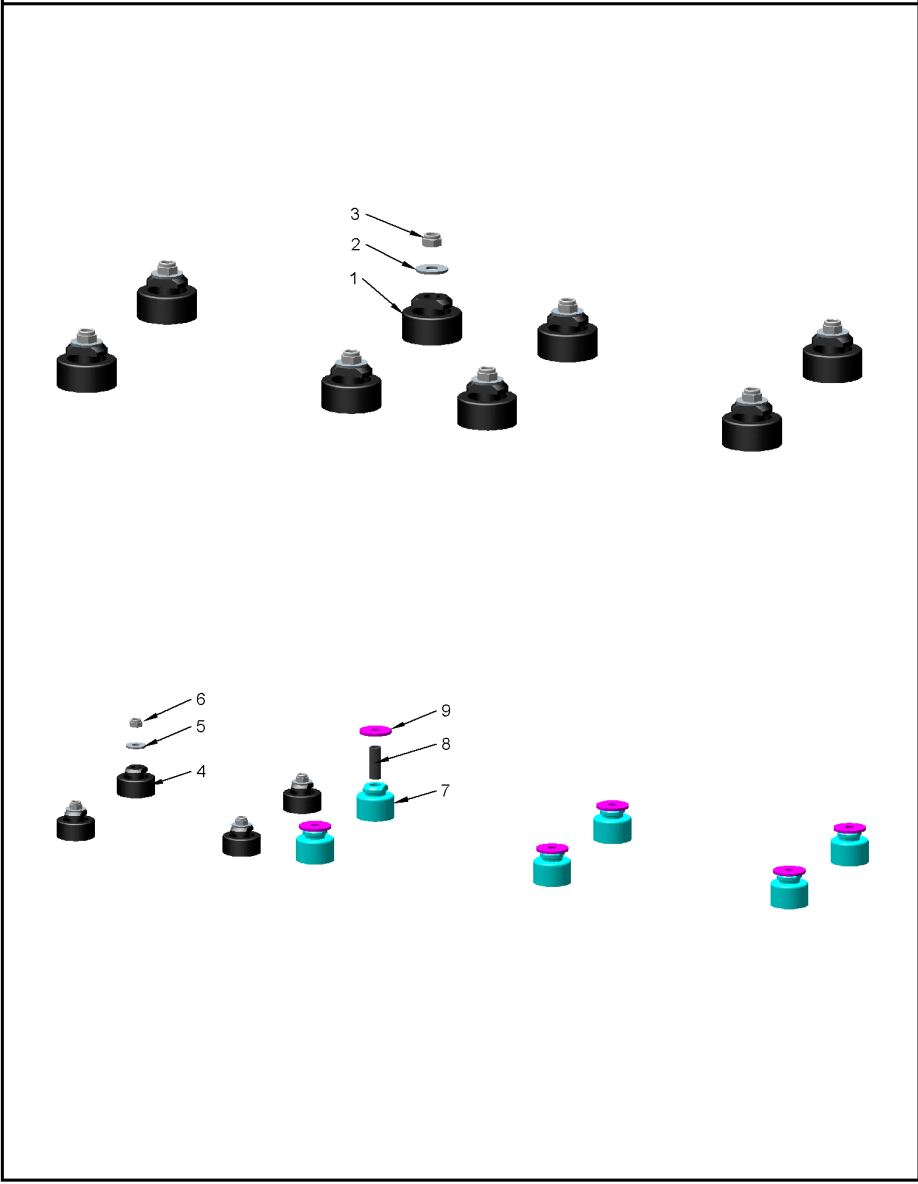
Part No.	Reference No.	Quantity	Description
75010913_VOY2UP1_100688~P	*		COMPRESSOR MOUNTING HARDWARE PARTS LIST

COMPRESSOR MOUNTING HARDWARE

75010913

REV.
A

VOYAGER 2
TYPICAL ILLUSTRATION



COMPRESSOR MOUNTING HARDWARE PARTS LIST

Parts List Number :VOY1000#VOY2UP1

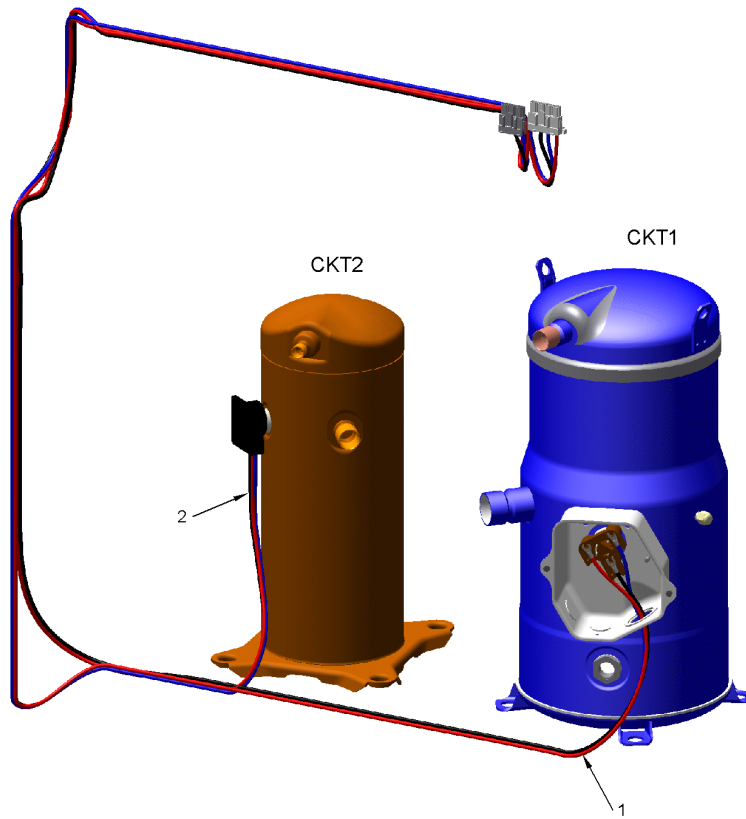
Model Number :YSD180F3RLA0000

Part No.	Reference No.	Quantity	Description
GRM00888	1	8	GROMMET; ISOLATOR, COMPRESSOR, .438 ID X .160 GRV, .750 DIA X 1.625 OD, BLACK NEOPRENE RUBBER
NUT00355	3	8	NUT; HEX, LOCK, 5/16IN.-18

COMPRESSOR POWER HARNESSSES

75011760

REV
A



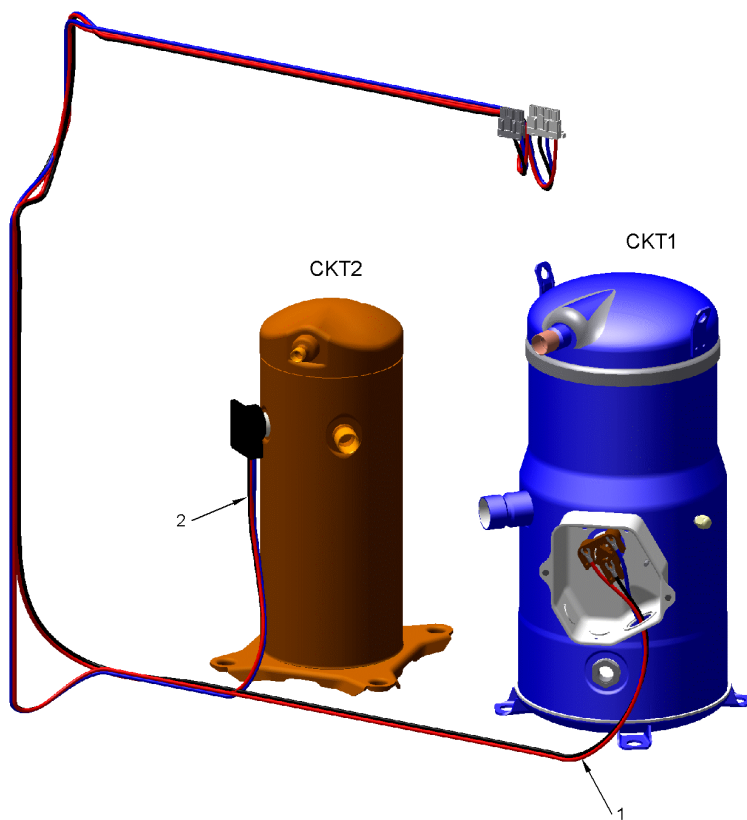
This is a typical illustration. The unit in the field may not appear exactly as shown.

Part No.	Reference No.	Quantity	Description
75011760_VOY2UP1_108030~P	*		COMPRESSOR POWER HARNESSES PARTS LIST

COMPRESSOR POWER HARNESSSES

75011760

REV
A



This is a typical illustration. The unit in the field may not appear exactly as shown.

Parts List Number :VOY1000#VOY2UP1

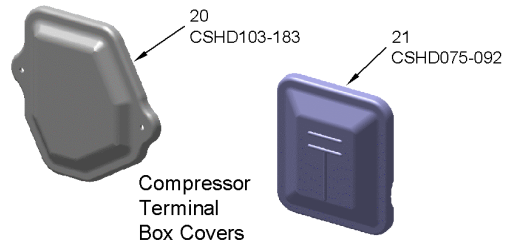
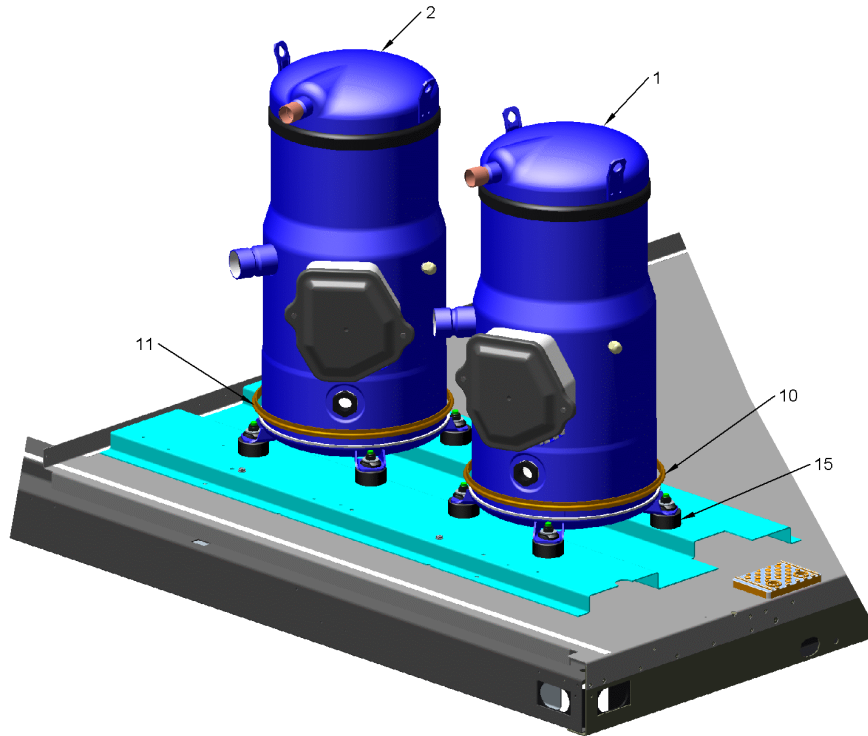
Model Number :YSD180F3RLA0000

Part No.	Reference No.	Quantity	Description
WIR08285	2	1	WIRE; HARNESS, COMPRESSOR POWER - CIRCUIT 2

COMPRESSORS
AND CRANKCASE HEATERS

75009908

REV
B



This is a typical illustration. The unit in the field may not appear exactly as shown.

Parts List Number :VOY1000#VOY2UP1

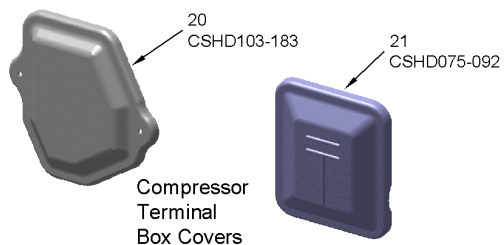
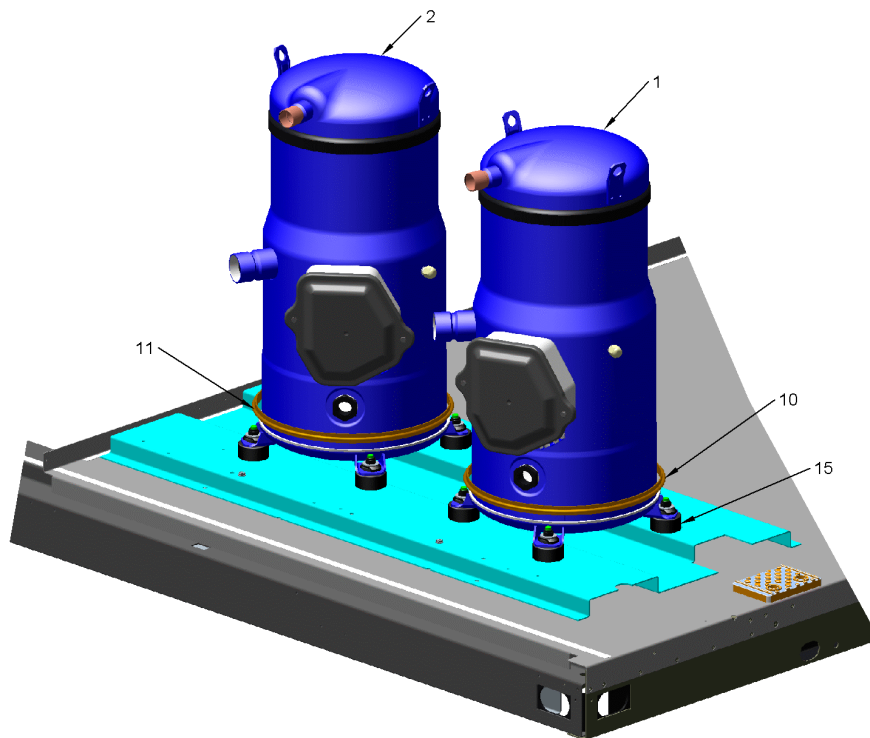
Model Number :YSD180F3RLA0000

Part No.	Reference No.	Quantity	Description
75009908_VOY2UP1_146046~P	*		COMPRESSORS AND CRANKCASE HEATERS PARTS LIST

COMPRESSORS
AND CRANKCASE HEATERS

75009908

REV
B



This is a typical illustration. The unit in the field may not appear exactly as shown.

Parts List Number :VOY1000#VOY2UP1

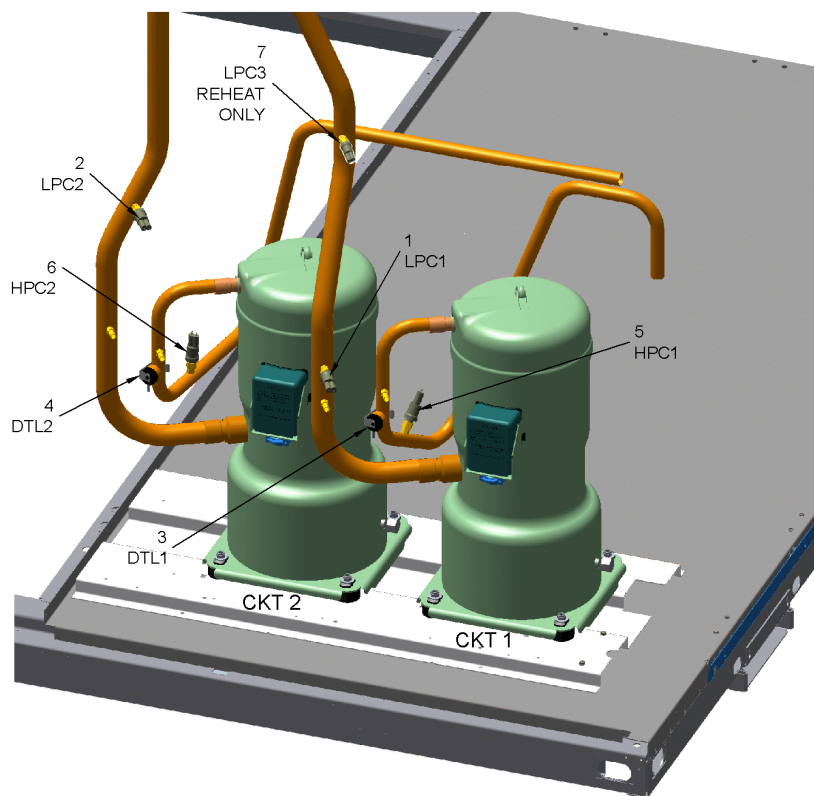
Model Number :YSD180F3RLA0000

Part No.	Reference No.	Quantity	Description
HTR15175	10	1	HEATER; CRANKCASE, 95 WATTS, 230 VOLTS
HTR15357	11	1	HEATER; CRANKCASE, 70W 230V 6.63 DIA
GRM00888	15	8	GROMMET; ISOLATOR, COMPRESSOR, .438 ID X .160 GRV, .750 DIA X 1.625 OD, BLACK NEOPRENE RUBBER
COV04174	20	0	COVER; TERMINAL BOX, R410A, LIQUID TIGHT
KIT16237	21	0	KIT; COMPRESSOR COMPONENTS - INCLUDES COVER, TERMINAL BLOCK AND CLIP

REFRIGERATION CIRCUIT CONTROLS

75009944

REV
B



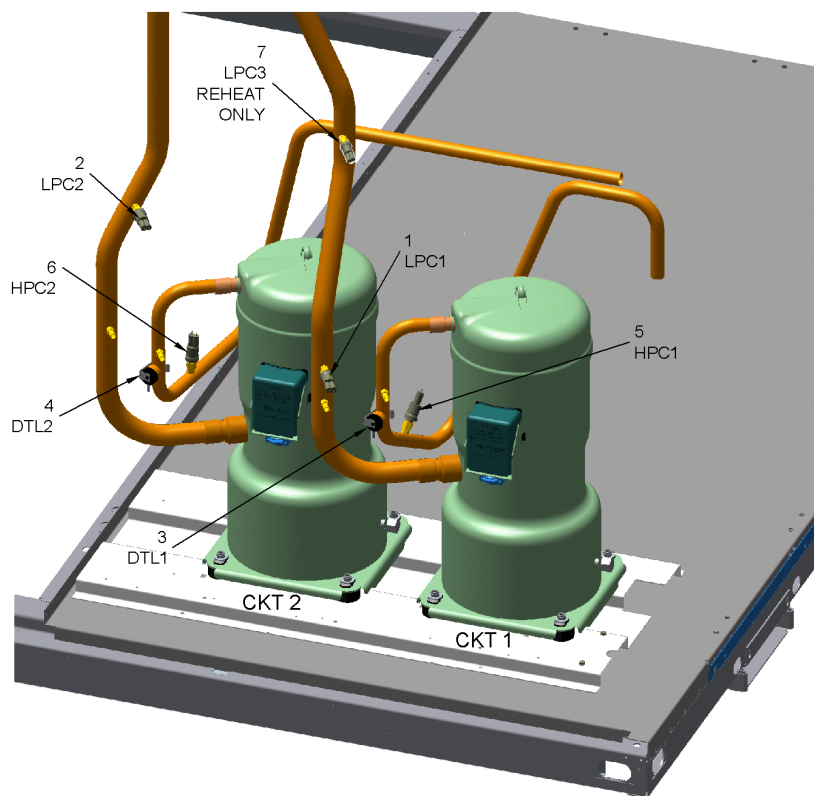
This is a typical illustration. The unit in the field may not appear exactly as shown.

Part No.	Reference No.	Quantity	Description
75009944_VOY2UP1_101402~P	*		REFRIGERATION CIRCUIT CONTROLS PARTS LIST

REFRIGERATION CIRCUIT CONTROLS

75009944

REV
B



This is a typical illustration. The unit in the field may not appear exactly as shown.

Parts List Number :VOY1000#VOY2UP1

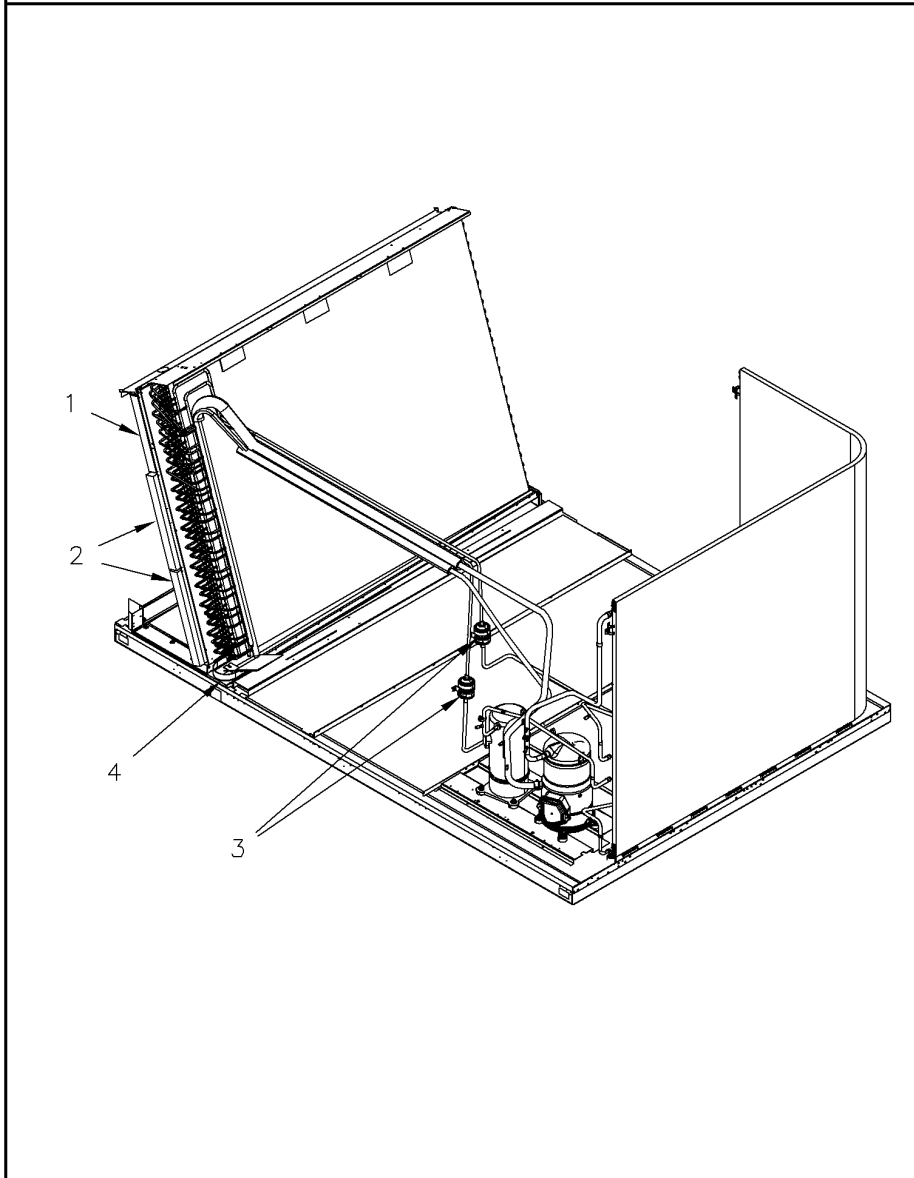
Model Number :YSD180F3RLA0000

Part No.	Reference No.	Quantity	Description
CNT04959	1	1	CONTROL; LOW PRESSURE, CLOSE ON RISE 41 PSIG, OPEN ON FALL 25 PSIG, 6.0 FLA, 36 LRA AT 120/240 VAC, BLUE LEADS
CNT04961	2	1	CONTROL, LOW PRESSURE, 25 OPEN, 41 CLOSE, .25 FFL, 55.00 LEADS WITH 1/4 INSUL., FEMALE QC TERMINAL
THT02762	3	1	THERMOSTAT; WITH CLIP, .875 TUBE, 72" BLACK WIRES, SPST, 230F OPEN, 180F CLOSE
THT02761	4	1	THERMOSTAT; WITH CLIP, .5/.625 TUBE, 72" RED WIRES, SPST, 230F OPEN, 180F CLOSE
CNT04958	5	1	CONTROL; HIGH PRESSURE CUTOUT, ACTUATION PRESSURE 650 PSIG, DEACTUATION PRESSURE 550 PSIG, 6.0 FLA, 36 LRA AT 120/240 VAC, 72 IN LEADS WITH FEMALE 1/4 QC
CNT04960	6	1	CONTROL; HIGH PRESSURE, 650 OPEN, 550 CLOSE, .25 FFL W/DEFLATOR, 72.00 RED LEADS WITH 1/4 FEMALE AND MALE QC-BLACK.

FILTERS AND DRAIN PANS

75009909

REV
A

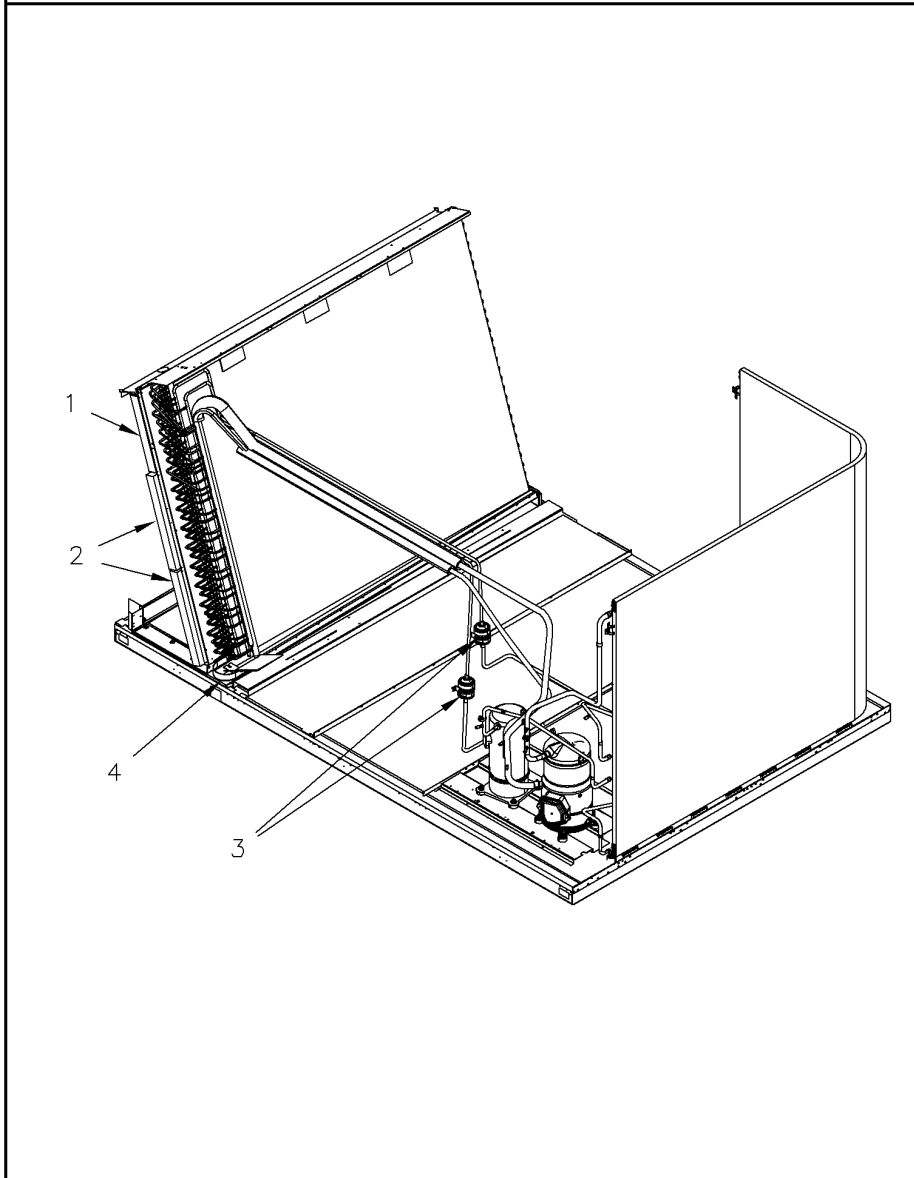


Part No.	Reference No.	Quantity	Description
75009909_VOY2UP1_108026~P	*		FILTERS AND DRAIN PANS PARTS LIST

FILTERS AND DRAIN PANS

75009909

REV
A

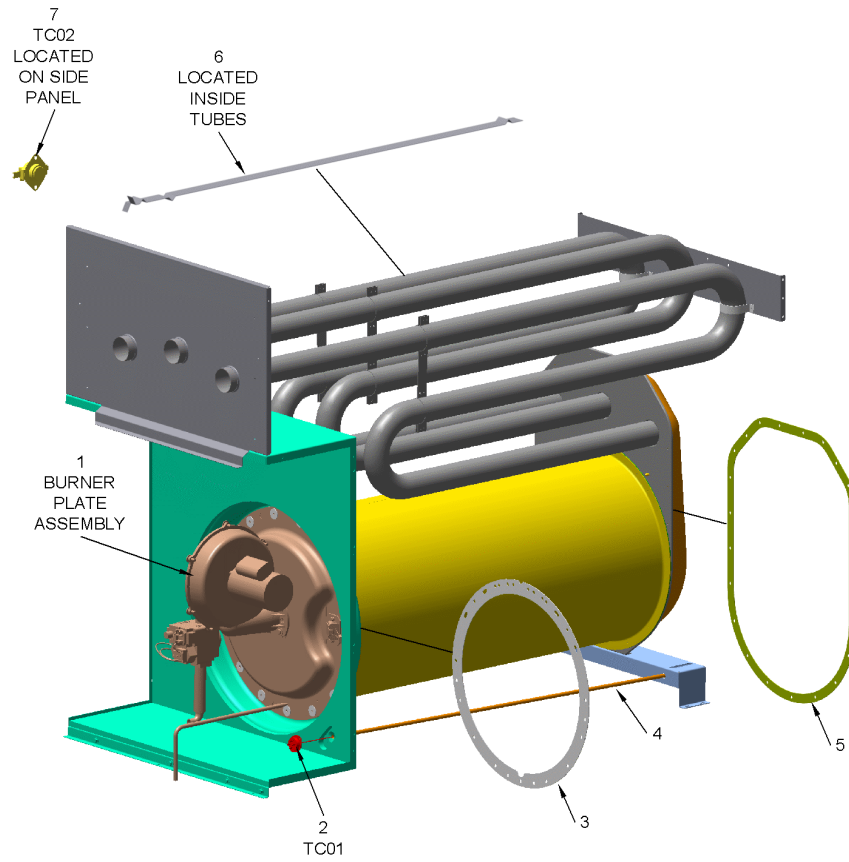


Part No.	Reference No.	Quantity	Description
TOL04139	*	2	TOOL; FILTER REMOVAL
DHY01470	3	2	DRIER; LIQUID LINE; SERVICE FIRST; 16 CU. IN. DCL165/4S, 5/8 ODF INLET X 1/2 ODF OUTLET; 11.4 TON CAPACITY; APPROVED FOR MINERAL OIL AND POE OIL REF

HEAT EXCHANGER PARTS

75011627

REV.
A



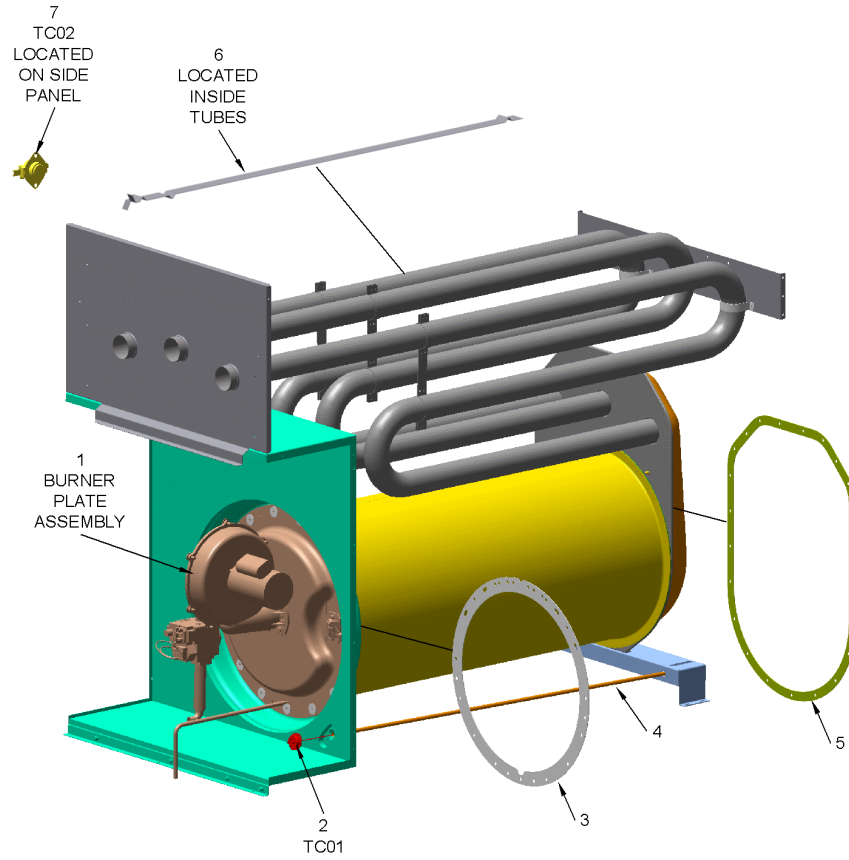
This is a typical illustration. The unit in the field may not appear exactly as shown.

Part No.	Reference No.	Quantity	Description
75009030#VOY2UP1~S	*		BURNER PLATE ASSEMBLY
75011627_VOY2UP1_100691~P	*		HEAT EXCHANGER ASSEMBLY PARTS LIST

HEAT EXCHANGER PARTS

75011627

REV.
A

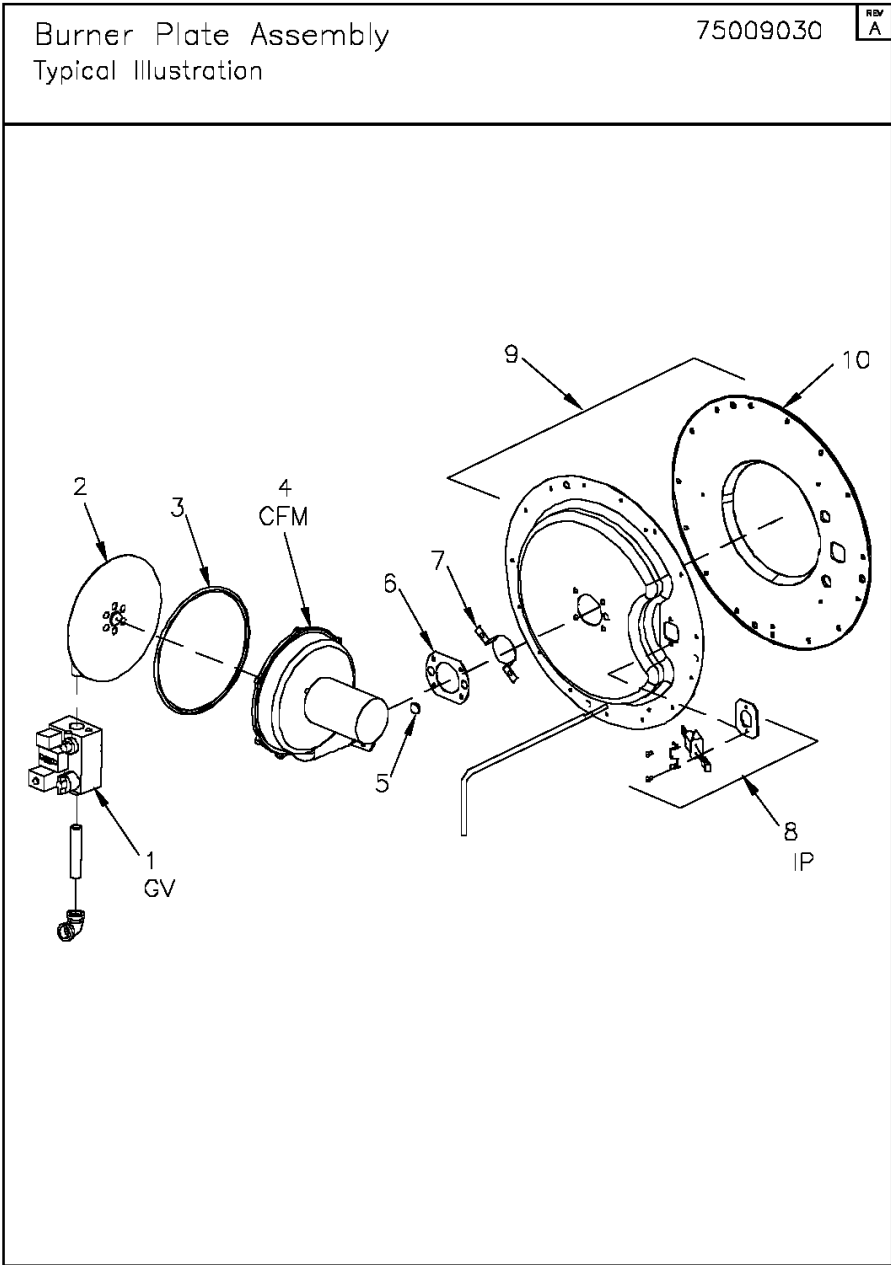


This is a typical illustration. The unit in the field may not appear exactly as shown.

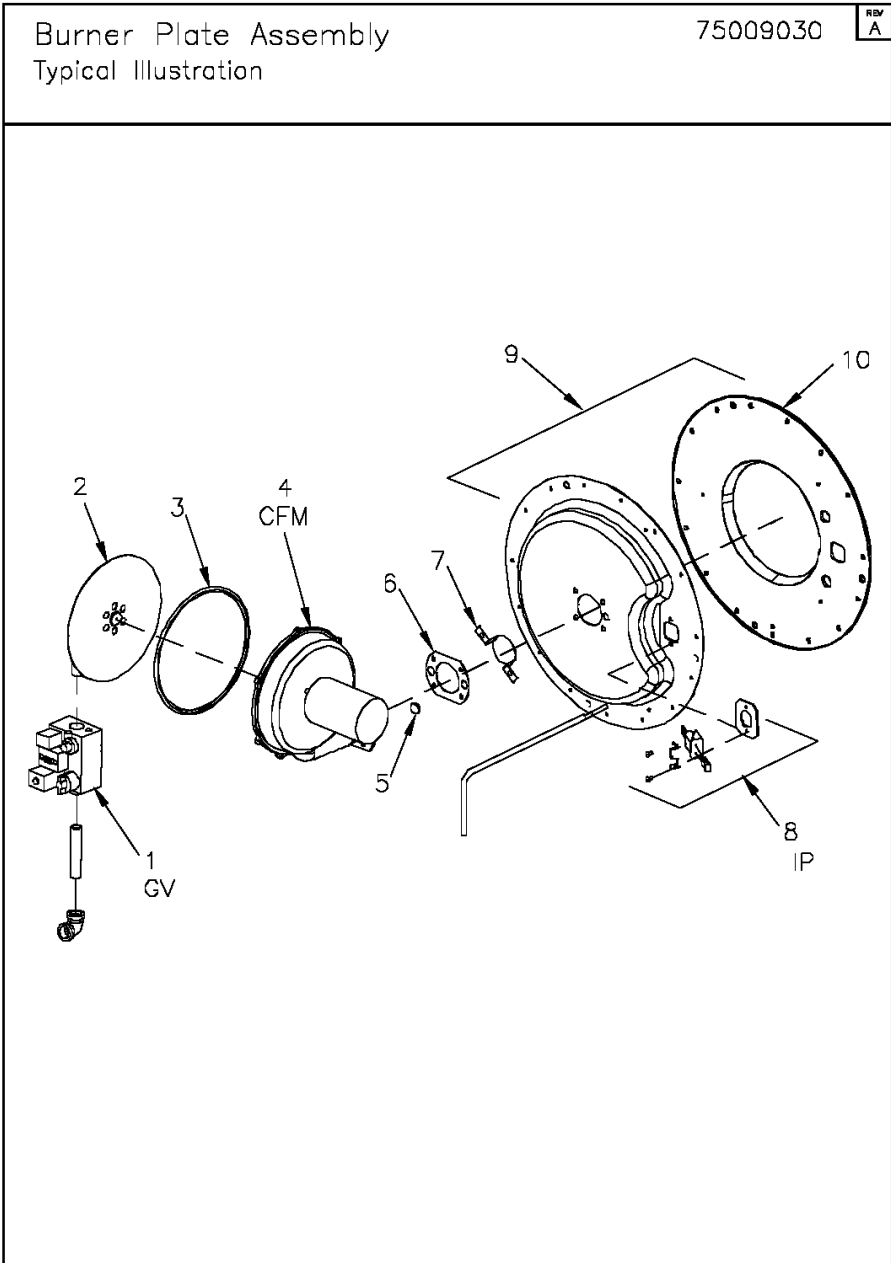
Parts List Number :VOY1000#VOY2UP1

Model Number :YSD180F3RLA0000

Part No.	Reference No.	Quantity	Description
CNT01045	2	1	CONTROL; LIMIT, 180F, NORMALLY CLOSED, AUTO RESET
GKT02141	3	1	GASKET; .06 THK X 18.85 DIAMETER, HI-TEMP
TUB04715	4	1	TUBE; TEMPERATURE PROBE
GKT02142	5	1	GASKET; .06 THK, HI-TEMP, DRUM END COVER
TRB00025	6	3	TURBULATOR;
CNT01031	7	1	CONTROL; TEMP LIMIT, SPDT, OPEN 150F, CLOSE 110F



Part No.	Reference No.	Quantity	Description
75009030_VOY2UP1_100675~P	*		BURNER PLATE ASSEMBLY PARTS LIST

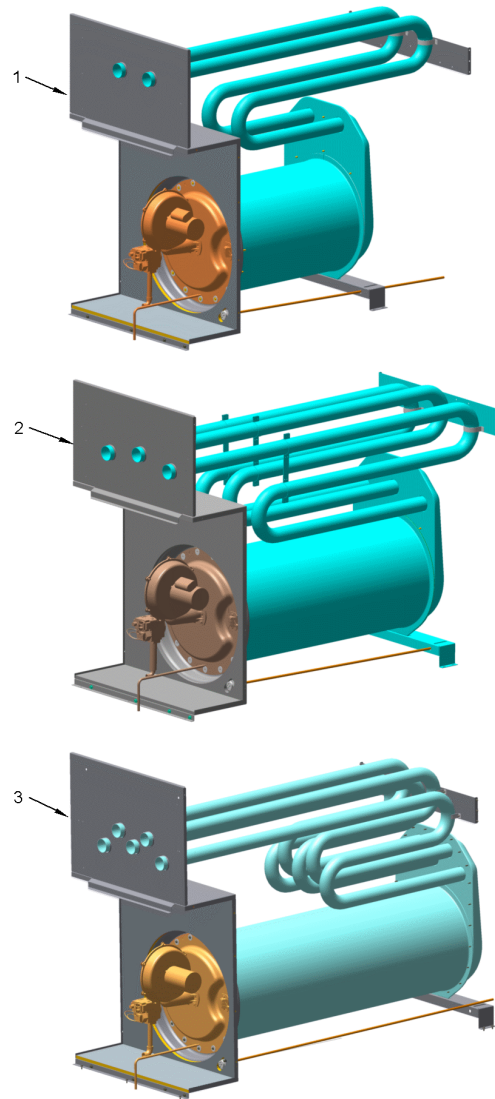


Part No.	Reference No.	Quantity	Description
CNT01221	1	1	CONTROL; VALVE, GAS, .75 NPTI, 24 VAC, NEGATIVE PRESSURE OPERATION
ORF01029	2	1	ORIFICE; #P-.323 DIAMETER
GKT03053	3	1	GASKET; EDGE TRIM, .062 X 9.0 DIAMETER
FAN02160	4	1	FAN; BLOWER, COMBUSTION, W/MOTOR, 1/10 HP, 208-230/60/1
GLS00144	5	1	GLASS; SIGHT, .75 OD X .12 THK
GKT04206	6	1	GASKET; SPECIALTY; .125 THK X 4.16 DIA, SILICONE SPONGE (RED), MAX TEMP 450 DEG F W/HOLES PRESSURE SENSITIVE BACKING
BAF00304	7	1	BAFFLE;COMBUSTION BLOWER
KIT03033	8	1	KIT; IGNITOR
PLT04092	9	1	PLATE; BURNER CAP ASSEMBLY, 17"DRUM, 250 MBH
INS01720	10	1	INSULATION; BURNER HEAT SHIELD BARRIER, 7.56" ID X 19.2" OD

HEAT EXCHANGER REPLACEMENT

75011622

REV.
A



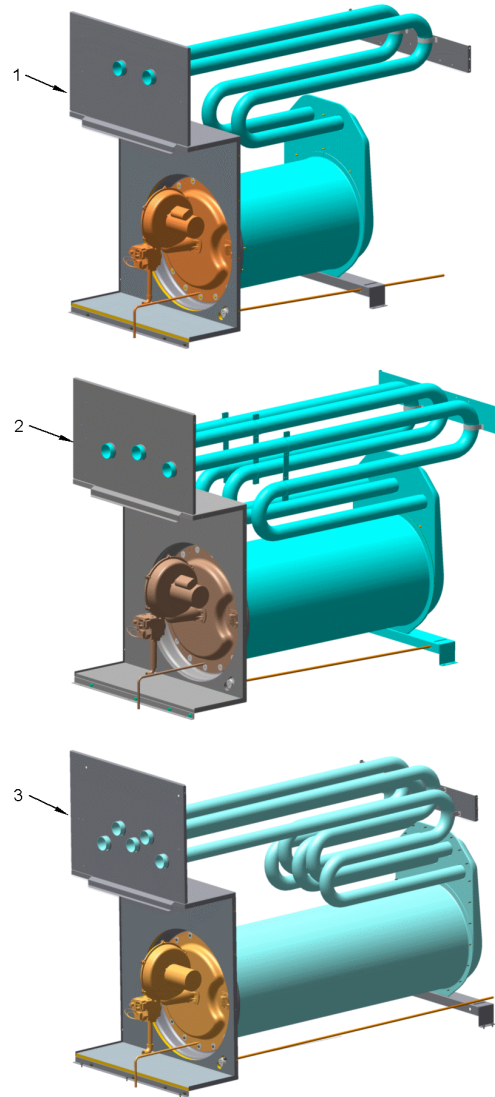
This is a typical illustration. The unit in the field may not appear exactly as shown.

Part No.	Reference No.	Quantity	Description
75011622_VOY2UP1_109281~P	*		HEAT EXCHANGER REPLACEMENT PARTS LIST

HEAT EXCHANGER REPLACEMENT

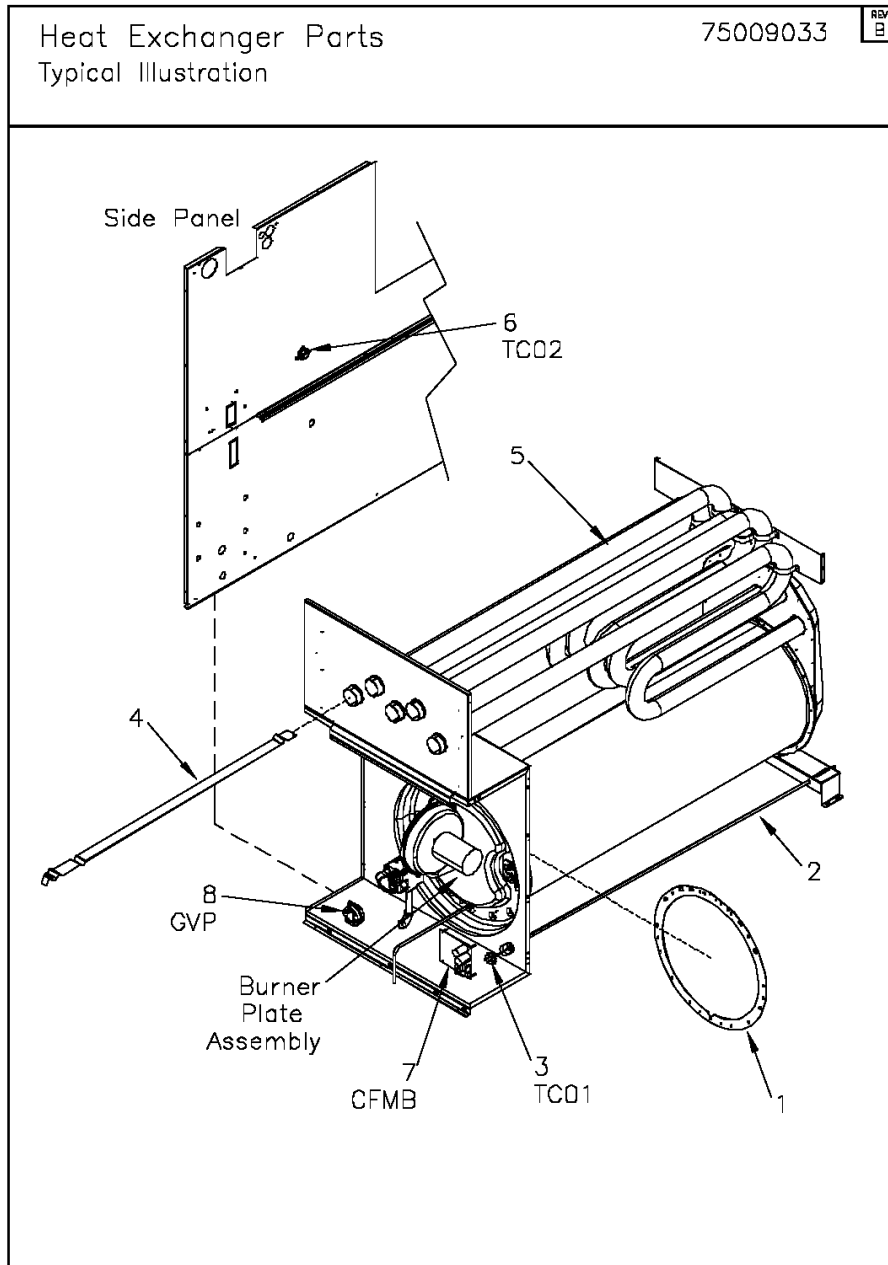
75011622

REV.
A



This is a typical illustration. The unit in the field may not appear exactly as shown.

Part No.	Reference No.	Quantity	Description
EXC02999	1	1	EXCHANGER; GAS HEAT ASSY, 150 MBH ALUMNIZED STEEL, FOR THRU THE BASE ELECTRICAL AND GAS OPTION
EXC02962	2	1	EXCHANGER; HEAT, STAINLESS STEEL 250 MBH
EXC02600	2A	1	EXCHANGER; GAS HEAT ASSEMBLY, 250 MBH
EXC02745	2B	1	EXCHANGER; GAS HEAT ASSEMBLY, 250MBH, INCLUDES COMBUSTION BLOWER, IGNITER CONTROL, GAS VALVE AND 160F TC01 LIMIT
EXC02591	3	1	EXCHANGER; GAS HEAT WELD ASSEMBLY; STAINLESS STEEL, 350 MBH MODULATING, THRU THE BASE ELECTRICAL
EXC03013	3A	1	EXCHANGER; GAS HEAT ASSEMBLY, VOY2, 350 MBH, STAINLESS STEEL, THRU THE BASE ELECTRICAL



Parts List Number :VOY1000#VOY2UP1

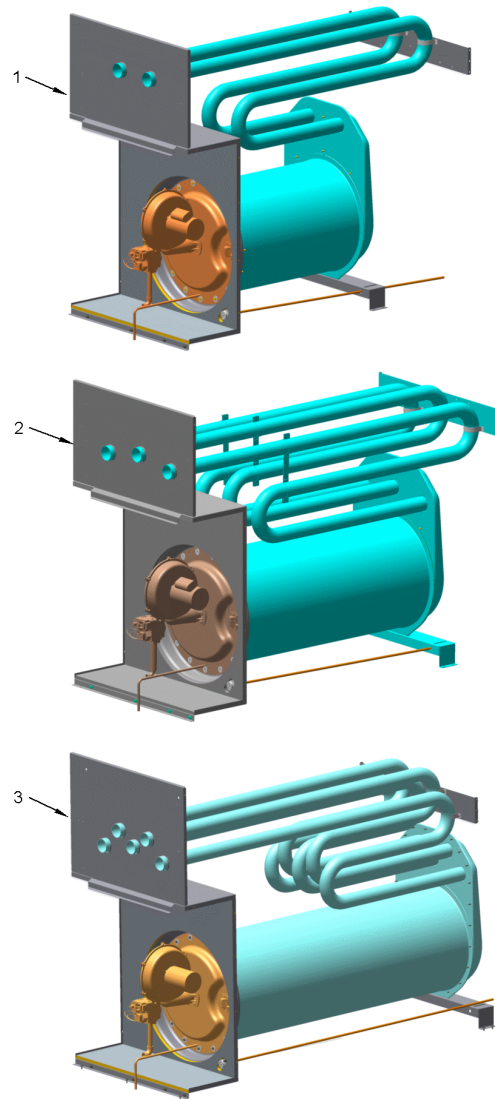
Model Number :YSD180F3RLA0000

Part No.	Reference No.	Quantity	Description
75011622#VOY2UP1~S	*		HEAT EXCHANGER REPLACEMENT

HEAT EXCHANGER REPLACEMENT

75011622

REV.
A



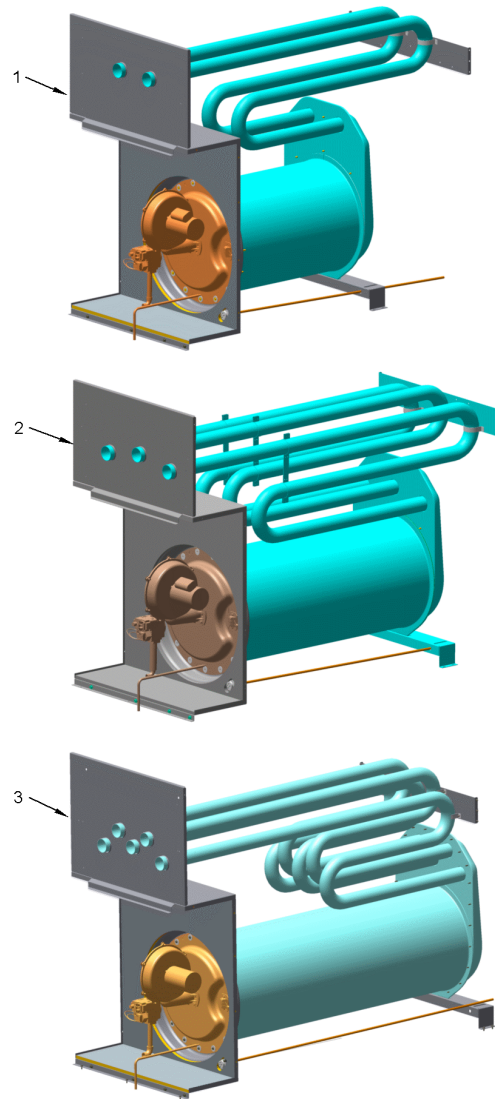
This is a typical illustration. The unit in the field may not appear exactly as shown.

Part No.	Reference No.	Quantity	Description
75011622_VOY2UP1_109281~P	*		HEAT EXCHANGER REPLACEMENT PARTS LIST

HEAT EXCHANGER REPLACEMENT

75011622

REV.
A

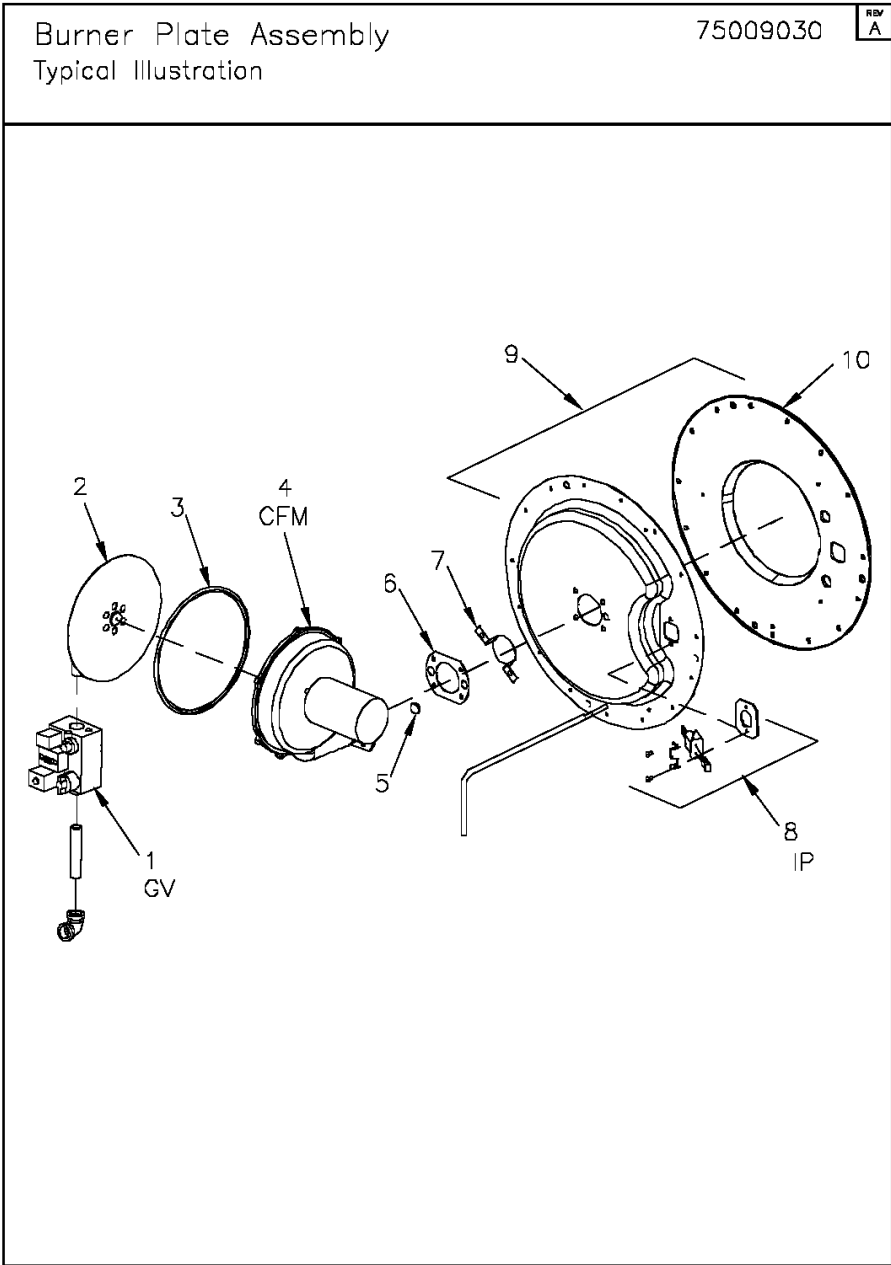


This is a typical illustration. The unit in the field may not appear exactly as shown.

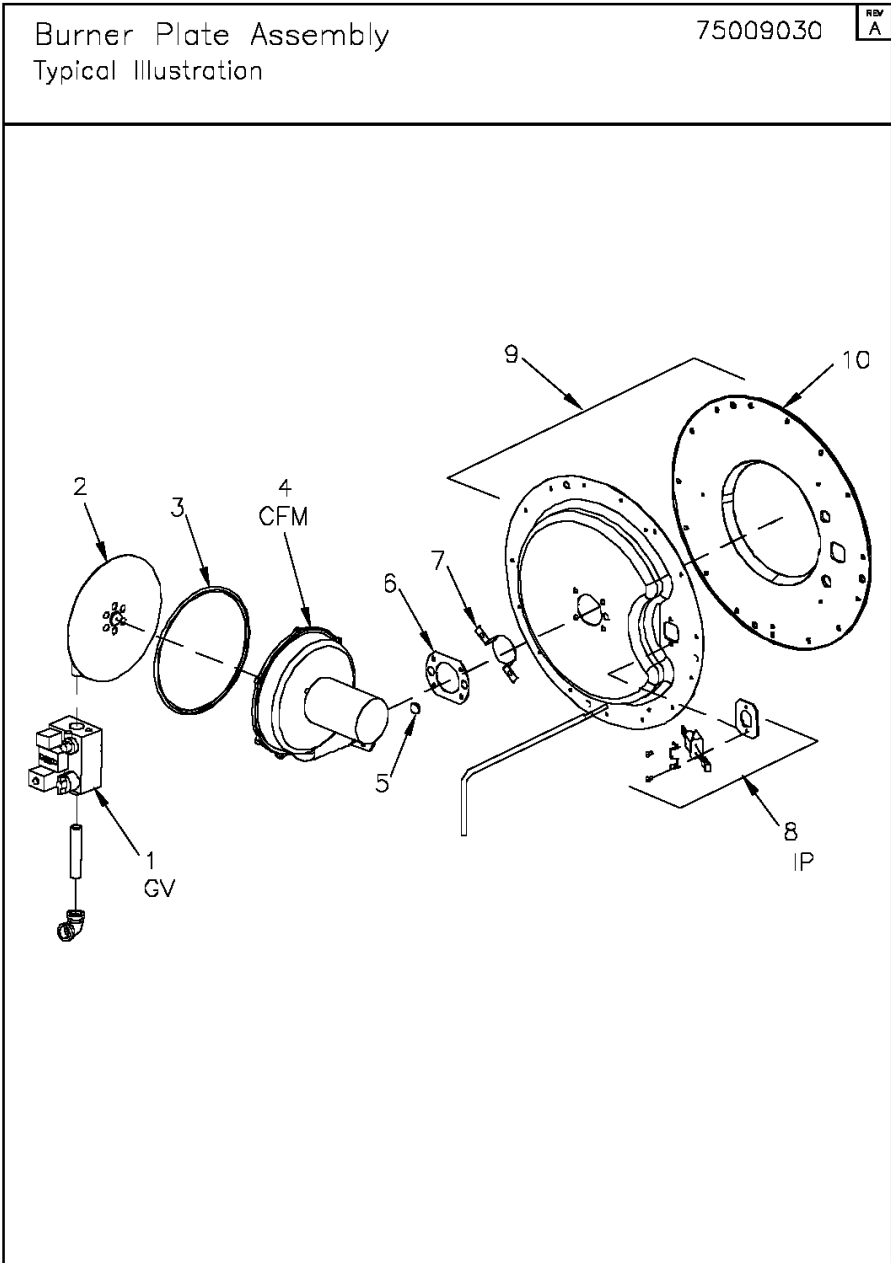
Parts List Number :VOY1000#VOY2UP1

Model Number :YSD180F3RLA0000

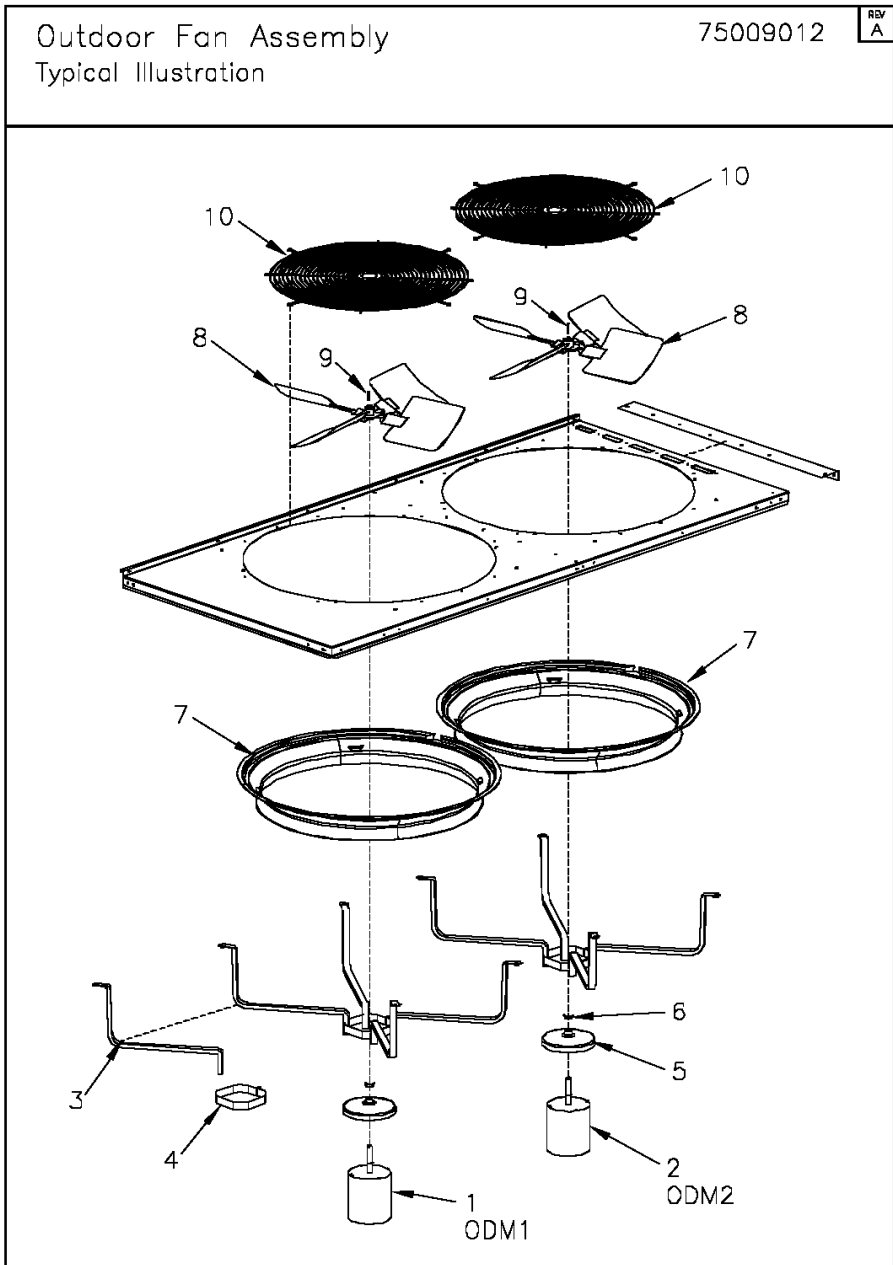
Part No.	Reference No.	Quantity	Description
EXC02999	1	1	EXCHANGER; GAS HEAT ASSY, 150 MBH ALUMNIZED STEEL, FOR THRU THE BASE ELECTRICAL AND GAS OPTION
EXC02962	2	1	EXCHANGER; HEAT, STAINLESS STEEL 250 MBH
EXC02600	2A	1	EXCHANGER; GAS HEAT ASSEMBLY, 250 MBH
EXC02745	2B	1	EXCHANGER; GAS HEAT ASSEMBLY, 250MBH, INCLUDES COMBUSTION BLOWER, IGNITER CONTROL, GAS VALVE AND 160F TC01 LIMIT
EXC02591	3	1	EXCHANGER; GAS HEAT WELD ASSEMBLY; STAINLESS STEEL, 350 MBH MODULATING, THRU THE BASE ELECTRICAL
EXC03013	3A	1	EXCHANGER; GAS HEAT ASSEMBLY, VOY2, 350 MBH, STAINLESS STEEL, THRU THE BASE ELECTRICAL



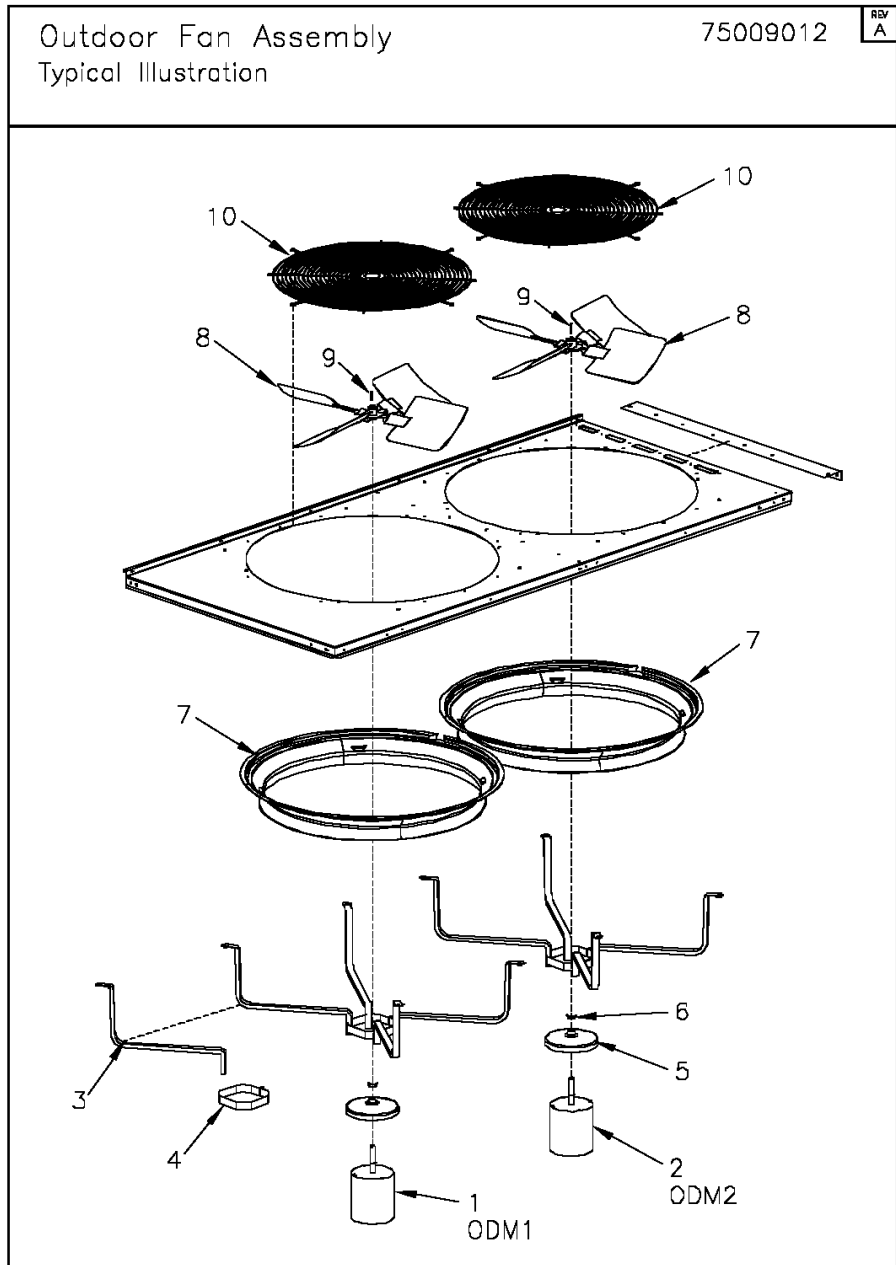
Part No.	Reference No.	Quantity	Description
75009030_VOY2UP1_100675~P	*		BURNER PLATE ASSEMBLY PARTS LIST



Part No.	Reference No.	Quantity	Description
CNT01221	1	1	CONTROL; VALVE, GAS, .75 NPTI, 24 VAC, NEGATIVE PRESSURE OPERATION
ORF01029	2	1	ORIFICE; #P-.323 DIAMETER
GKT03053	3	1	GASKET; EDGE TRIM, .062 X 9.0 DIAMETER
FAN02160	4	1	FAN; BLOWER, COMBUSTION, W/MOTOR, 1/10 HP, 208-230/60/1
GLS00144	5	1	GLASS; SIGHT, .75 OD X .12 THK
GKT04206	6	1	GASKET; SPECIALTY; .125 THK X 4.16 DIA, SILICONE SPONGE (RED), MAX TEMP 450 DEG F W/HOLES PRESSURE SENSITIVE BACKING
BAF00304	7	1	BAFFLE;COMBUSTION BLOWER
KIT03033	8	1	KIT; IGNITOR
PLT04092	9	1	PLATE; BURNER CAP ASSEMBLY, 17"DRUM, 250 MBH
INS01720	10	1	INSULATION; BURNER HEAT SHIELD BARRIER, 7.56" ID X 19.2" OD



Part No.	Reference No.	Quantity	Description
75009012_VOY2UP1_106548~P	*		OUTDOOR FAN ASSEMBLY PARTS LIST

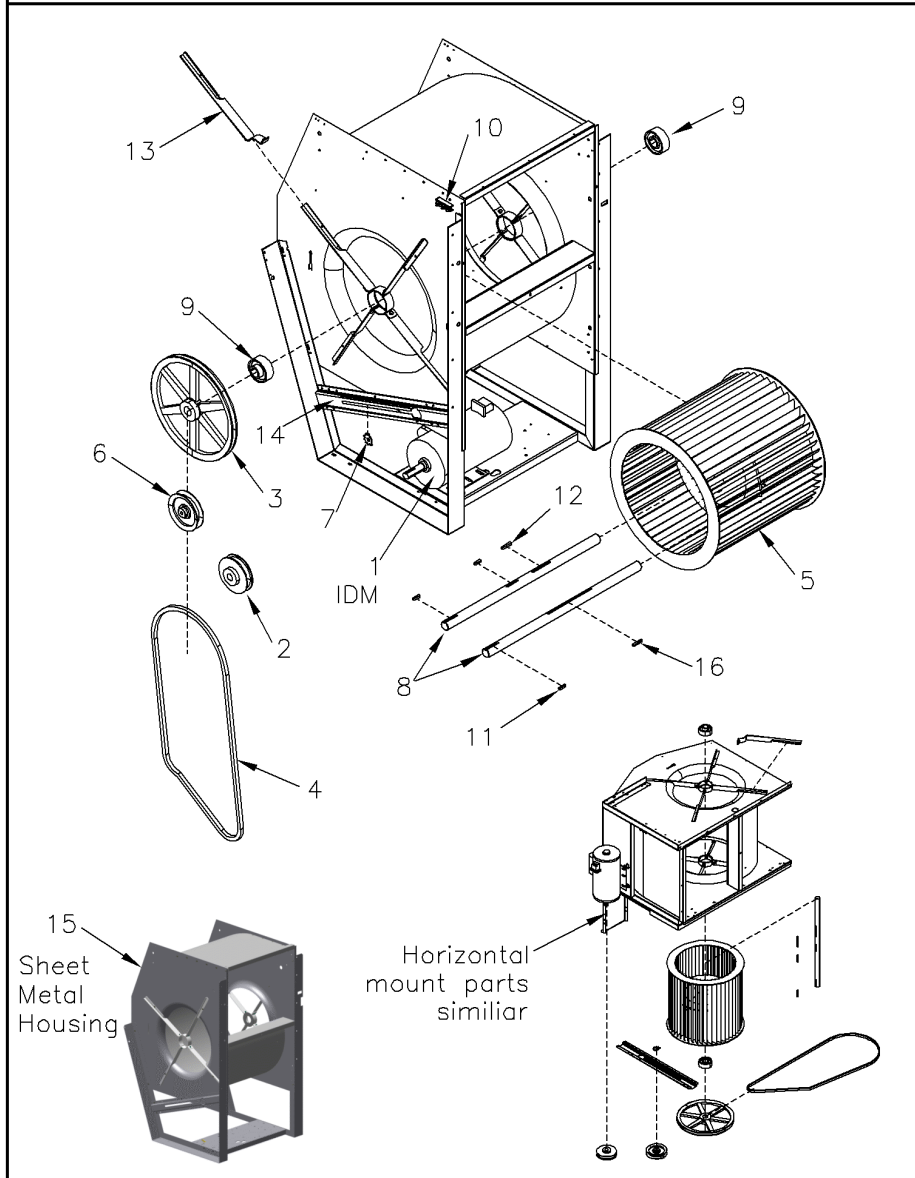


Part No.	Reference No.	Quantity	Description
MOT03768	1	1	MOTOR; 1/2 HP, 208/230/60/1, 1100 RPM, TYPE PSC, 48 FRAME, CCW, BALL BEARING, 10 MFD CPT AT 440V
MOT03774	2	1	MOTOR; 1/2 HP, 1100 RPM, 208-230/60/1, CCW, TEAOM, 48 FRAME, BALL BEARING,10 MFD AT 440V
BRK01632	3	8	BRACKET;MOTOR MOUNT, 13.77 LEG
BRK01160	4	2	BRACKET, MOTOR MOUNT
ORF00575	7	2	ORIFICE;O.D. FAN
FAN01531	8	2	FAN;3 BLADE,ALUM,26 DIA, 22-25 DEG,.50 BORE,CW
GRD00450	10	2	GUARD; FAN, 27.5 DIA

Indoor Fan Assembly
Downflow detail shown

75009952

REV
D

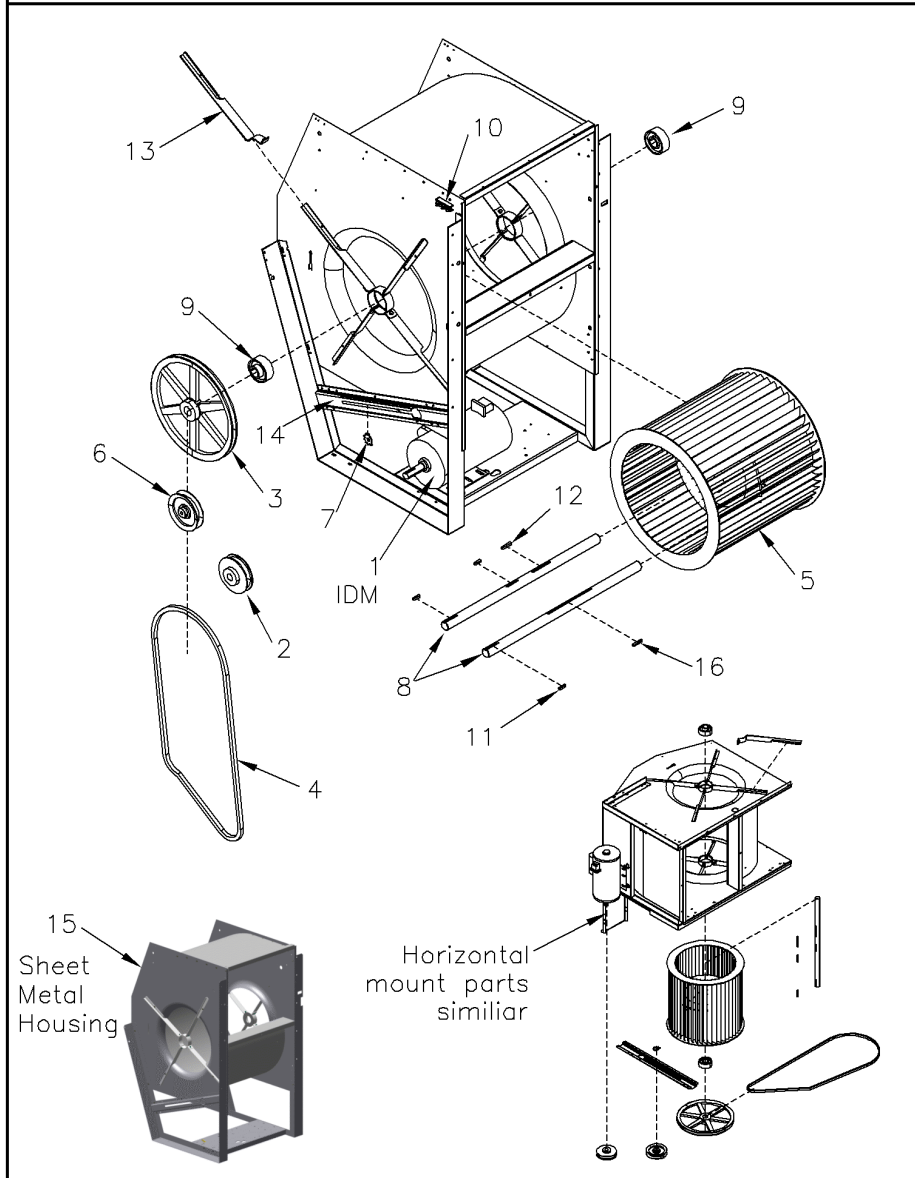


Part No.	Reference No.	Quantity	Description
75009952_VOY2UP1_117618~P	*		INDOOR FAN ASSEMBLY PARTS LIST

Indoor Fan Assembly
Downflow detail shown

75009952

REV
D

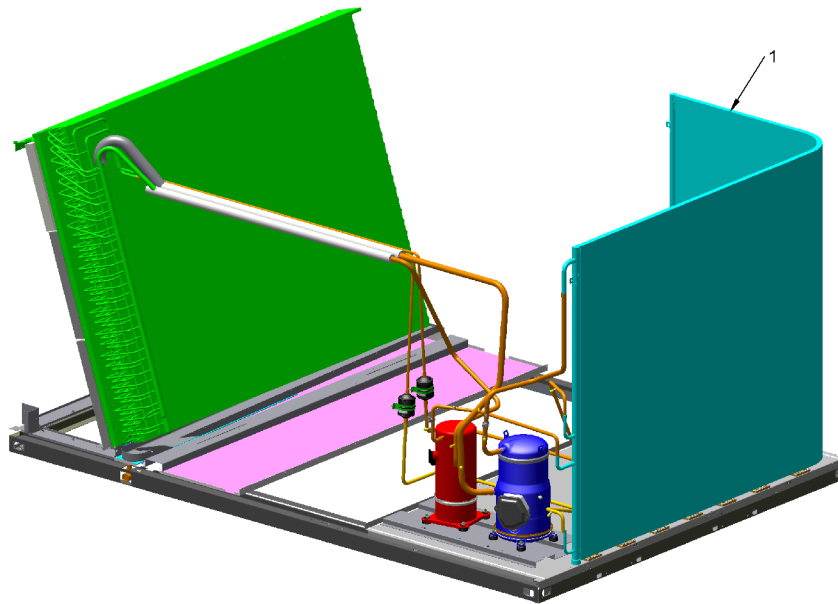


Part No.	Reference No.	Quantity	Description
MOT09801	1	1	MOTOR; 3.0/2.0 HP, 208-230/460/60/3, 200/400/50/3, 1740/1450 RPM, 56 HZ FRAME, RIG BASE, ODP, BALL BEARING, REV ROTATION
SHE00046	2	1	SHEAVE; 1VL40, 7/8 IN. BORE
SHE00017	3	1	SHEAVE; BK90, 1 3/16 BORE
B00193	4	1	BELT;V (BX), BX64, 67.0 OUTSIDE LG. X 65.8 PITCH LG.
WHL00626	5	1	WHEEL; FAN, STEEL, 18 DIA X 18 LG, 1.188 BORE, BELT
SHE01565	6	1	SHEAVE; STEEL IDLER, V-BELT, 3/8
GER00321	7	1	GEAR; IDLER
SHF01505	8	1	SHAFT; FAN, 1 3/16 DIA X 25.968 LG
BRG00870	9	2	BEARING, 1.19 BORE, 3.09 OD X 1.19 WIDE
BLK00288	10	1	BLOCK; TERMINAL, 3 POLE, 20 AMP, 300V
KEY00300	11	1	KEY; 1/4 IN X 1/4 IN X 1-1/2 IN
KEY00299	12	2	KEY; 1/4 IN X 1/4 IN X 1 IN
BRK01162	13	8	BRACKET; BEARING ARM
SUP04426	14	1	SUPPORT; IDLER

OUTDOOR CONDENSER COIL

75009910

REV
C



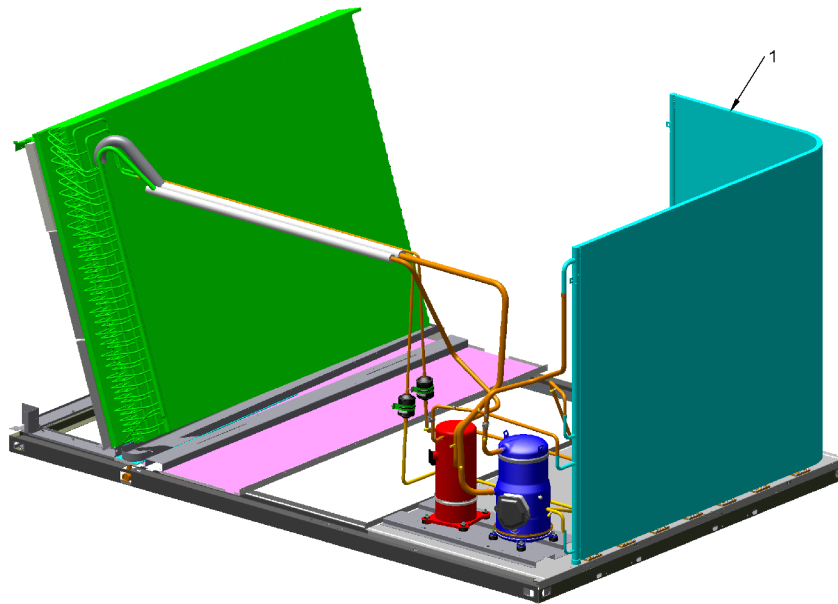
This is a typical illustration. The unit in the field may not appear exactly as shown.

Part No.	Reference No.	Quantity	Description
75009910_VOY2UP1_103270~P	*		OUTDOOR CONDENSOR COIL PARTS LIST

OUTDOOR CONDENSER COIL

75009910

REV
C



This is a typical illustration. The unit in the field may not appear exactly as shown.

OUTDOOR CONDENSOR COIL PARTS LIST

Parts List Number :VOY1000#VOY2UP1

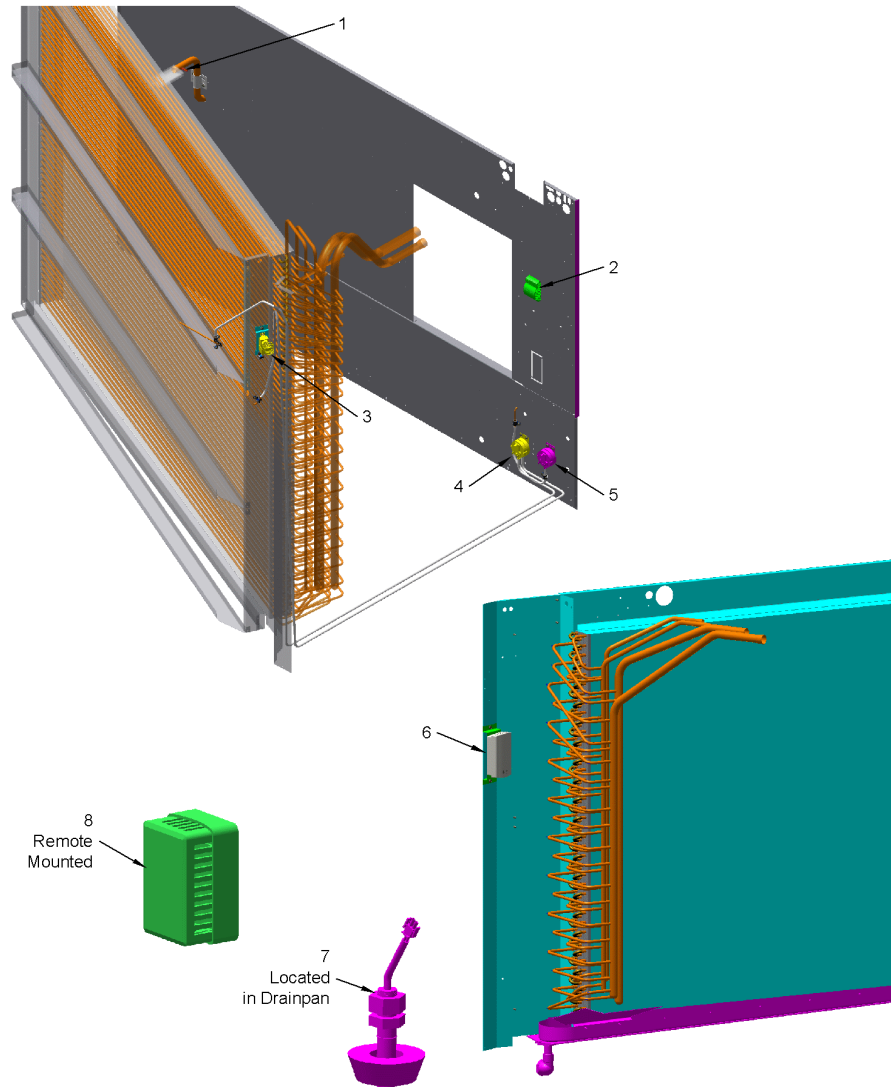
Model Number :YSD180F3RLA0000

Part No.	Reference No.	Quantity	Description
COL18115	1	1	COIL; OUTDOOR, MCH E BENT

UNIT SENSORS

75009958

REV
B



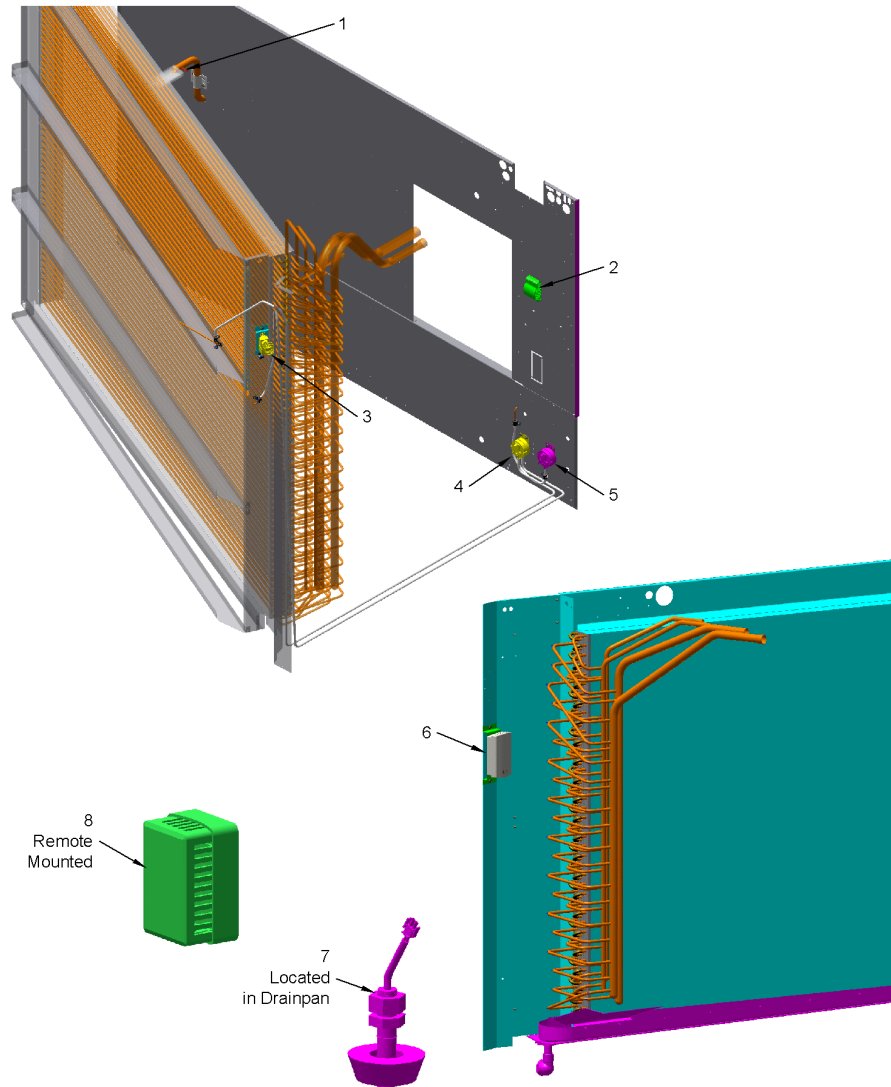
This is a typical illustration. The unit in the field may not appear exactly as shown.

Part No.	Reference No.	Quantity	Description
75009958_VOY2UP1_101418~P	*		UNIT SENSING PARTS LIST

UNIT SENSORS

75009958

REV
B



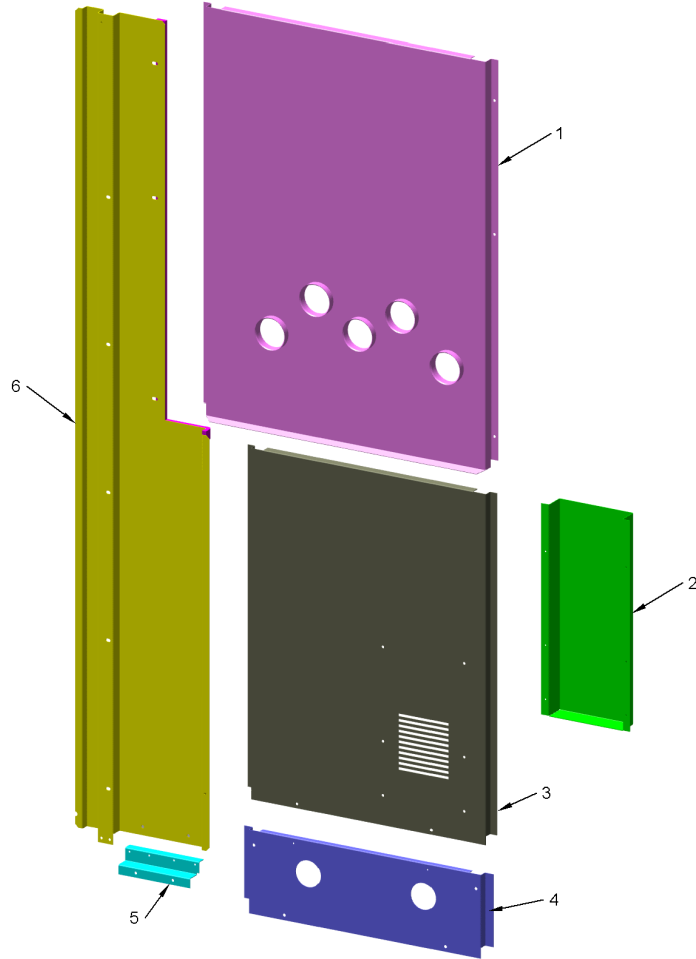
This is a typical illustration. The unit in the field may not appear exactly as shown.

Part No.	Reference No.	Quantity	Description
CNT06848	3	1	CONTROL; DEFROST W / CAPILLARY, 50"

GAS HEAT PANELS

75012751

REV.
A



This is a typical illustration. The unit in the field may not appear exactly as shown.

GAS HEAT PANELS

Parts List Number :VOY1000#VOY2UP1

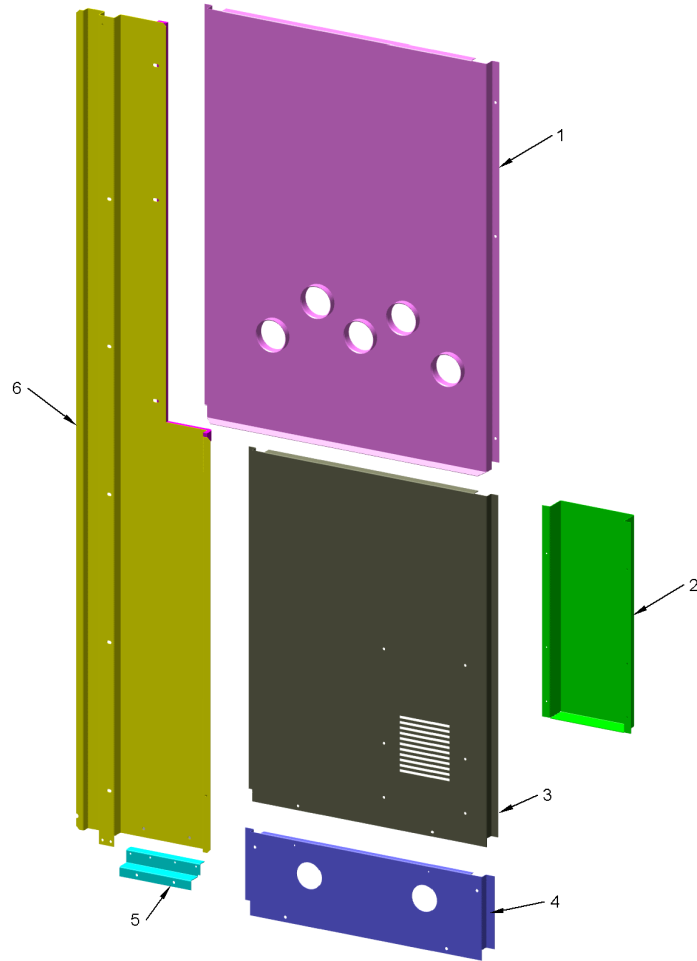
Model Number :YSD180F3RLA0000

Part No.	Reference No.	Quantity	Description
75012751_VOY2UP1_122442~P	*		GAS HEAT PANELS PARTS LIST

GAS HEAT PANELS

75012751

REV.
A



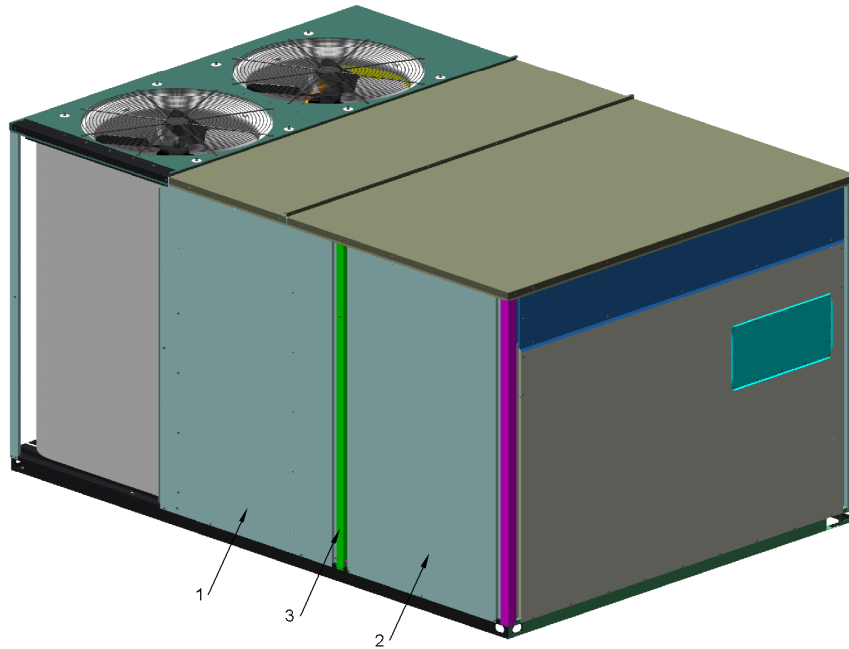
This is a typical illustration. The unit in the field may not appear exactly as shown.

Part No.	Reference No.	Quantity	Description
GRD01226	1	5	GUARD; WIRE CLOTH, 2.92 X 5.00
PNN05748	1	1	PANEL; EXHAUST ASSEMBLY
COV02222	2	1	COVER; COMBUSTION AIR INTAKE
PNN08157	3	1	PANEL, ACCESS HEAT SECTION ASSEMBLY
BRK01905	5	1	BRACKET; SUPPORT LEFT HAT SECTION ASSEMBLY

AIR FLOW PANELS

75012744

REV.
A



This is a typical illustration. The unit in the field may not appear exactly as shown.

Parts List Number :VOY1000#VOY2UP1

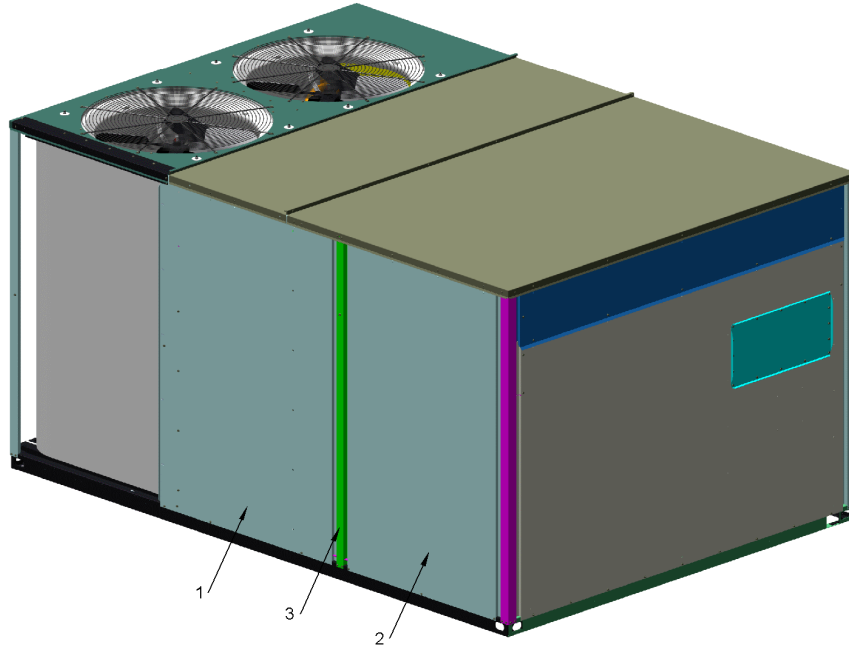
Model Number :YSD180F3RLA0000

Part No.	Reference No.	Quantity	Description
75012744_VOY2UP1_101562~P	*		AIR FLOW PANELS PARTS LIST

AIR FLOW PANELS

75012744

REV.
A



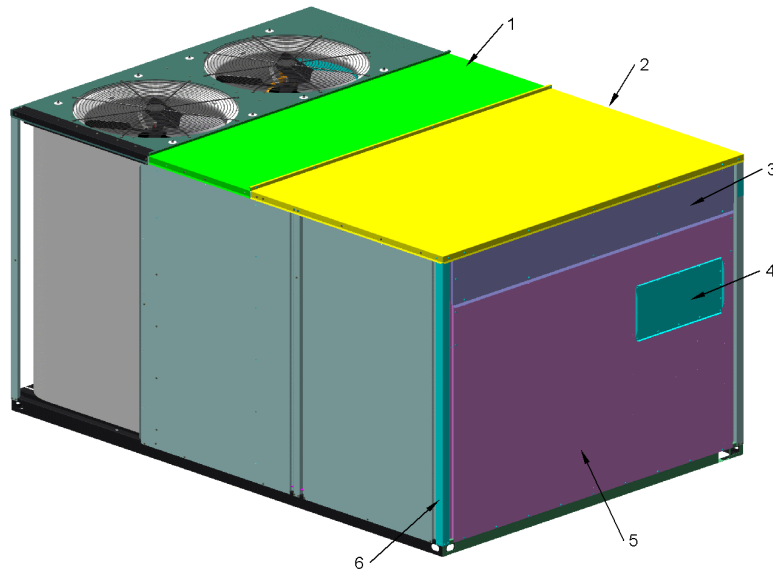
This is a typical illustration. The unit in the field may not appear exactly as shown.

Part No.	Reference No.	Quantity	Description
PNL29933	1	1	PANEL; REAR DF ASSY
PNN01154	2	1	PANEL; REAR, ASSEMBLY
SUP01489	3	1	SUPPORT;RIGHT HAT SECTION

COMM PANELS
DOWNFLOW

75012749

REV.
A



This is a typical illustration. The unit in the field may not appear exactly as shown.

COMM PANELS

Parts List Number :VOY1000#VOY2UP1

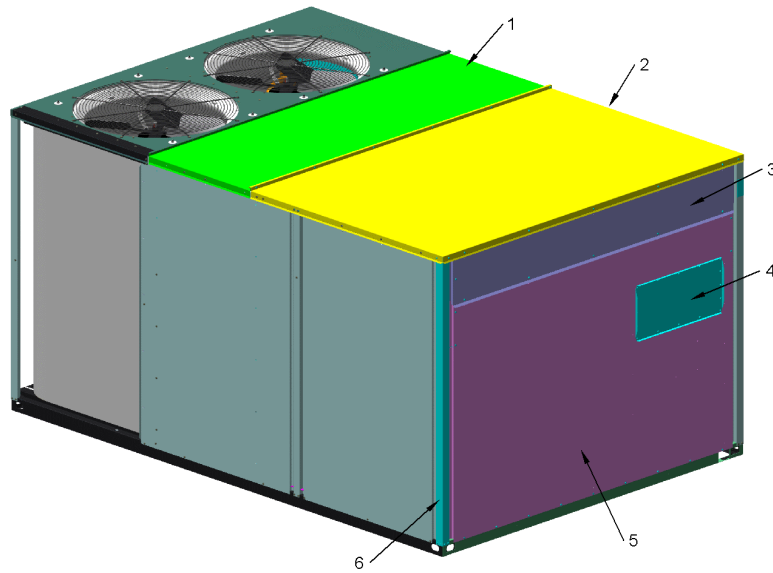
Model Number :YSD180F3RLA0000

Part No.	Reference No.	Quantity	Description
75012749_VOY2UP1_101566~P	*		COMM PANELS PARTS LIST

COMM PANELS
DOWNFLOW

75012749

REV.
A



This is a typical illustration. The unit in the field may not appear exactly as shown.

Part No.	Reference No.	Quantity	Description
COV01384	1	1	COVER, TOP HEAT SECTION ASSEMBLY
COV01383	2	1	COVER, ID SECTION TOP ASSEMBLY
COV01353	4	1	COVER, MANUAL FRESH AIR, 24.42 X 11.71
PNN01155	5	1	PANEL; ECONOMIZER, END ASSEMBLY
SUP01488	6	1	SUPPORT;CORNER POST REAR ASSEMBLY

VOYAGER
OPTIONAL FIELD INSTALLED ACCESSORIES

75012144

REV.
A

ACCESSORY TYPE

ECON = Economizer	ISLT = Isolator
ASCT = Anti-Cycle Timer	KSKT = Start Accessory Kit
BARM = Barometric Relief	LEGS = Snow Legs
BASE = Base	LIFT = Roof Mount Kit
BURN = Burner	LOAM = Low Ambient
CTHI = Board-Convention Interface	LPKT = L.P. Kit
CURB = Roofcurb	MOTR = Low Ambient Motor Kit
CCHT = Crankcase Heater	NXKT = No Oxide Kit
DFSR = Air Diffuser	PLNM = Plenum
DMPR = SS Damper	PLUS = Plus One Kit
DNKT = Downflow Kit	PSMN = Power Supply Monitor Kit
FCCV = Flow Control Check Valve	PWRX = Power Exhaust
FLSW = Flow Switch	QACB = Quick Adapt Curb
FLTR = Filter	RLAY = Relay
FRST = High Temperature Sensor	SENS = Sensor
GARD = Coil Guard	SPEK = Single Source Power Entry
HALT = High Altitude Kit	STAT = Thermostat
HSDR = Optimized Sheave Accessory	STMT = Elapsed Time Meter
HSMT = Oversized Motor Kit or High Static Motor	TBKT = Thru Base Utility Kit
HTR = Electric Heater (Digit 7 is used to differentiate the products accessory is used with)	TEST = Test Accessory
ICSI = Board Communication Interface	TIME = ICS Interface Kit
	TXVA = Thermal Expansion Valve Kit
	TXVH = Thermal Expansion Valve Kit
	VDPR = Vent Damper
	WATR = Hot Water or Steam Coil
	2STG = 2 Stage Gas

**When identifying accessories please
refer to WAVE94591.**

Parts List Number :VOY1000#VOY2UP1

Model Number :YSD180F3RLA0000

Part No.	Reference No.	Quantity	Description
75012144_VOY2UP1_100562~P	*		OPTIONAL FIELD INSTALLED ACCESSORIES PARTS LIST

75012144

REV
B

OPTIONAL FIELD INSTALLED ACCESSORIES

ACCESSORY TYPE

ECON = Economizer	ISLT = Isolator
ASCT = Anti-Cycle Timer	KSKT = Start Accessory Kit
BARM = Barometric Relief	LEGS = Snow Legs
BASE = Base	LIFT = Roof Mount Kit
BURN = Burner	LOAM = Low Ambient
CTHI = Board-Convention Interface	LPKT = L.P. Kit
CURB = Roofcurb	MOTR = Low Ambient Motor Kit
CCHT = Crankcase Heater	NXKT = No Oxide Kit
DFSR = Air Diffuser	PLNM = Plenum
DMPR = SS Damper	PLUS = Plus One Kit
DNKT = Downflow Kit	PSMN = Power Supply Monitor Kit
FCCV = Flow Control Check Valve	PWRX = Power Exhaust
FLSW = Flow Switch	QACB = Quick Adapt Curb
FLTR = Filter	RLAY = Relay
FRST = High Temperature Sensor	SENS = Sensor
GARD = Coil Guard	SPEK = Single Source Power Entry
HALT = High Altitude Kit	STAT = Thermostat
HSDR = Optimized Sheave Accessory	STMT = Elapsed Time Meter
HSMT = Oversized Motor Kit or High Static Motor	TBKT = Thru Base Utility Kit
HTR = Electric Heater (Digit 7 is used to differentiate the products accessory is used with)	TEST = Test Accessory
ICSI = Board Communication Interface	TIME = ICS Interface Kit
	TXVA = Thermal Expansion Valve Kit
	TXVH = Thermal Expansion Valve Kit
	VDPR = Vent Damper
	WATR = Hot Water or Steam Coil
	2STG = 2 Stage Gas

When identifying accessories please refer to WAVE94591 to select product catalog and identify the accessory.

Parts List Number :VOY1000#VOY2UP1

Model Number :YSD180F3RLA0000