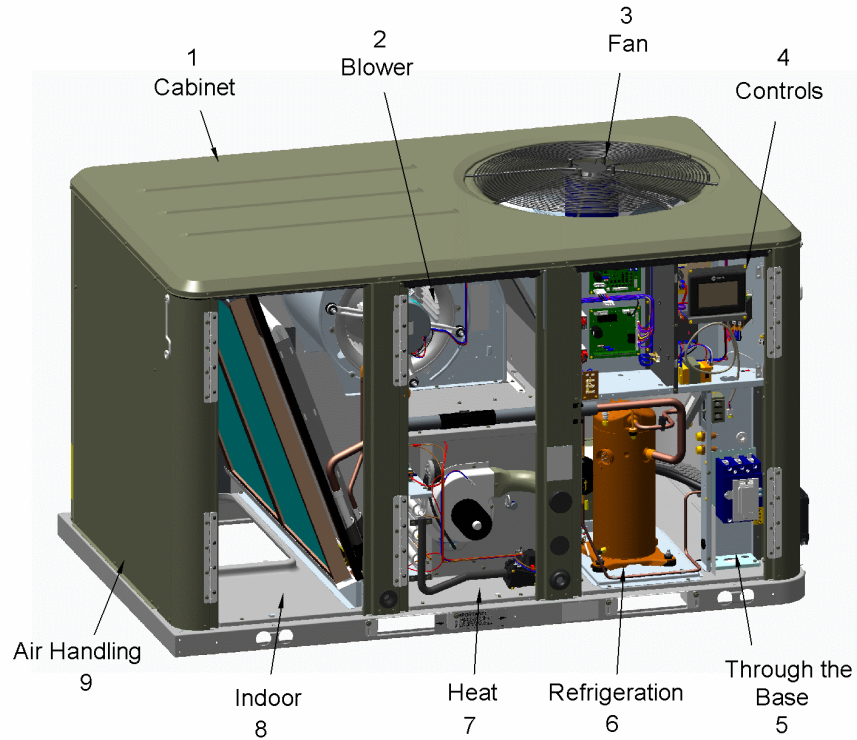


PACKAGED GAS/ELECTRIC

75011205

REV.  
A

The sections that appear on this illustration are for all options.  
Sections and options will appear in the Parts List if ordered with the unit.



This is a typical illustration. The unit in the field may not appear exactly as shown.

Parts List Number :YSCUP9

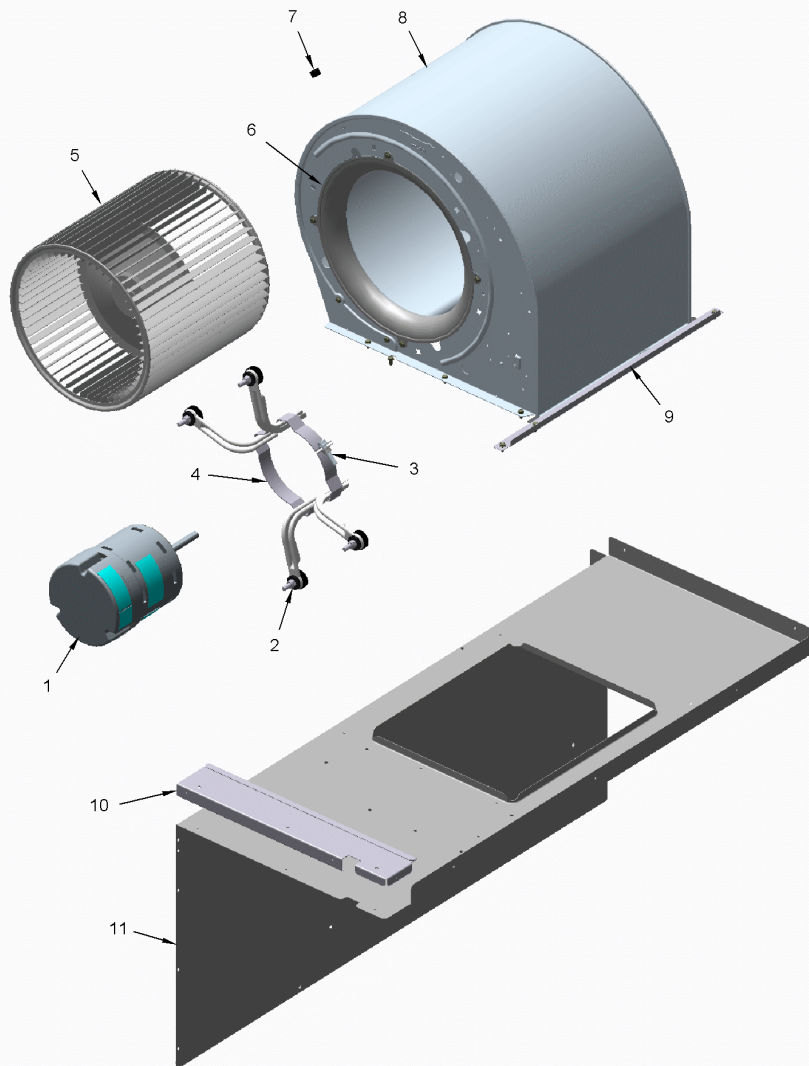
Model Number :YSC060GWRHA0000

| <b>Part No.</b> | <b>Reference No.</b> | <b>Quantity</b> | <b>Description</b>   |
|-----------------|----------------------|-----------------|--|
| 75011208        | 2                    |                 | BLOWER   |
| 75011210        | 3                    |                 | FAN  |
| 75011207        | 4                    |                 | CONTROL PANEL  |
| 75010594        | 5                    |                 | THROUGH THE BASE COMPONENTS                                  |
| 75010620        | 6                    |                 | OUTDOOR AIR SENSOR   |
| 75011206        | 6                    |                 | REFRIGERATION - COMPRESSOR, INDOOR/OUTDOOR COILS,<br>FILTERS |
| 75010605        | 7                    |                 | BURNERS, GAS VALVE, INDUCER, FD, FR, IP, TCO1                |
| 75011224        | 7                    |                 | HEAT EXCHANGER   |
| OPTIONS         | 10                   |                 | OPTIONAL FIELD INSTALLED ACCESSORIES                         |
| 75011255        | 11                   |                 | MODEL NUMBER DESCRIPTION DIGITS 1-17                         |
| 75011256        | 11                   |                 | MODEL NUMBER DESCRIPTION DIGITS 18-31                        |
| 75011257        | 11                   |                 | MODEL NUMBER NOTES   |

BLOWER

75011208

REV.  
A



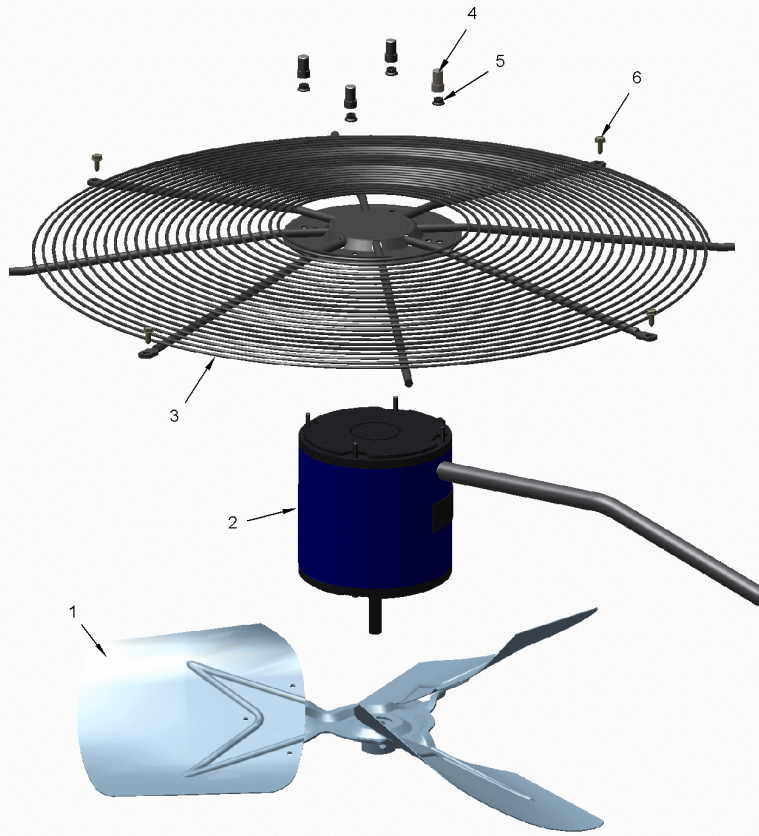
This is a typical illustration. The unit in the field may not appear exactly as shown.

| Part No. | Reference No. | Quantity | Description  |
|----------|---------------|----------|--|
| CNT03511 | *             | 1        | CONTROL; LIMIT, 120F, AUTOMATIC RESET, SPST, NC, 15A/120VAC, 10A/240VAC, QC TERMINAL                       |
| SCR01623 | *             | 17       | SCREW; SHEET METAL, 10-16 UNC X 1/2, HIGH TORQUE, INDENT HEX-WASHER HEAD                                   |
| MOT17196 | 1             | 1        | MOTOR; CONTANT TORQUE, 1 HP, 208-230/50-60/1, CW, 48 FRAME, BALL BEARING                                   |
| BRK03657 | 2             | 4        | BRACKET; MOTOR ARM, INCLUDES GROMMET. (CONTAINS A QTY OF 4 BRACKETS)                                       |
| NUT00355 | 2             | 4        | NUT; HEX, LOCK, 5/16IN.-18   |
| NUT00446 | 3             | 1        | NUT; 0.31-18, HEX FLANGE-LOCK  |
| BRK03232 | 4             | 1        | BRACKET; MOTOR MOUNTING, 17.6 LENGTH (4 LEG)   |
| WHL02168 | 5             | 1        | WHEEL; FAN, 11.87 DIA X 11.93 W, .50 BORE, CCW, CONCAVE. INCLUDES 5/16-18 X 1/2 INCH SQH CUP PT SET SCREW. |
| ORF01304 | 6             | 1        | ORIFICE; INLET RING, 10.38 ID  |
| BUS00485 | 7             | 1        | BUSHING; .62 MTG W/MAX .44 ID  |
| HUS03676 | 8             | 1        | HOUSING; BLOWER, 11 X 11   |
| BRK04715 | 9             | 1        | BRACKET; INDOOR FAN, 22.00L X 0.90W X 0.50H  |
| BRK04716 | 10            | 1        | BRACKET; FAN ACCESS PANEL, 17.13L X 3.16W X 1.0H   |
| PNL33591 | 11            | 1        | PANEL; HEAT WRAPPER, 42.23L X 19.00W X 19.25H, 14.63 X 12.18 OPENING                                       |

FAN

75011210

REV.  
A



This is a typical illustration. The unit in the field may not appear exactly as shown.

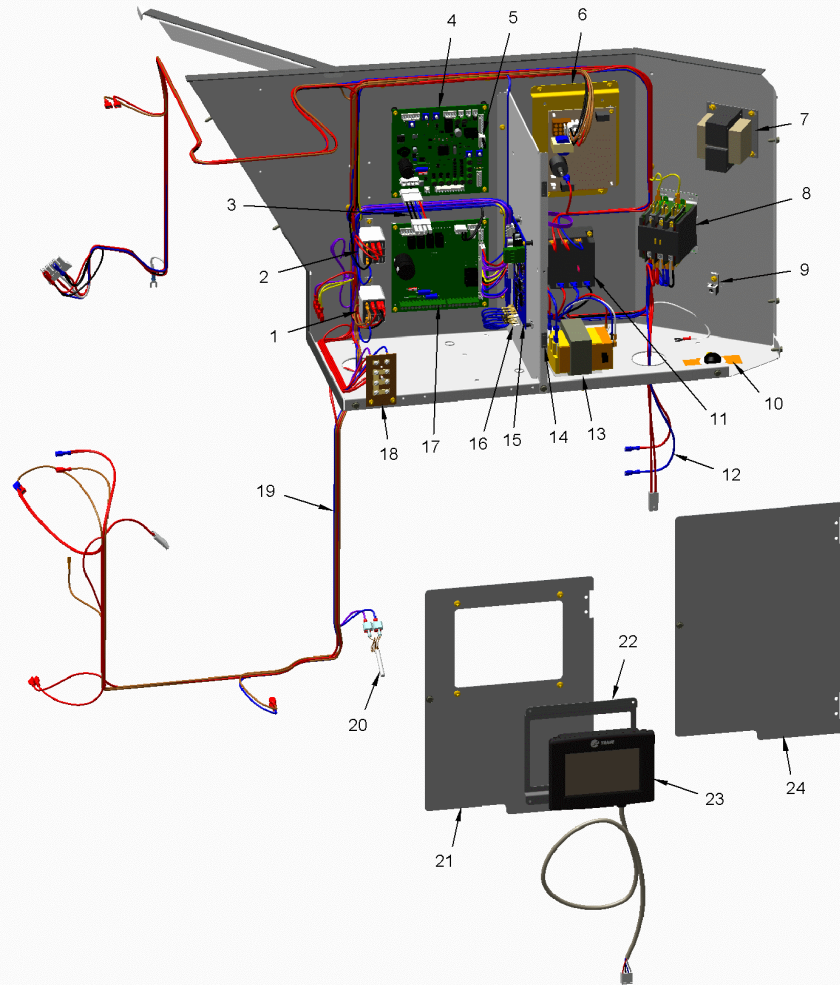
| <b>Part No.</b> | <b>Reference No.</b> | <b>Quantity</b> | <b>Description</b>   |
|-----------------|----------------------|-----------------|--|
| FAN05568        | 1                    | 1               | PROPELLER; OD FAN - 22 INCH 3 BLADES                                     |
| MOT17292        | 2                    | 1               | MOTOR; 3 PHASE 0.4 HP 575  |
| GRL01332        | 3                    | 1               | GRILLE; FAN, 26.65 MTG HOLE DIAMETER                                     |
| IRT00017        | 4                    | 4               | INSERT; BUMPER-STOP, 0.468 OD X 0.81 LG, BLACK RUBBER                    |
| NUT00845        | 5                    | 4               | NUT; FLANGE NIBBED   |
| SCR01623        | 6                    | 4               | SCREW; SHEET METAL, 10-16 UNC X 1/2, HIGH TORQUE, INDENT HEX-WASHER HEAD |

CONTROL PANEL

75011207

REV.  
A

The parts that appear on this illustration are for all options.  
Parts will appear in the Parts List if ordered with the unit.



This is a typical illustration. The unit in the field may not appear exactly as shown.

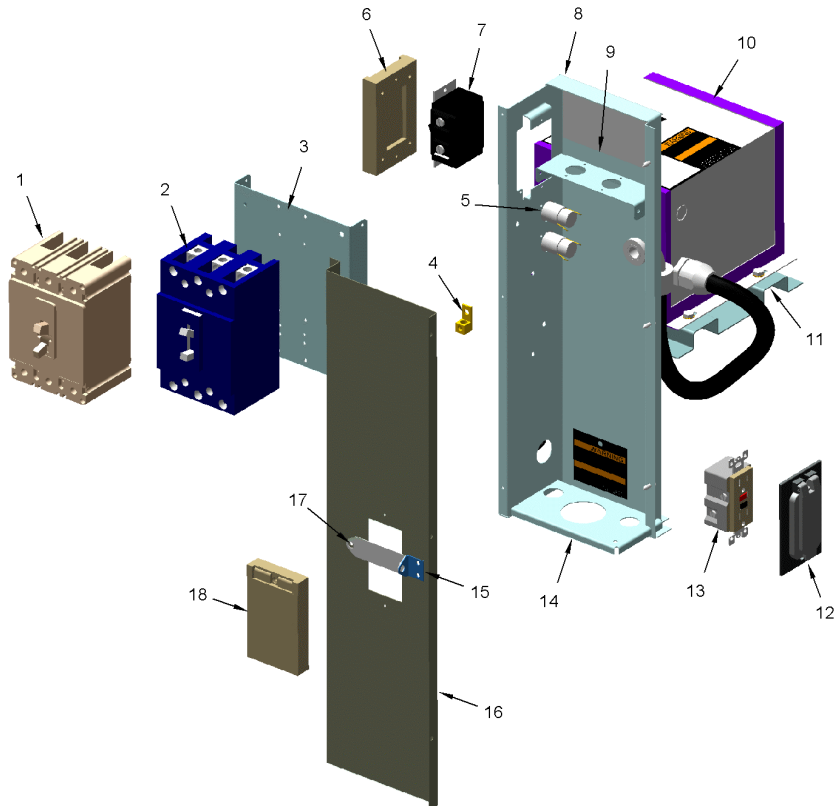
| Part No. | Reference No. | Quantity | Description  |
|----------|---------------|----------|--|
| WIR03230 | *             | 1        | WIRE; HARNESS, CRANKCASE HEATER, W/CTL   |
| WIR06771 | *             | 1        | WIRE; OVERFLOW PROTECTION SWITCH HARNESS, 32 INCH, OR-YL WIRES, INCLUDES CON00322, CON01303 & CON01305 |
| WIR08181 | *             | 1        | WIRE; HARNESS, OPTIONS - COMM-J2 TO RTOM-J1, RTEM TO MAS, RTEM TO RTOM-J2                              |
| RLY03065 | 1             | 1        | RELAY; DPDT, 5 AMPS AT 120/277 VAC, 24 VAC COIL, 750 RMS, COIL CLASS F                                 |
| RLY03065 | 2             | 1        | RELAY; DPDT, 5 AMPS AT 120/277 VAC, 24 VAC COIL, 750 RMS, COIL CLASS F                                 |
| BRK04176 | 6             | 1        | BRACKET; IGNITION MODULE, 6.56 X 5.00 X 0.38   |
| MOD01299 | 6             | 1        | MODULE; RELIATEL GAS SINGLE STAGE W/CHASSIS GROUND   |
| TRR01998 | 7             | 1        | TRANSFORMER; AUTO, 480/600V PRI, 240V SEC, 150VA   |
| CTR01826 | 8             | 1        | CONTACTOR; 3 POLE, 30 FLA, 24 VAC COIL, WITH LUGS  |
| CON00077 | 9             | 1        | CONNECTOR, ELECTRIC GROUND, 14-2 AWG SOLDERLESS  |
| CNT01405 | 10            | 1        | CONTROL; TEMP, OPEN 65F, CLOSE 55F, SPST   |
| CNT05176 | 11            | 1        | CONTROL; MONITOR, 3-PHASE LINE, UNIVERSAL 180-632 VAC, PHASE AND LOSS REVERSAL                         |
| WIR08187 | 12            | 1        | WIRE; HARNESS, POWER, CONTROLS TO IDM  |
| TRR00826 | 13            | 1        | TRANSFORMER; 75 VA, 460-575V PRI, 24V SEC  |
| CAT00043 | 14            | 2        | CATCH; MAGNETIC SNAP-IN  |
| TER01680 | 16            | 1        | TERMINAL STRIP; .25IN. FASTON  |
| MOD02668 | 17            | 1        | MODULE; RELIATEL REFRIG DUAL CIRCUIT COOL/HP   |
| BLK00940 | 18            | 1        | BLOCK; 6 TERMINALS (LVTB)  |
| WIR08176 | 19            | 1        | WIRE; HARNESS, CONTROLS - GAS HEAT, 3-5 TON, RT CNTL, X13 IDM  |
| SEN01635 | 20            | 1        | SENSOR; THERMISTOR, -40 TO 65C, .25 DIA X 1.75 LENGTH, 72 IN LEADS, LEADS STRIPPED                     |

CONTROLS  
THROUGH THE BASE  
TYPICAL ILLUSTRATION

75010594

REV.  
A

The parts that appear on this illustration are for all options.  
Parts will appear in the Parts List if ordered with the unit.



Parts List Number :YSCUP9

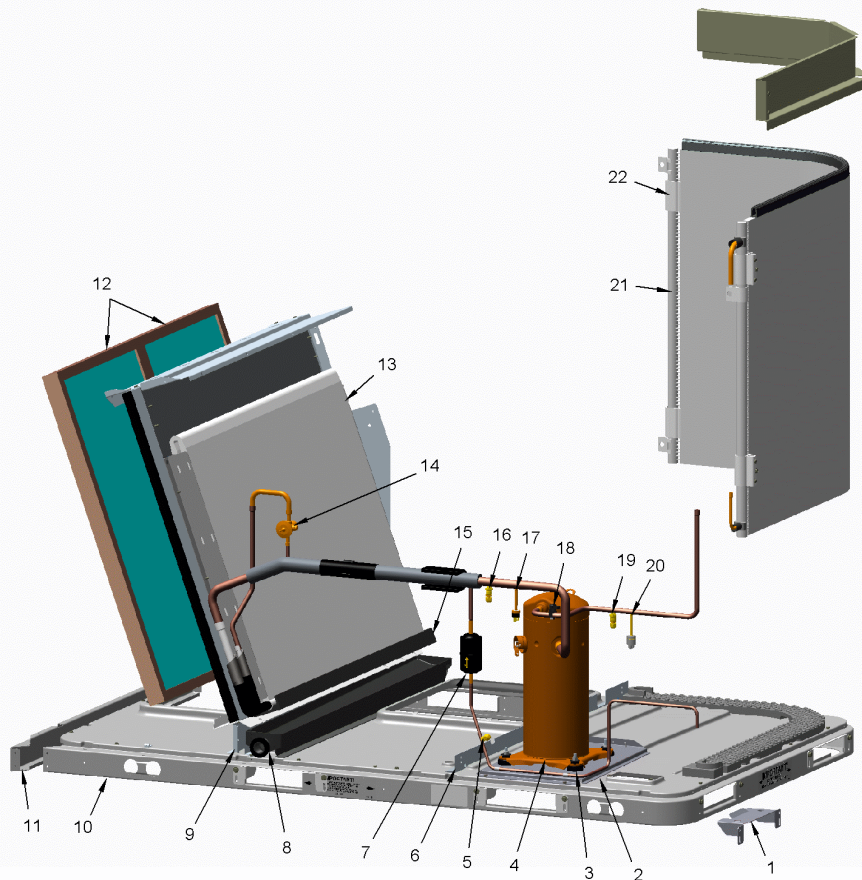
Model Number :YSC060GWRHA0000

| Part No. | Reference No. | Quantity | Description   |
|----------|---------------|----------|---|
| BUS00465 | *             | 1        | BUSHING; SNAP, BLACK UNIVERSAL, 1.093 MOUNTING HOLE   |
| CON00490 | *             | 1        | CONNECTOR; 0.50 NOM STR   |
| WIR06538 | *             | 1        | WIRE; HARNESS - INDOOR MOTOR TRANSFORMER (TNS3), 53 IN LENGTH, BU BK WIRES, 33A,34B,49A,50A, 14 AWG |
| FUS02239 | 5             | 2        | MIN=10/10 FUSE; TIME DELAY, CLASS CC, 5.6 AMPS, 600V  |
| HLD00159 | 5             | 2        | HOLDER; FUSE  |
| PNL24293 | 8             | 1        | PANEL; ENCLOSURE, TBUE, 20.42 HT  |
| BRK03707 | 9             | 1        | BRACKET; TRANSFORMER FUSE HOLDER, 5.51 X 1.80   |
| TRR02551 | 10            | 1        | TRANSFORMER; AUTO, BALANCED, 575V PRI, 240V SEC, 60 HZ, 2KVA, CLASS 1                               |
| MNT01716 | 11            | 1        | MOUNT; TRANSFORMER, 9.8 X 8.7   |
| PNL13077 | 14            | 1        | PANEL; TBUE, CONDUIT CONN, 5.4 X 3.5  |
| PNL13075 | 16            | 1        | PANEL; FRONT, POWER DISCONNECT, 20.42 X 5.00  |

REFRIGERATION

75011206

REV.  
A



This is a typical illustration. The unit in the field may not appear exactly as shown.

Parts List Number :YSCUP9

Model Number :YSC060GWRHA0000

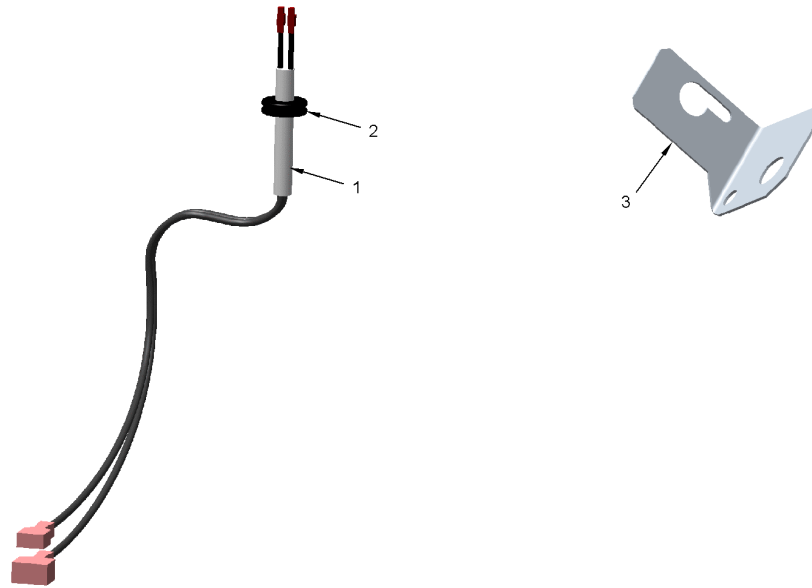
| Part No. | Reference No. | Quantity | Description   |
|----------|---------------|----------|---|
| BOF02425 | *             | 1        | BLOCKOFF; ID COIL TOP   |
| BOF02426 | *             | 1        | BLOCKOFF; ID COIL - BOTTOM  |
| HTR03436 | *             | 1        | HEATER; CRANKCASE 6.5 DIA, 40W, 575V, 45 INCH LEADS (32W AT 460V)                                   |
| TOL05032 | *             | 1        | TOOL; FILTER REMOVAL  |
| WIR03227 | *             | 1        | WIRE; PLUG, 30 IN LENGTH, FOR 230/60/3 OR 460/60/3 OR 575/60/3 SCROLL COMPRESSOR (RD,BL,BK WIRES)   |
| BRK03274 | 1             | 4        | BRACKET; BASE SUPPORT MOUNT, 10.3 LENGTH (FORKLIFT BRACKET)   |
| PLT04187 | 2             | 1        | PLATE; COMPRESSOR MOUNTING, 17.0 X 11.0   |
| ISR00007 | 3             | 4        | ISOLATOR; VIBRATION   |
| NUT00355 | 3             | 4        | NUT; HEX, LOCK, 5/16IN.-18  |
| COM10357 | 4             | 1        | COMPRESSOR; SCROLL, SXA049B7BPZ, 4.1 TON, 575/60/3, R410A, BRAZED CONN                              |
| COR00006 | 5             | 1        | CORE; VALVE PORT, .79 LENGTH, .206-36 UNS 2A THD  |
| VAL01483 | 5             | 1        | VALVE; BODY, .44-20 THD X .25 ODS, STRAIGHT, BRASS, LESS CORE                                       |
| ANG01323 | 6             | 1        | ANGLE; TOGGLE LOCK, 41.93 X 1.80  |
| DHY01511 | 7             | 1        | DRIER; FILTER, LIQUID LINE, 5/16 ODM INLET X 5/16 ODF OUTLET, 8 CU INCH                             |
| CNL01178 | 9             | 1        | CHANNEL; INDOOR COIL SUPPORT, 42 INCH LENGTH  |
| RAL00873 | 10            | 1        | RAIL; BASE, 69.8 X 44.2 (3 SIDES,U SHAPED)  |
| RAL00874 | 11            | 1        | RAIL; END, 44.0 LENGTH  |
| COL25999 | 13            | 1        | COIL; ASSEMBLY; INDOOR COIL, MC   |
| VAL12335 | 14            | 1        | VALVE; EXPANSION; TR6 5T  |
| PAN03947 | 15            | 1        | PAN; DRAIN, CONDENSATE REMOVAL, 39.47 L, ATTACHES TO BOTTOM OF THE ID COIL                          |
| CAP00072 | 16            | 1        | CAP; VALVE, SEAL, .25 FFL   |
| SET00819 | 16            | 1        | SEAT; SADDLE MOUNT ASSEMBLY   |
| STM00803 | 16            | 1        | STEM; SADDLE MOUNT, VALVE CORE, BRASS, .344 DIA X 1.29 SCHRAEDER TYPE FITTING (TO INCLUDE 5 PIECES) |
| SWT03623 | 17            | 1        | SWITCH; LOW PRESSURE CUTOUT, 250 OPEN, ACTUATION PRESSURE 55 +/- 5, RESET PRESSURE 35 +/- 5         |
| WIR04406 | 17            | 1        | WIRE; HARNESS, LOW PRESSURE SWITCH, 42 IN LENGTH, BLUE WIRES, CIR 1                                 |
| THT02805 | 18            | 1        | THERMOSTAT; WITH CLIP, .5/ .625 TUBE, 38 IN, BLACK WIRES, SPST, 230F OPEN, 180F CLOSE               |
| CAP00072 | 19            | 1        | CAP; VALVE, SEAL, .25 FFL   |
| SET00819 | 19            | 1        | SEAT; SADDLE MOUNT ASSEMBLY   |
| STM00803 | 19            | 1        | STEM; SADDLE MOUNT, VALVE CORE, BRASS, .344 DIA X 1.29 SCHRAEDER TYPE FITTING (TO INCLUDE 5 PIECES) |
| SWT03398 | 20            | 1        | SWITCH; HIGH PRESSURE, BRAZED, OPENS AT 650 PSIG, CLOSES AT 550 PSIG, 36 INCH WHITE LEADS           |

OUTDOOR AIR SENSOR

75010620

REV.  
A

TYPICAL ILLUSTRATION



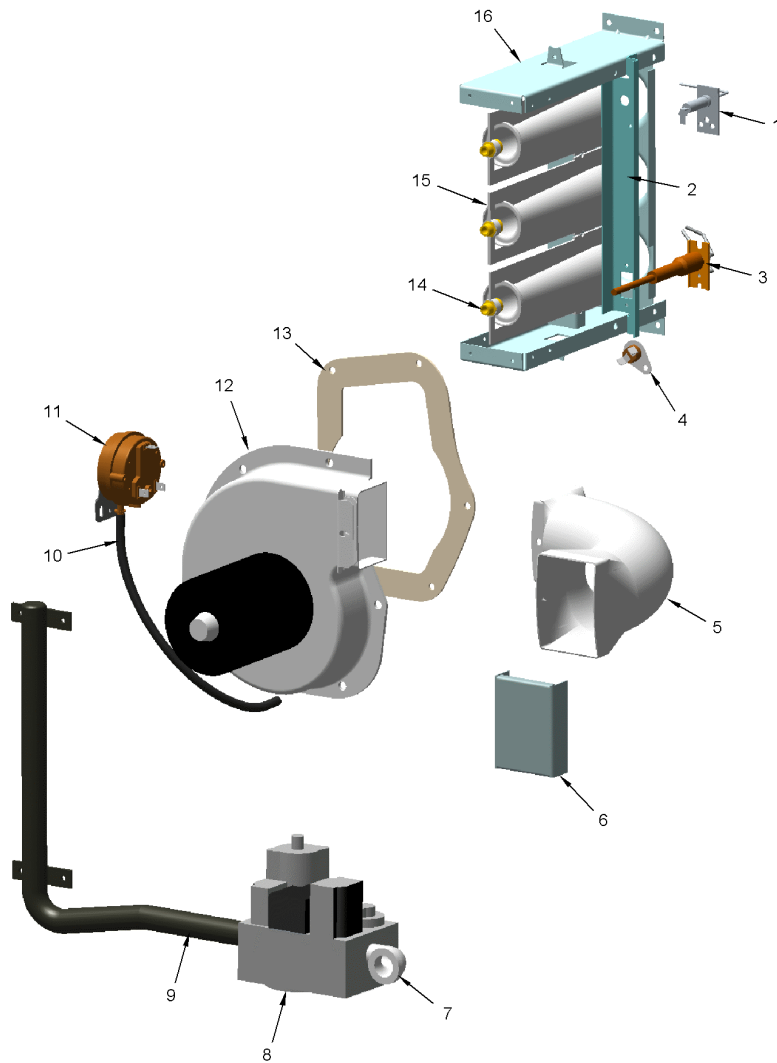
| <b>Part No.</b> | <b>Reference No.</b> | <b>Quantity</b> | <b>Description</b>   |
|-----------------|----------------------|-----------------|--|
| SCR01623        | *                    | 4               | SCREW; SHEET METAL, 10-16 UNC X 1/2, HIGH TORQUE, INDENT HEX-WASHER HEAD |
| SEN00275        | 1                    | 1               | SENSOR; THERMISTOR PROBE, -40 DEG C TO 65 DEG C, 12 INCH STRIPPED LEADS  |
| GRM00039        | 2                    | 1               | GROMMET; RUBBER .25 ID X .05 GRV MLD                                     |
| BRK04441        | 3                    | 1               | BRACKET; OUTDOOR AIR SENSOR  |

BURNER

75010605

REV  
A

TYPICAL ILLUSTRATION

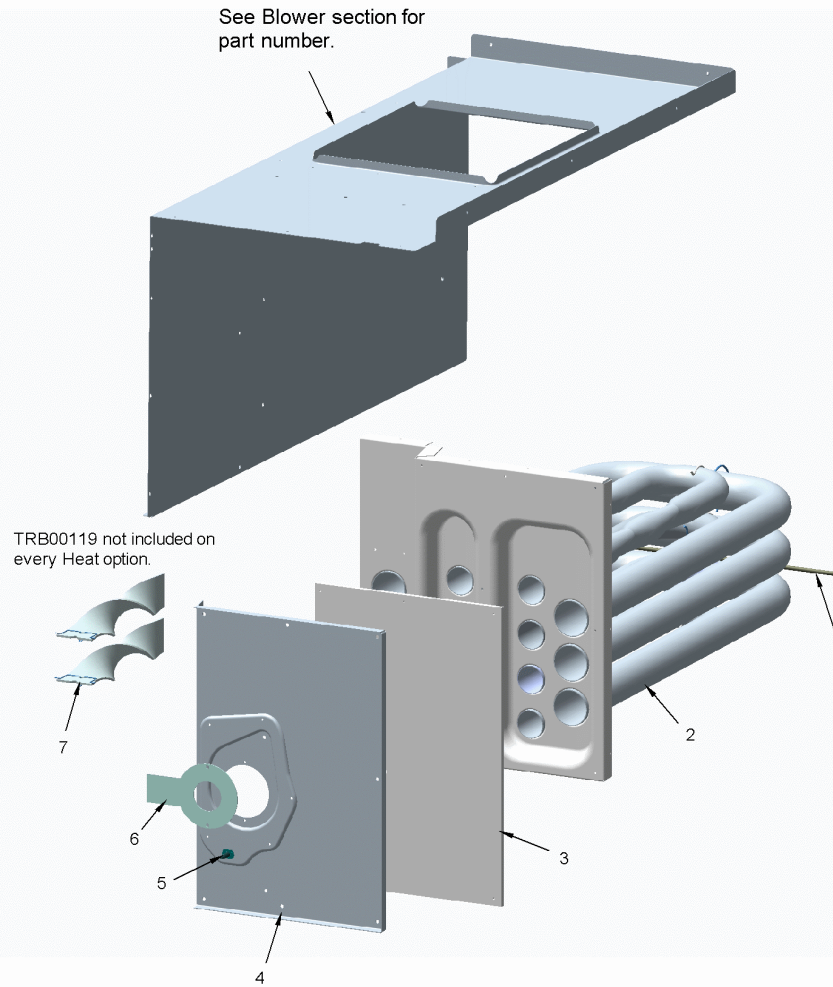


| Part No. | Reference No. | Quantity | Description  |
|----------|---------------|----------|--|
| SWT02649 | *             | 1        | SWITCH; FLAME ROLLOUT, 240F, OPENS ON TEMP RISE, MANUAL RESET, SPST, 25A/240V QC TERMINAL  |
| SEN00297 | 1             | 1        | SENSOR; FLAME  |
| IGN00114 | 3             | 1        | IGNITOR; ELECTRODE, 57 IN LEAD   |
| CNT03785 | 4             | 1        | CONTROL; LIMIT, 170F, AUTOMATIC RESET, SPST, NC, 15A/120VAC, 10A/240VAC, QC TERMINAL   |
| CNT03786 | 4             | 1        | CONTROL; LIMIT, 225F, AUTOMATIC RESET, SPST, NC, 15A/120VAC, 10A/240VAC, QC TERMINAL   |
| DUC00960 | 5             | 1        | DUCT; FLUE EXHAUST, WRINKLE, 2.25 INCH   |
| GRD01506 | 6             | 1        | GUARD; GAS HEAT EXHAUST, 6 X 6 WIRE MESH SCREEN, 2.28 ID   |
| ELL00026 | 7             | 1        | ELBOW; BLACK IRON, .50 NPS, 90 DEG ST,150#   |
| VAL07973 | 8             | 1        | VALVE; GAS, .50 NPTI, 24V, FASTING ACTING  |
| MFD01149 | 9             | 1        | MANIFOLD; 3 BURNER   |
| TUB08299 | 10            | 1        | TUBE; CONNECTING PRESSURE SW 3/16 IN. ID X 11.00 IN. LENGTH  |
| CNT03520 | 11            | 1        | CONTROL; DIFFERENTIAL PRESSURE SWITCH, -0.15 IN WC OPEN, SPDT, SNAP ACTING CONTACTS, NO, 3 FLA, 18 LRA AT 24 VAC                               |
| BLW00951 | 12            | 1        | BLOWER; FAN ASM W/ BLOWER, 1/15 HP MOTOR, 208-230/50-60/1, 3300 RPM, .4 AMPS, SINGLE STAGE INDUCER, CNTFGL, STAINLESS STEEL HOUSING AND BLOWER |
| GKT03850 | 13            | 1        | GASKET; COMBUSTION BLOWER  |
| ORF01340 | 14            | 3        | ORIFICE; SPUD, .125 DIA  |
| BNR01071 | 15            | 3        | BURNER; 0.60 ID INSHOT BURNER, 0.036 THK 304 STAINLESS STEEL   |
| BRK04318 | 16            | 1        | BRACKET; GAS 3-BURNER SUPPORT, 8.50 X 2.53 X 9.66  |

HEAT EXCHANGER

75011224

REV.  
A



This is a typical illustration. The unit in the field may not appear exactly as shown.

| <b>Part No.</b> | <b>Reference No.</b> | <b>Quantity</b> | <b>Description</b>  |
|-----------------|----------------------|-----------------|---|
| GKT03851        | *                    | 1               | GASKET; VESTIBULE, 17.69 X .25 THICK                                |
| ROD01125        | 1                    | 1               | ROD; SUPPORT, 18 IN   |
| EXC02673        | 2                    | 1               | EXCHANGER; HEAT 5 TON HIGH HEAT AL                                  |
| INS03524        | 3                    | 1               | INSULATION; HEAT EXCHANGER  |
| PNL33402        | 4                    | 1               | PANEL; COLLECTOR COVER  |
| CLP00942        | 5                    | 1               | CLIP; STATIC, RETAINER, .80 X .56 X .022                            |
| WEL00848        | 5                    | 1               | WELL; BULB, TAP, STATIC, 1.0 LENGTH X 0.50 OD X 0.281 OD X 0.125 ID |
| TRB00119        | 7                    | 3               | TURBULATOR; INLET, 12 INCH, INCLUDES WIR04279 WIRE SUPPORT          |
| WIR04279        | 7                    | 3               | WIRE; TURBULATOR SUPPORT  |

Parts List Number :YSCUP9

Model Number :YSC060GWRHA0000

| Part No.    | Reference No. | Quantity | Description   |
|-------------|---------------|----------|---|
| ASYSTAT712B | *             | 1        | SENSOR; CO2 SENSING KIT; WALL MOUNTED (ASYSTAT712B)   |
| ASYSTAT714B | *             | 1        | SENSOR; CO2 SENSING KIT; DUCT MOUNTED (ASYSTAT714B)   |
| BAYABRD001C | *             | 1        | KIT; ACCESSORY, OPTIONS BOARD (BAYABRD001CA)  |
| BAYBARM010A | *             | 1        | DAMPER; BAROMETRIC RELIEF (BAYBARM010AB)  |
| BAYBCIR001A | *             | 1        | KIT; FIELD INSTALLED BCI (BAYBCIR001A)  |
| BAYCO2K001B | *             | 1        | KIT; CO2 SENSING (A RELIATEL ECONOMIZER MODULE WITH DCV CONNECTIONS MUST BE USED WITH THIS KIT)   |
| BAYCO2K003B | *             | 1        | KIT; CO2 DEMAND-CONTROLLED VENTILATION DUCT SENSOR (A RELIATEL ECONOMIZER MODULE WITH DCV CONNECTIONS MUST BE USED WITH THIS KIT)           |
| BAYCURB042A | *             | 1        | CURB; ROOFCURB (BAYCURB042AB)   |
| BAYDFPS004A | *             | 1        | KIT; FAN FAILURE SWITCH (BAYDFPS004AB). (OPTIONS BOARD KIT09433-BAYABRD001CA MUST BE INSTALLED IN THE UNIT FOR THIS ACCESSORY TO OPERATE).  |
| BAYDMPR051A | *             | 1        | DAMPER; RELIATEL, 0-50 PERCENT MOTORIZED OUTSIDE AIR DAMPER (BAYDMPR051A)   |
| BAYDMPR053B | *             | 1        | DAMPER; 0-50% MANUAL OUTSIDE AIR DAMPER (BAYDMPR053BA)  |
| BAYECON085A | *             | 1        | ECONOMIZER; RELIATEL, 0-100 PERCENT DRY BULB (BAYECON085A)  |
| BAYENTH005A | *             | 1        | KIT; REFERENCE ENTHALPY (BAYENTH005A)   |
| BAYENTH006B | *             | 1        | KIT; COMPARATIVE ENTHALPY (BAYENTH006B)   |
| BAYGARD137A | *             | 1        | ACCY; PRECEDENT HAIL GUARD  |
| BAYHAKT010D | *             | 1        | HIGH ALTITUDE KIT (BAYHAKT010D)   |
| BAYICSI003A | *             | 1        | BOARD; ACCESSORY, RELIATEL COMMUNICATIONS INTERFACE BOARD (BAYICSI003AD)  |
| BAYLMSW001A | *             | 1        | POWER EXHAUST LIMIT SWITCH  |
| BAYLOAM120A | *             | 1        | KIT; EVAPORATOR DEFROST, CLIP-ON, RELIATEL  |
| BAYLPKT050C | *             | 1        | ACCESSORY; LP CONVERSION KIT FOR 3-8.5 TON PRECEDENT UNITS  |
| BAYLTCI002B | *             | 1        | KIT; RELIATEL COMMUNICATIONS INTERFACE THAT INCORPORATES LONTALK PROTOCOL (BAYLTCI002BB)  |
| BAYPWRX072A | *             | 1        | POWER EXHAUST, 575V, FOR 3-5 TON T/W/YSC & D/T/W/YHC  |
| BAYQACB009A | *             | 1        | CURB; ADAPTA CURB (BAYQACB009AA), TRANSITIONS BAYCURB021B, 78.125 X 43.875  |
| BAYQACB010A | *             | 1        | CURB; ADAPTA CURB (BAYQACB010AA), TRANSITIONS BAYCURB022B, 77.625 X 46.875  |
| BAYRTEM001A | *             | 1        | RELIATEL ECONOMIZER LOGIC MODULE  |
| BAYTUBE104A | *             | 1        | KIT; DISCHARGE AIR SENSING, GAS HEAT, F CAB   |
| BAYVNOR001B | *             | 1        | KIT; VENTILATION OVERRIDE (BAYVNOR001BB) (OPTIONS BOARD KIT09433-BAYABRD001CA MUST BE INSTALLED IN THE UNIT FOR THIS ACCESSORY TO OPERATE). |
| KIT17430    | *             | 1        | KIT17430; TD5 DISPLAY UPGRADE PRECEDENT LIGHT COMMERCIAL  |
| PLT04561    | *             | 1        | PLATE; WALL COVER PLATE ASSEMBLY (BAYMTPL110A)  |
| SEN00278    | *             | 1        | SENSOR; THERMISTOR PROBE, -40 DEG C TO 65 DEG, STRIPPED LEADS (BAYSENS016AA)  |
| SEN00435    | *             | 1        | SENSOR; ZONE LEVEL 4 (BAYSENS017BB) REMOTE ROOM SENSOR  |
| SEN00495    | *             | 1        | SENSOR; ZONE LEVEL 4 (BAYSENS013CA) ROOM SENSOR W/ OVERRIDE AND CANCEL BUTTONS  |
| SEN00496    | *             | 1        | SENSOR; ZONE LEVEL 4 (TRANE). (BAYSENS014CA) ROOM SENSOR W/ TEMP. ADJUSTMENT WITH OVERRIDE AND CANCEL BUTTONS                               |
| SEN01447    | *             | 1        | SENSOR; ZONE, ROOM SENSOR W/TEMP. ADJUSTMENT WITH OVERRIDE AND CANCEL BUTTONS, 10K, DIAL, OCCUPIED (BAYSENS074AA)                           |
| SEN01448    | *             | 1        | SENSOR; ZONE, REMOTE ROOM SENSOR, 10K (BAYSENS077AA)  |
| SEN01450    | *             | 1        | SENSOR; ZONE, ROOM SENSOR W/ OVERRIDE AND CANCEL BUTTONS, 10K, OCCUPIED (BAYSENS073AA)  |
| SEN01513    | *             | 1        | SENSOR; ZONE; DUAL SETPOINT MANUAL OR AUTO CHANGOVER, TWO SET FAN SYSTEM (BAYSENS108AA)   |
| SEN01515    | *             | 1        | SENSOR; ZONE SINGLE SETPOINT MANUAL CHANGOVER, SET FAN SYSTEM, COOL/OFF/HEAT (BAYSENS106A)  |

Parts List Number :YSCUP9

Model Number :YSC060GWRHA0000

| Part No. | Reference No. | Quantity | Description  |
|----------|---------------|----------|--|
| SEN01522 | *             | 1        | SENSOR; ZONE, DUAL SETPOINT MANUAL OR AUTO CHANGEOVER W/SYSTEM FUNCTION LIGHTS TWO SET FAN SYSTEM, LED (BAYSENS110A) |
| SEN01577 | *             | 1        | SENSOR; PROGRAMMABLE ZONE, AUTOMATIC OR MANUAL CHANGEOVER W/ SYSTEM LIGHTS TRANE (BAYSENS119AA)                      |
| SEN01665 | *             | 1        | SENSOR; DUAL SETPOINT, W/FAN CONTROL - AUTO/HIGH (BAYSENS135A)   |
| THT00839 | *             | 1        | THERMOSTAT; REMOTE POTENTIOMETER, 60-90 DEG F (BAYSTAT023AA)   |
| THT02239 | *             | 1        | THERMOSTAT; HIGH TEMPERATURE (BAYFRST001AA)  |
| TOL00099 | *             | 1        | TOOL; RESISTANCE DECADE BOX  |

## MODEL NUMBER NOTES

75011257

REV.  
A

Precedent Cooling and Gas/Electric

*Example Model Number:*

**YSC063G4RHA0AG0C1C2B203DHC100F1**  
1 - - - 5 - - - 10 - - - 15 - - - 20 - - - 25 - - - 30 -

### Model Number Notes

- (1) Manual outside air damper will ship factory supplied within the unit, but must be field installed.
- (2) Economizer with Barometric Relief is for downflow configured units only. Order Economizer without Barometric Relief for horizontal configuration. Barometric Relief for horizontal configured units must be ordered as a field installed accessory.
- (3) Not available with Electromechanical controls.
- (4) Epoxy coil and epoxy with hailguard option not available for units with microchannel Coils.
- (5) Through the base electric required when ordering disconnect/circuit breaker options.
- (6) Includes gas piping and shutoff (field assembly required). *Digits 18=B,C applicable to Digit 1,Y models only.*
- (7) Requires use of Disconnect or Circuit Breaker.
- (8) Standard metering devices are TXVs.
- (9) High pressure control is standard on all units
- (10) Froststat™ cannot be field installed in electromechanical units. Froststat™ is standard on Y/TSC033 to 063G electromechanical units.
- (11) Not available with high temperature duct sensor accessory.
- (12) The return air smoke detector may not fit up or work properly on the Precedent units when used in conjunction with 3rd party accessories such as bolt on heat wheels, economizers and power exhaust. Do not order the return air smoke detectors when using this type of accessory.
- (13) Return air smoke detector cannot be ordered with Novar controls.
- (14) The Clogged Filter Switch, Fan Failure Switch and Discharge Air Sensing Tube are standard when ordering Novar controls.
- (15) The Clogged Filter Switch, Fan Failure Switch and Discharge Air Sensing Tube are ordering Novar controls.
- (16) Novar sensor utilized with 21=(4) Novar 3051 controls without zone sensor.
- (17) Demand Control Ventilation Option includes wiring only. The CO<sub>2</sub> sensor is a field-installed only option.

|  |   |
|--|---|
| <p><b>MODEL NUMBER DESCRIPTION</b> <span style="float: right;">75011255</span> <span style="float: right; border: 1px solid black; padding: 2px;">RP<br/>A</span></p> <p>Precedent Cooling and Gas/Electric</p>  |   |
| <p><i>Example Model Number:</i></p> <p><b>YSC063G4RHA0AG0C1C2B203DHC100F1</b></p> <p>1 - - - - 5 - - - - 10 - - - - 15 - - - - 20 - - - - 25 - - - - 30 - - - -</p>  |   |
| <p><b>Digit 1 – Unit Type</b><br/>T = DX Cooling<br/>Y = DX Cooling, Gas Heat</p> <p><b>Digit 2 – Efficiency</b><br/>S = Standard Efficiency</p> <p><b>Digit 3 – Airflow</b><br/>C = Convertible</p> <p><b>Digits 4,5,6 – Nominal Gross Cooling Capacity (MBh)</b><br/>033 = 3 Ton (13 SEER)<br/>036 = 3 Ton<br/>043 = 4 Ton (13 SEER)<br/>048 = 4 Ton<br/>060 = 5 Ton<br/>063 = 5 Ton (13 SEER)</p> <p><b>Digit 7 – Major Design Sequence</b><br/>G = Microchannel Type Evaporator and Condenser Coils</p> <p><b>Digit 8 – Voltage Selection</b><br/>3 = 208-230/60/3<br/>4 = 460/60/3<br/>W = 575/60/3</p> <p><b>Digit 9 – Unit Controls</b><br/>E = Electromechanical<br/>R = ReliaTel™ Microprocessor</p> <p><b>Digit 10 – Heating Capacity</b><br/>0 = No Electric Heat<br/>B = 6 kW (3 phase)<br/>E = 12 kW (3 phase)<br/>G = 18 kW (3 phase)<br/>J = 23 W (3 phase)<br/>L = Low Heat<br/>M = Medium Heat<br/>H = High Heat<br/>X = Low Heat, Stainless Steel Heat Exchanger<br/>Y = Medium Heat, Stainless Steel Heat Exchanger<br/>Z = High Heat, Stainless Steel Heat Exchanger</p> | <p><b>Digit 11 – Minor Design Sequence</b><br/>A = First Sequence</p> <p><b>Digits 12, 13 – Service Sequence</b><br/>** = Factory Assigned</p> <p><b>Digit 14 – Fresh Air Selection</b><br/>0 = No Fresh Air<br/>A = Manual Outside Air Damper 0-50% (1)<br/>B = Motorized Outside Air Damper 0-50%<br/>C = Economizer, Dry Bulb 0-100% without Barometric Relief (2)<br/>D = Economizer, Dry Bulb 0-100% with Barometric Relief (2)<br/>E = Economizer, Reference Enthalpy 0-100% without Barometric Relief (2,3)<br/>F = Economizer, Reference Enthalpy 0-100% with Barometric Relief (2,3)<br/>G = Economizer, Comparative Enthalpy 0-100% without Barometric Relief (2,3)<br/>H = Economizer, Comparative Enthalpy 0-100% with Barometric Relief (2,3)<br/>K = Low Leak Economizer with Barometric Relief<br/>M = Low Leak Economizer with Reference Enthalpy with Barometric Relief<br/>P = Low Leak Economizer with Comparative Enthalpy with Barometric Relief</p> <p><b>Digits 15 – Supply Fan/Drive Type/Motor</b><br/>0 = Multi Speed Direct Drive Motor<br/>1 = Oversized Motor</p> <p><b>Digit 16 – Hinged Service Access/Filters</b><br/>0 = Standard Panels/Standard Filters<br/>A = Hinged Access Panels/Standard Filters<br/>B = Standard Panels/2" MERV 8 Filters<br/>C = Hinged Access Panels/2" MERV 8 Filters<br/>D = Standard Panels/2" MERV 13 Filters<br/>E = Hinged Access Panels/2" MERV 13 Filters</p> <p><b>Digit 17 – Condenser Coil Protection (4)</b><br/>0 = Standard Coil<br/>1 = Standard Coil with Hail Guard<br/>4 = CompleteCoat Condenser Coil<br/>5 = CompleteCoat Condenser Coil with Hail Guard</p> |
| <p>1 of 3</p>  |   |

| MODEL NUMBER DESCRIPTION   | 75011256   | REV<br>A |
|--|--|----------|
| Precedent Cooling and Gas/Electric   |  |          |
| <i>Example Model Number:</i><br><b>YSC063G4RHA0AG0C1C1B203DHC100F1</b><br><small>1 - - - 5 - - - 10 - - - 15 - - - 20 - - - 25 - - - 30 -</small>  |  |          |
| <b>Digit 18 – Through the Base Provisions</b><br>0 = No Through-the-Base Provisions<br>A = Through-the-Base Electric (5)<br>B = Through-the-Base Gas Piping (6)<br>C = Through-the-Base Electric and Gas Piping (6)  | <b>Digit 25 – System Monitoring Controls (14)</b><br>0 = No Monitoring System<br>1 = Clogged Filter Switch<br>2 = Fan Failure Switch<br>3 = Discharge Air Sensing Tube<br>4 = Clogged Filter Switch and Fan Failure Switch<br>5 = Clogged Filter Switch and Discharge Air Sensing Tube<br>6 = Fan Failure Switch and Discharge Air Sensing Tube<br>7 = Clogged Filter Switch, Fan Failure Switch and Discharge Air Sensing Tube<br>8 = Novar Return Air Sensor (NOVAR 2024) (15)<br>9 = Novar Zone Temp Sensor (NOVAR 3051) (16)<br>A = Condensate Drain Pan Overflow Switch<br>B = Clogged Filter Switch and Condensate Drain Pan Overflow Switch<br>C = Fan Failure Switch and Condensate Drain Pan Overflow Switch<br>D = Discharge Air Sensing and Condensate Drain Pan Overflow Switch<br>E = Clogged Filter Switch, Fan Failure Switch, and Condensate Drain Pan Overflow Switch<br>F = Clogged Filter Switch, Discharge Air Sensing, and Condensate Drain Pan Overflow Switch<br>G = Fan Failure Switch, Discharge Air Sensing and Condensate Drain Pan Overflow Switch<br>H = Clogged Filter Switch, Fan Failure Switch, Discharge Air Sensing, and Condensate Drain Pan Overflow Switch |          |
| <b>Digit 19 – Disconnect/Circuit Breaker</b><br>0 = No Disconnect/No Circuit Breaker<br>1 = Unit Mounted Non-Fused Disconnect (5)<br>2 = Unit Mounted Circuit Breaker (5)  |  |          |
| <b>Digit 20 – Convenience Outlet</b><br>0 = Convenience Outlet<br>A = Unpowered Convenience Outlet<br>B = Powered Convenience Outlet (7)   |  |          |
| <b>Digit 21 – Communications Options (3)</b><br>0 = No Communications Interface<br>1 = Trane® Communications Interface<br>2 = LonTalk® Communications Interface<br>3 = Novar 2024 Controls<br>4 = Novar 3051 Controls without Zone Sensor<br>5 = Novar 3051 Controls Interface with DCV<br>6 = BACnet® Communications Interface<br>7 = Wireless Building Automation Control Network Communications Interface |  |          |
| <b>Digit 22 – Refrigeration System Option</b><br>0 = Standard Refrigeration System (8)   |  |          |
| <b>Digit 23 – Refrigeration Controls</b><br>0 = Without Refrigeration Controls (9)<br>1 = Frostat™ (10)<br>2 = Crankcase Heater<br>3 = Frostat™ (10) and Crankcase Heater  | <b>Digit 26 – System Monitoring Controls</b><br>0 = No Monitoring Controls<br>A = Demand Control Ventilation (CO <sub>2</sub> ) (17)<br>B = Low Leak Economizer with FDD (Fault Detection & Diagnostics)<br>C = FDD (Fault Detection & Diagnostics) with DCV (Demand Control Ventilation)  |          |
| <b>Digit 24 – Smoke Detector (11)</b><br>0 = No Smoke Detector<br>A = Return Air Smoke Detector (12,13)<br>B = Supply Air Smoke Detector<br>C = Supply and Return Air Smoke Detectors (12,13)<br>D = Plenum Smoke Detector   | <b>Digits 27 – Unit Hardware Enhancements</b><br>0 = No Enhancements<br>1 = Stainless Steel Drain Pan  |          |
|  | <b>Digit 31 – Advanced Unit Controls</b><br>0 = Standard Unit Controls<br>1 = Human Interface  |          |

