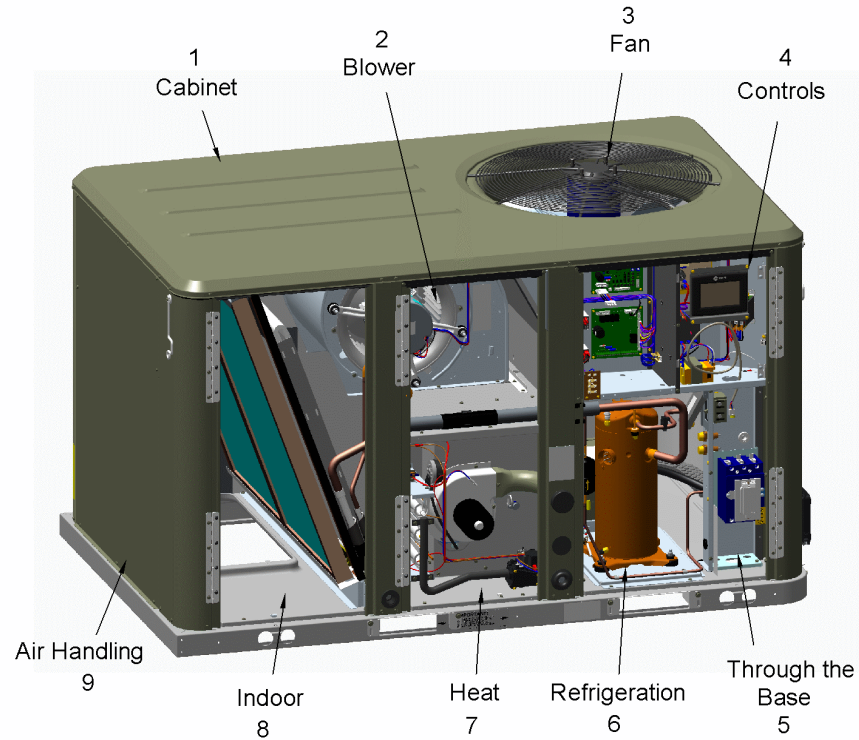


PACKAGED GAS/ELECTRIC

75011205

REV
A

The sections that appear on this illustration are for all options.
Sections and options will appear in the Parts List if ordered with the unit.



This is a typical illustration. The unit in the field may not appear exactly as shown.

Parts List Number :YSCUP9

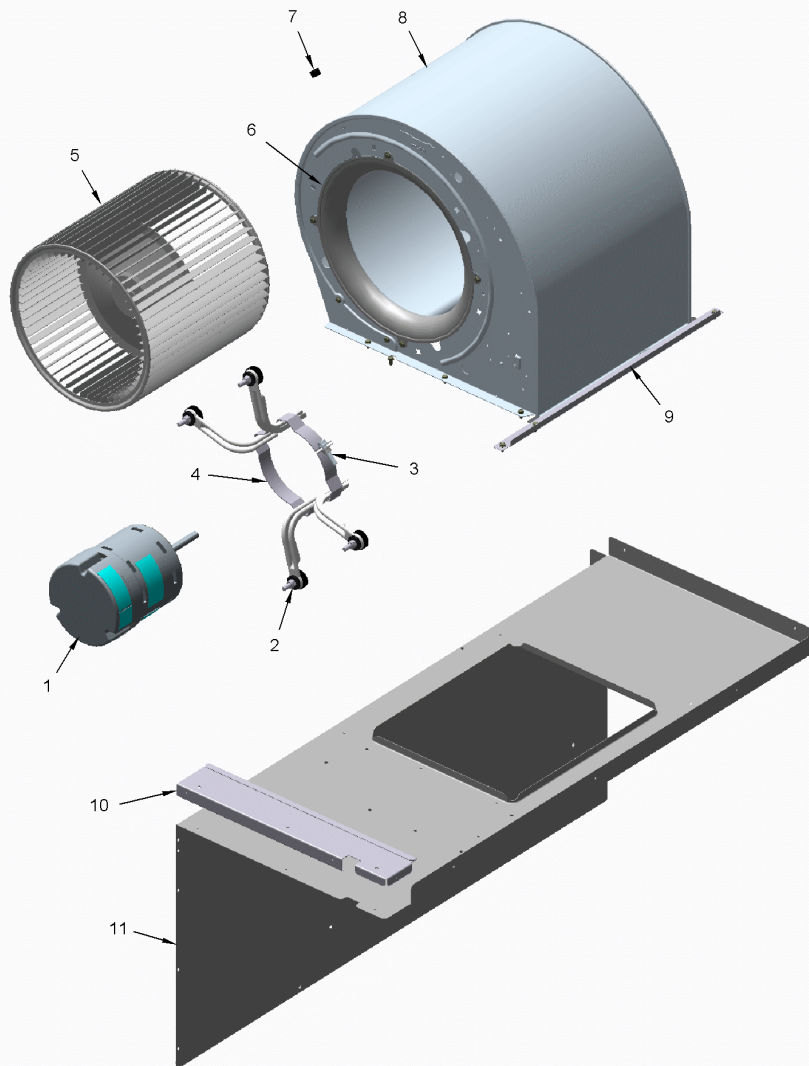
Model Number :YSC048GWEHB0000

Part No.	Reference No.	Quantity	Description
75011208	2		BLOWER
75011210	3		FAN
75011228	4		CONTROL PANEL
75010594	5		THROUGH THE BASE COMPONENTS
75010620	6		OUTDOOR AIR SENSOR
75011206	6		REFRIGERATION - COMPRESSOR, INDOOR/OUTDOOR COILS, FILTERS
75010605	7		BURNERS, GAS VALVE, INDUCER, FD, FR, IP, TCO1
75012465	7		HEAT EXCHANGER
75011215	8		FROSTAT
OPTIONS	10		OPTIONAL FIELD INSTALLED ACCESSORIES
75011255	11		MODEL NUMBER DESCRIPTION DIGITS 1-17
75011256	11		MODEL NUMBER DESCRIPTION DIGITS 18-31
75011257	11		MODEL NUMBER NOTES

BLOWER

75011208

REV.
A



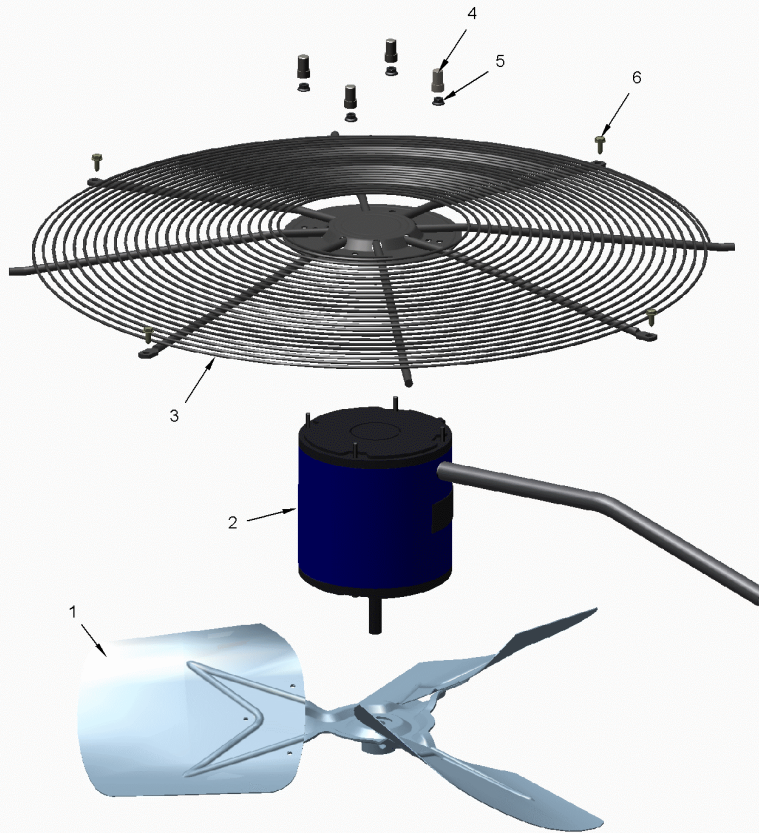
This is a typical illustration. The unit in the field may not appear exactly as shown.

Part No.	Reference No.	Quantity	Description
CNT03511	*	1	CONTROL; LIMIT, 120F, AUTOMATIC RESET, SPST, NC, 15A/120VAC, 10A/240VAC, QC TERMINAL
SCR01623	*	17	SCREW; SHEET METAL, 10-16 UNC X 1/2, HIGH TORQUE, INDENT HEX-WASHER HEAD
MOT17193	1	1	MOTOR; CONTANT TORQUE, 1 HP, 208-230/50-60/1, CW, 48 FRAME, BALL BEARING
BRK03657	2	4	BRACKET; MOTOR ARM, INCLUDES GROMMET. (CONTAINS A QTY OF 4 BRACKETS)
NUT00355	2	4	NUT; HEX, LOCK, 5/16IN.-18
NUT00446	3	1	NUT; 0.31-18, HEX FLANGE-LOCK
BRK03232	4	1	BRACKET; MOTOR MOUNTING, 17.6 LENGTH (4 LEG)
WHL02168	5	1	WHEEL; FAN, 11.87 DIA X 11.93 W, .50 BORE, CCW, CONCAVE. INCLUDES 5/16-18 X 1/2 INCH SQH CUP PT SET SCREW.
ORF01304	6	1	ORIFICE; INLET RING, 10.38 ID
BUS00485	7	1	BUSHING; .62 MTG W/MAX .44 ID
HUS03676	8	1	HOUSING; BLOWER, 11 X 11
BRK04715	9	1	BRACKET; INDOOR FAN, 22.00L X 0.90W X 0.50H
BRK04716	10	1	BRACKET; FAN ACCESS PANEL, 17.13L X 3.16W X 1.0H
PNL33591	11	1	PANEL; HEAT WRAPPER, 42.23L X 19.00W X 19.25H, 14.63 X 12.18 OPENING

FAN

75011210

REV.
A



This is a typical illustration. The unit in the field may not appear exactly as shown.

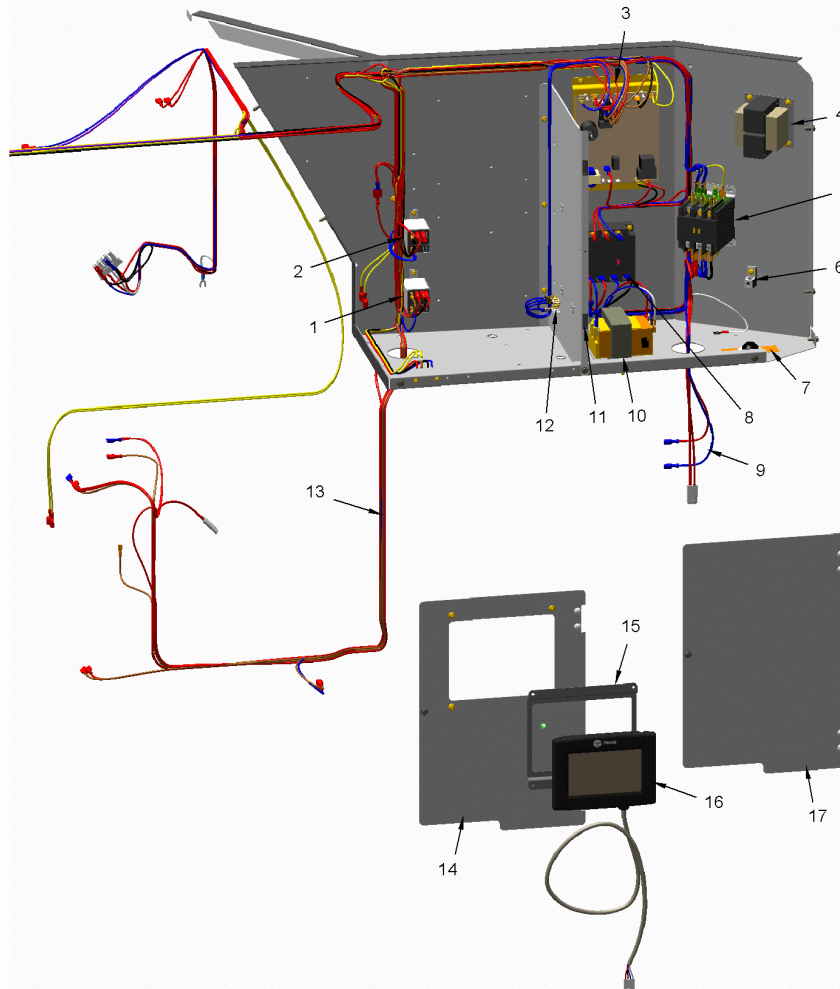
Part No.	Reference No.	Quantity	Description
FAN05568	1	1	PROPELLER; OD FAN - 22 INCH 3 BLADES
MOT17286	2	1	MOTOR; 3 PHASE 1/3 HP 575
GRL01332	3	1	GRILLE; FAN, 26.65 MTG HOLE DIAMETER
IRT00017	4	4	INSERT; BUMPER-STOP, 0.468 OD X 0.81 LG, BLACK RUBBER
NUT00845	5	4	NUT; FLANGE NIBBED
SCR01623	6	4	SCREW; SHEET METAL, 10-16 UNC X 1/2, HIGH TORQUE, INDENT HEX-WASHER HEAD

CONTROL PANEL

75011228

REV.
A

The parts that appear on this illustration are for all options.
Parts will appear in the Parts List if ordered with the unit.



This is a typical illustration. The unit in the field may not appear exactly as shown.

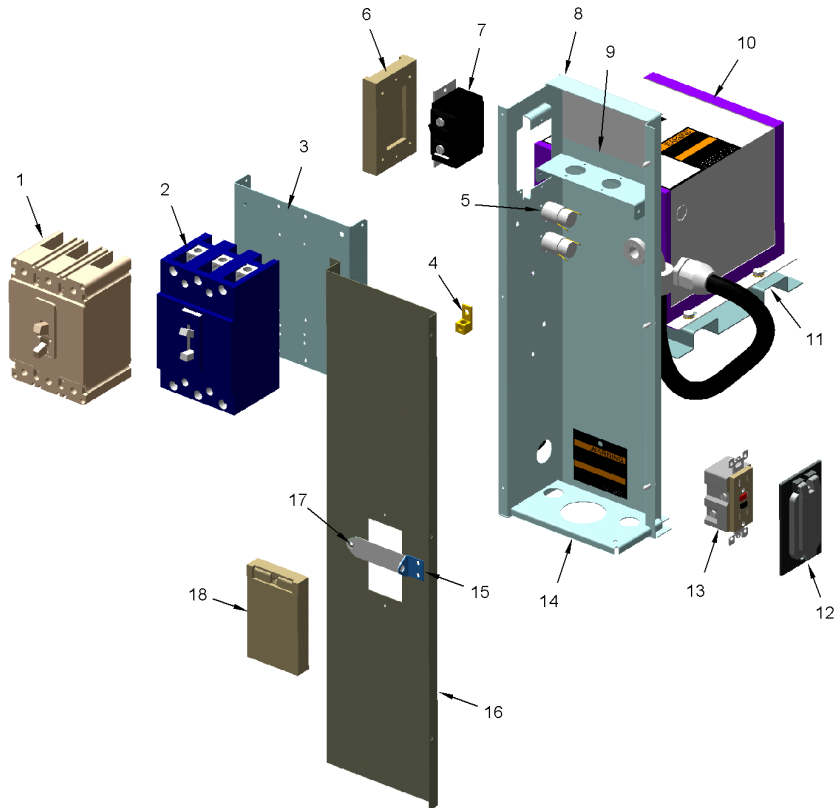
Part No.	Reference No.	Quantity	Description
BLK00940	*	1	BLOCK; 6 TERMINALS (LVTB)
WIR03230	*	1	WIRE; HARNESS, CRANKCASE HEATER, W/CTL
RLY03065	1	1	RELAY; DPDT, 5 AMPS AT 120/277 VAC, 24 VAC COIL, 750 RMS, COIL CLASS F
RLY03065	2	1	RELAY; DPDT, 5 AMPS AT 120/277 VAC, 24 VAC COIL, 750 RMS, COIL CLASS F
CNT04716	3	1	CONTROL; MODULE, STANDALONE GAS, SINGLE STAGE
BRK04176	4	1	BRACKET; IGNITION MODULE, 6.56 X 5.00 X 0.38
TRR01998	4	1	TRANSFORMER; AUTO, 480/600V PRI, 240V SEC, 150VA
CTR01826	5	1	CONTACTOR; 3 POLE, 30 FLA, 24 VAC COIL, WITH LUGS
CON00077	6	1	CONNECTOR, ELECTRIC GROUND, 14-2 AWG SOLDERLESS
CNT01405	7	1	CONTROL; TEMP, OPEN 65F, CLOSE 55F, SPST
CNT05176	8	1	CONTROL; MONITOR, 3-PHASE LINE, UNIVERSAL 180-632 VAC, PHASE AND LOSS REVERSAL
WIR09198	9	1	WIRE; HARNESS, POWER, 575V - RD,BL,BK,GR-Y,VI WIRES, INCLUDES PLUG TO IDM
TRR00826	10	1	TRANSFORMER; 75 VA, 460-575V PRI, 24V SEC
CAT00043	11	2	CATCH; MAGNETIC SNAP-IN
TER01680	12	1	TERMINAL STRIP; .25IN. FASTON
WIR09200	13	1	WIRE; HARNESS, CONTROLS, ELECTRO-MECHANICAL, INCLUDES LTB1: TER01594 AND TB-COM: TER01680

CONTROLS
THROUGH THE BASE
TYPICAL ILLUSTRATION

75010594

REV.
A

The parts that appear on this illustration are for all options.
Parts will appear in the Parts List if ordered with the unit.



Parts List Number :YSCUP9

Model Number :YSC048GWEHB0000

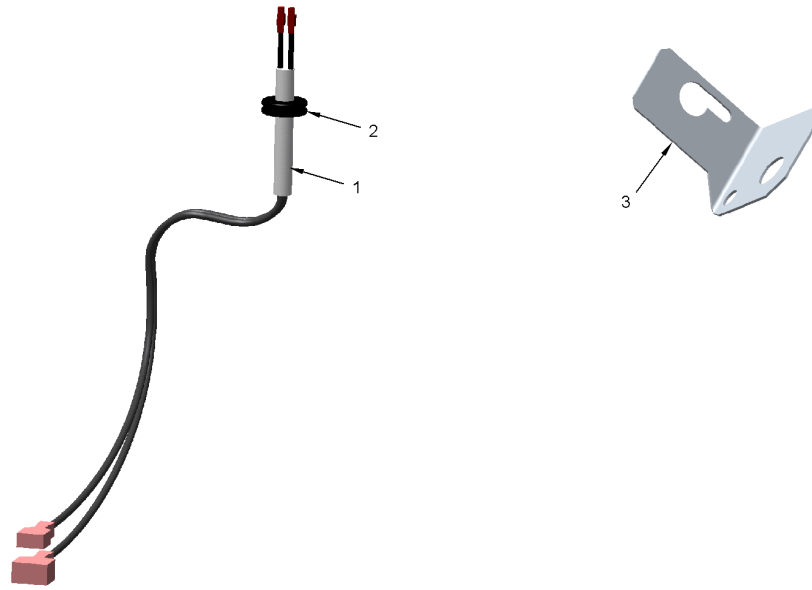
Part No.	Reference No.	Quantity	Description
BUS00465	*	1	BUSHING; SNAP, BLACK UNIVERSAL, 1.093 MOUNTING HOLE
CON00490	*	1	CONNECTOR; 0.50 NOM STR
WIR06538	*	1	WIRE; HARNESS - INDOOR MOTOR TRANSFORMER (TNS3), 53 IN LENGTH, BU BK WIRES, 33A,34B,49A,50A, 14 AWG
FUS02239	5	2	MIN=10/10 FUSE; TIME DELAY, CLASS CC, 5.6 AMPS, 600V
HLD00159	5	2	HOLDER; FUSE
PNL24293	8	1	PANEL; ENCLOSURE, TBUE, 20.42 HT
BRK03707	9	1	BRACKET; TRANSFORMER FUSE HOLDER, 5.51 X 1.80
TRR02551	10	1	TRANSFORMER; AUTO, BALANCED, 575V PRI, 240V SEC, 60 HZ, 2KVA, CLASS 1
MNT01716	11	1	MOUNT; TRANSFORMER, 9.8 X 8.7
PNL13077	14	1	PANEL; TBUE, CONDUIT CONN, 5.4 X 3.5
PNL13075	16	1	PANEL; FRONT, POWER DISCONNECT, 20.42 X 5.00

OUTDOOR AIR SENSOR

75010620

REV.
A

TYPICAL ILLUSTRATION

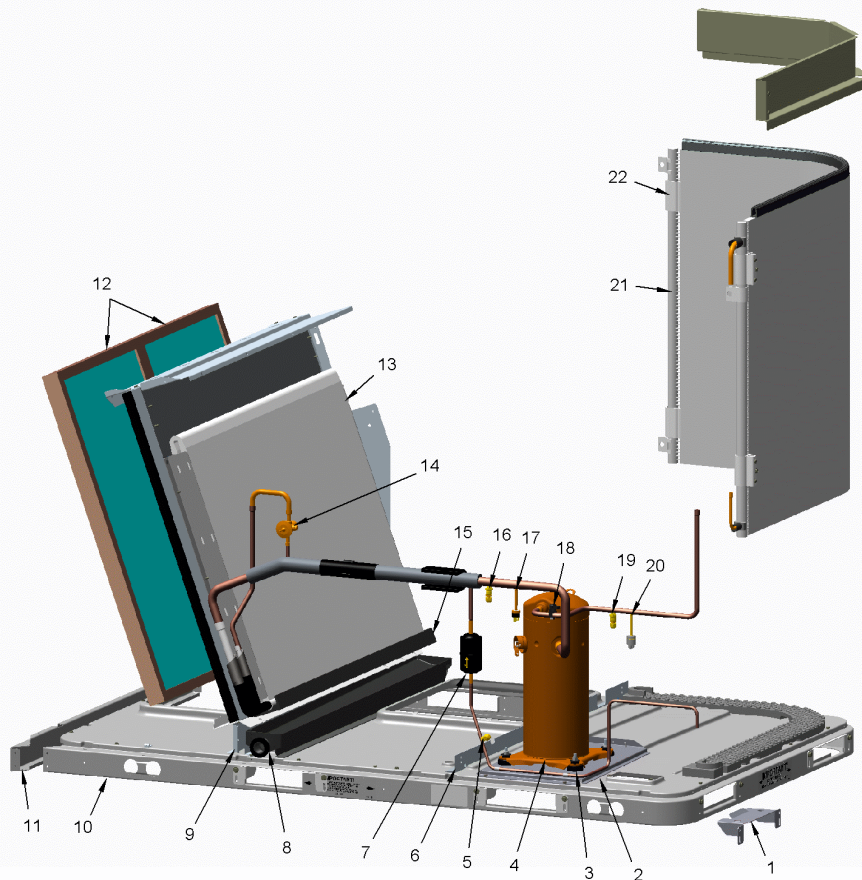


Part No.	Reference No.	Quantity	Description
SCR01623	*	4	SCREW; SHEET METAL, 10-16 UNC X 1/2, HIGH TORQUE, INDENT HEX-WASHER HEAD
SEN00275	1	1	SENSOR; THERMISTOR PROBE, -40 DEG C TO 65 DEG C, 12 INCH STRIPPED LEADS
GRM00039	2	1	GROMMET; RUBBER .25 ID X .05 GRV MLD
BRK04441	3	1	BRACKET; OUTDOOR AIR SENSOR

REFRIGERATION

75011206

REV.
A



This is a typical illustration. The unit in the field may not appear exactly as shown.

Parts List Number :YSCUP9

Model Number :YSC048GWEHB0000

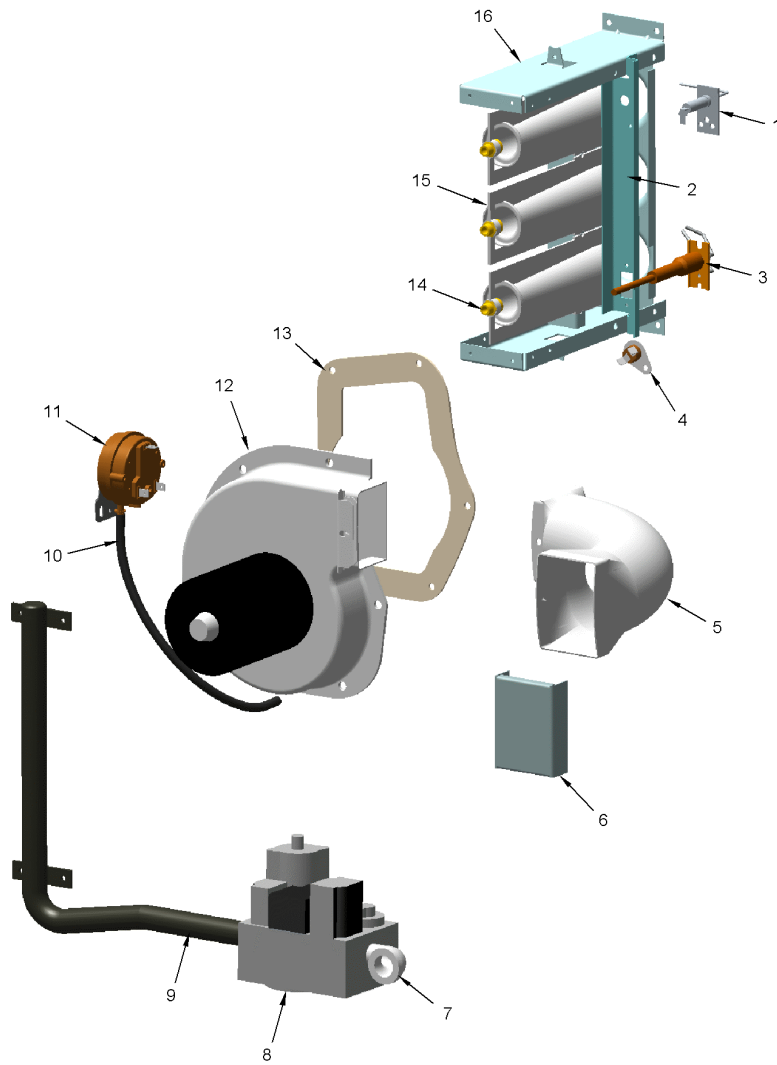
Part No.	Reference No.	Quantity	Description
BOF02425	*	1	BLOCKOFF; ID COIL TOP
BOF02426	*	1	BLOCKOFF; ID COIL - BOTTOM
HTR03436	*	1	HEATER; CRANKCASE 6.5 DIA, 40W, 575V, 45 INCH LEADS (32W AT 460V)
TOL05032	*	1	TOOL; FILTER REMOVAL
WIR03227	*	1	WIRE; PLUG, 30 IN LENGTH, FOR 230/60/3 OR 460/60/3 OR 575/60/3 SCROLL COMPRESSOR (RD,BL,BK WIRES)
BRK03274	1	4	BRACKET; BASE SUPPORT MOUNT, 10.3 LENGTH (FORKLIFT BRACKET)
PLT04187	2	1	PLATE; COMPRESSOR MOUNTING, 17.0 X 11.0
ISR00007	3	4	ISOLATOR; VIBRATION
NUT00355	3	4	NUT; HEX, LOCK, 5/16IN.-18
COM10302	4	1	COMPRESSOR; SCROLL, ALLIANCE, SXA042B7BPZ, 3.5 TON, 575V/60/1, R-410A, 7/8 SUCTION, 1/2 DISCHARGE, STUB TUBE
COR00006	5	1	CORE; VALVE PORT, .79 LENGTH, .206-36 UNS 2A THD
VAL01483	5	1	VALVE; BODY, .44-20 THD X .25 ODS, STRAIGHT, BRASS, LESS CORE
ANG01323	6	1	ANGLE; TOGGLE LOCK, 41.93 X 1.80
DHY01511	7	1	DRIER; FILTER, LIQUID LINE, 5/16 ODM INLET X 5/16 ODF OUTLET, 8 CU INCH
CNL01178	9	1	CHANNEL; INDOOR COIL SUPPORT, 42 INCH LENGTH
RAL00873	10	1	RAIL; BASE, 69.8 X 44.2 (3 SIDES,U SHAPED)
RAL00874	11	1	RAIL; END, 44.0 LENGTH
COL25998	13	1	COIL; ASSEMBLY; INDOOR COIL, MC
VAL12334	14	1	VALVE; EXPANSION; TR6 4T
PAN03947	15	1	PAN; DRAIN, CONDENSATE REMOVAL, 39.47 L, ATTACHES TO BOTTOM OF THE ID COIL
CAP00072	16	1	CAP; VALVE, SEAL, .25 FFL
SET00819	16	1	SEAT; SADDLE MOUNT ASSEMBLY
STM00803	16	1	STEM; SADDLE MOUNT, VALVE CORE, BRASS, .344 DIA X 1.29 SCHRAEDER TYPE FITTING (TO INCLUDE 5 PIECES)
SWT03623	17	1	SWITCH; LOW PRESSURE CUTOUT, 250 OPEN, ACTUATION PRESSURE 55 +/- 5, RESET PRESSURE 35 +/- 5
WIR04406	17	1	WIRE; HARNESS, LOW PRESSURE SWITCH, 42 IN LENGTH, BLUE WIRES, CIR 1
THT02805	18	1	THERMOSTAT; WITH CLIP, .5/ .625 TUBE, 38 IN, BLACK WIRES, SPST, 230F OPEN, 180F CLOSE
CAP00072	19	1	CAP; VALVE, SEAL, .25 FFL
SET00819	19	1	SEAT; SADDLE MOUNT ASSEMBLY
STM00803	19	1	STEM; SADDLE MOUNT, VALVE CORE, BRASS, .344 DIA X 1.29 SCHRAEDER TYPE FITTING (TO INCLUDE 5 PIECES)
SWT03398	20	1	SWITCH; HIGH PRESSURE, BRAZED, OPENS AT 650 PSIG, CLOSES AT 550 PSIG, 36 INCH WHITE LEADS
CLP01257	22	4	CLIP; 16.0MM MC MOUNTING (QTY 4)

BURNER

75010605

REV.
A

TYPICAL ILLUSTRATION



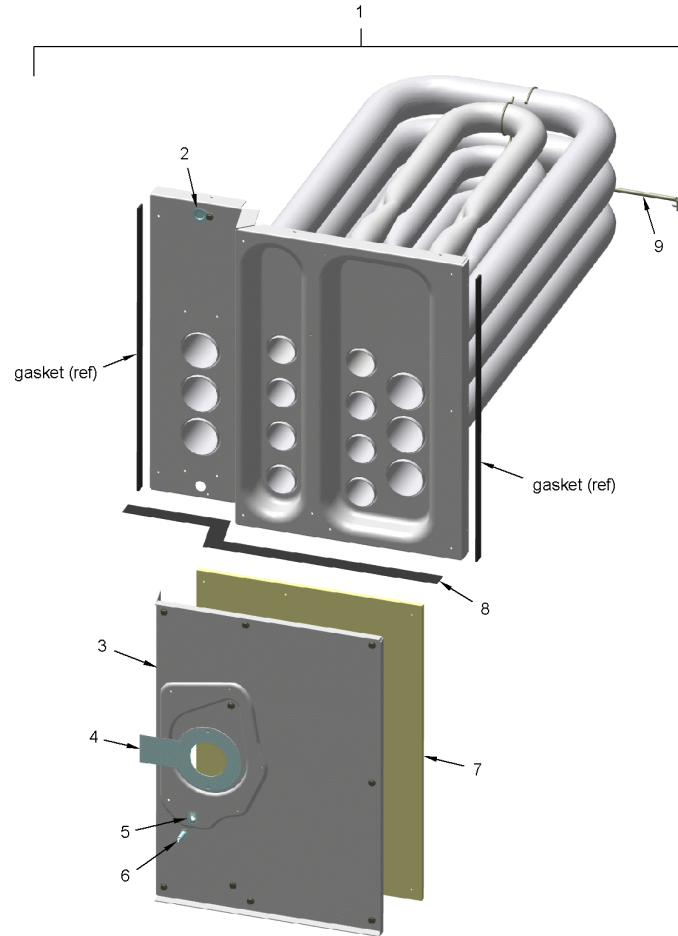
Part No.	Reference No.	Quantity	Description
SWT02649	*	1	SWITCH; FLAME ROLLOUT, 240F, OPENS ON TEMP RISE, MANUAL RESET, SPST, 25A/240V QC TERMINAL
WIR08872	*	1	WIRE; HARNESS, GAS VALVE ADAPTER, BR,BL,BR WIRES, 5 INCH LENGTH, 3 PIN CONNECTOR
SEN00297	1	1	SENSOR; FLAME
BRK04323	2	1	BRACKET; IGNITOR AND FLAME SENSOR, 12.6 X 1.1
IGN00114	3	1	IGNITOR; ELECTRODE, 57 IN LEAD
CNT04977	4	1	CONTROL; BI-METAL DISC LIMIT; 150F OPEN, AUTO RESET, SPST, NC, 120/240V, 125VA, PILOT DUTY, 18 AWG, - GREEN/ORANGE WIRE
DUC01535	5	1	DUCT; FLUE EXHAUST, MANDREL, 2.25 INCH
GRD01506	6	1	GUARD; GAS HEAT EXHAUST, 6 X 6 WIRE MESH SCREEN, 2.28 ID
ELL00030	7	1	ELBOW; .75, 90 DEG ST, 150# MI
VAL08750	8	1	VALVE; GAS, NATURAL, 2 STAGE, 24 VAC, 50/60 HZ, .4 AMP REDUNDANT, INLET OUTLET 3/4 X 3/4-14 NPT, MAX OP PRESSURE .5 PSIG
MFD00996	9	1	MANIFOLD; GAS, 3/4/X 4 BURNER
TUB08299	10	1	TUBE; CONNECTING PRESSURE SW 3/16 IN. ID X 11.00 IN. LENGTH
CNT03666	11	1	CONTROL; DIFFERENTIAL PRESSURE SWITCH, ROTATED 180 DEG, SPST, SNAP ACTING CONTACTS, NO, 5 AMP RESISTIVE AT 24 VAC
BLW01461	12	1	BLOWER; 2 SP INDUCER, SMALL HOUSING
GKT03850	13	1	GASKET; COMBUSTION BLOWER
ORF01407	14	4	ORIFICE; GAS, .1100 DIA, # 35 DRILL, SPUD
BNR01071	15	4	BURNER; 0.60 ID INSHOT BURNER, 0.036 THK 304 STAINLESS STEEL
BRK04319	16	1	BRACKET; GAS 4-BURNER SUPPORT, 8.50 X 2.53 X 12.41

HEAT EXCHANGER

75012465

RP
A

All parts are included with #1, except the TCO1 Plug #2.



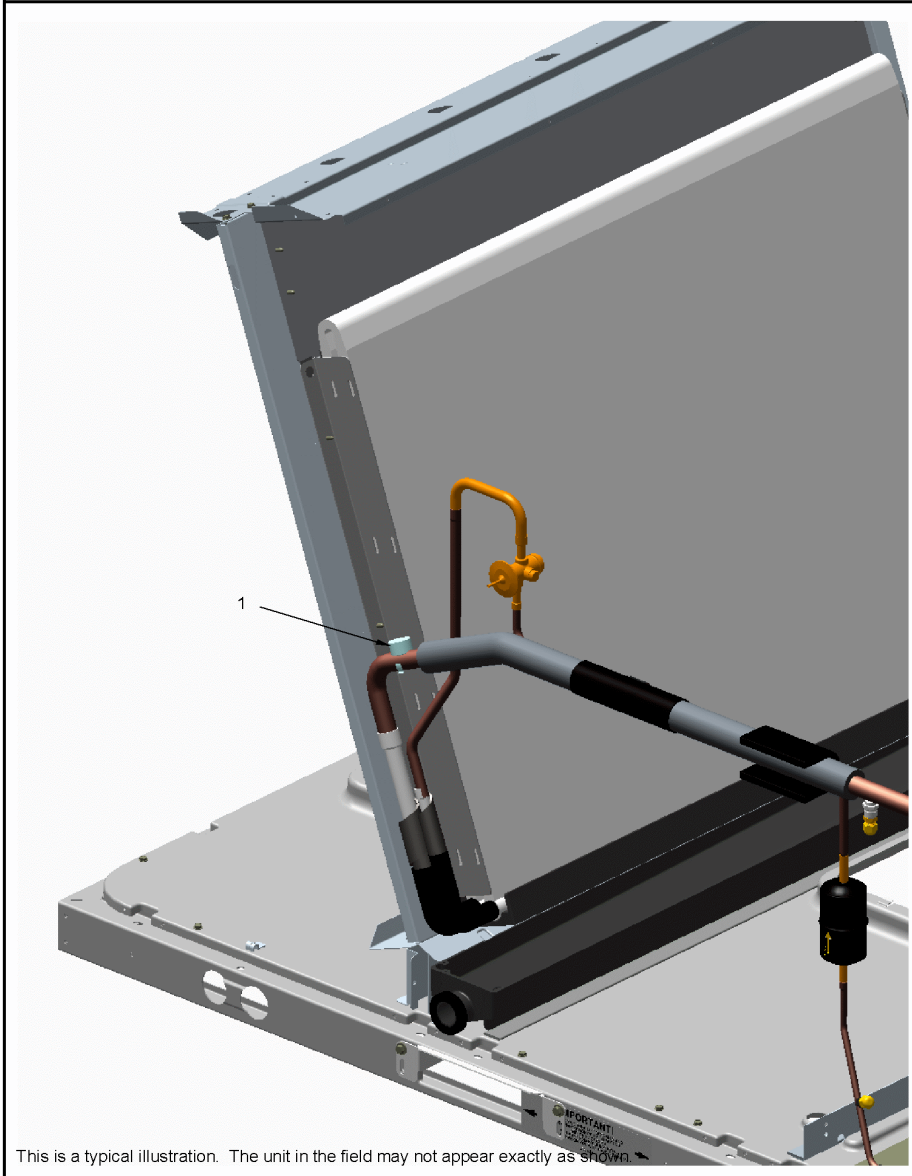
This is a typical illustration. The unit in the field may not appear exactly as shown.

Part No.	Reference No.	Quantity	Description
DIF00361	*	1	DIFFUSER; HEAT EXCHANGER, 14.50 X 3.90
EXC02823	1	1	EXCHANGER; HEAT; 130MBH, 2 STAGE, ALUMINUM
PLU01294	2	1	PLUG; GAS HEAT TC01
PNL33402	3	1	PANEL; COLLECTOR COVER
ORF01416	4	1	ORIFICE; AIR, 1.844 DIA, ALUMINUM
WEL00848	5	1	WELL; BULB, TAP, STATIC, 1.0 LENGTH X 0.50 OD X 0.281 OD X 0.125 ID
CLP00942	6	1	CLIP; STATIC, RETAINER, .80 X .56 X .022
INS03524	7	1	INSULATION; HEAT EXCHANGER
GKT03851	8	1	GASKET; VESTIBULE, 17.69 X .25 THICK
ROD01125	9	1	ROD; SUPPORT, 18 IN

FROSTAT

75011215

REV.
A



Part No.	Reference No.	Quantity	Description
CNT07569	1	1	CONTROL; DEFROST, SPDT, 3

Parts List Number :YSCUP9

Model Number :YSC048GWEHB0000

Part No.	Reference No.	Quantity	Description
BAYABRD001C	*	1	KIT; ACCESSORY, OPTIONS BOARD (BAYABRD001CA)
BAYBARM010A	*	1	DAMPER; BAROMETRIC RELIEF (BAYBARM010AB)
BAYBCIR001A	*	1	KIT; FIELD INSTALLED BCI (BAYBCIR001A)
BAYCURB042A	*	1	CURB; ROOFCURB (BAYCURB042AB)
BAYDFPS004A	*	1	KIT; FAN FAILURE SWITCH (BAYDFPS004AB). (OPTIONS BOARD KIT09433-BAYABRD001CA MUST BE INSTALLED IN THE UNIT FOR THIS ACCESSORY TO OPERATE).
BAYDMPR052B	*	1	DAMPER; 0-50 PERCENT MOTORIZED OUTSIDE AIR DAMPER, ELECTROMECHANICAL (BAYDMPR052B)
BAYDMPR053B	*	1	DAMPER; 0-50% MANUAL OUTSIDE AIR DAMPER (BAYDMPR053BA)
BAYECON086B	*	1	ACCESSORY; 0-100% DRY BULB ECONOMIZER; WITHOUT BAROMETRIC RELIEF
BAYENTH001A	*	1	KIT; ENTHALPY CONTROL (BAYENTH001AB)
BAYGARD137A	*	1	ACCY; PRECEDENT HAIL GUARD
BAYHAKT011B	*	1	KIT; ACCESSORY, HIGH ALTITUDE G 2-STAGE
BAYLMSW001A	*	1	POWER EXHAUST LIMIT SWITCH
BAYLPKT029D	*	1	KIT; ACCESSORY, LP CONVERSION 2-STAGE
BAYPWRX072A	*	1	POWER EXHAUST, 575V, FOR 3-5 TON T/W/YSC & D/TW/YHC
BAYQACB009A	*	1	CURB; ADAPTA CURB (BAYQACB009AA), TRANSITIONS BAYCURB021B, 78.125 X 43.875
BAYQACB010A	*	1	CURB; ADAPTA CURB (BAYQACB010AA), TRANSITIONS BAYCURB022B, 77.625 X 46.875
BAYSTAT152A	*	1	THERMOSTAT; PROGRAMABLE TOUCH SCREEN 3H/2C
BAYTUBE104A	*	1	KIT; DISCHARGE AIR SENSING, GAS HEAT, F CAB
KIT17430	*	1	KIT17430; TD5 DISPLAY UPGRADE PRECEDENT LIGHT COMMERCIAL
SEN00435	*	1	SENSOR; ZONE LEVEL 4 (BAYSENS017BB) REMOTE ROOM SENSOR
SEN00495	*	1	SENSOR; ZONE LEVEL 4 (BAYSENS013CA) ROOM SENSOR W/ OVERRIDE AND CANCEL BUTTONS
SEN00496	*	1	SENSOR; ZONE LEVEL 4 (TRANE). (BAYSENS014CA) ROOM SENSOR W/ TEMP. ADJUSTMENT WITH OVERRIDE AND CANCEL BUTTONS
SEN01287	*	1	SENSOR; 6" THERM DUCT/IMM TEMPERATURE (BAYSTAT170A)
SEN01448	*	1	SENSOR; ZONE, REMOTE ROOM SENSOR, 10K (BAYSENS077AA)
THT02773	*	1	THERMOSTAT; WALL MOUNT, NON-PROGRAMMABLE 3H/2C (BAYSTAT155A)
THT02774	*	1	THERMOSTAT; WALL MOUNT, PROGRAMMABLE 3H/2C, (BAYSTAT150AA)
TMR00140	*	1	TIMER; ANTISHORT CYCLE (BAYASCT001)

MODEL NUMBER NOTES

75011257

REV.
A

Precedent Cooling and Gas/Electric

Example Model Number:

YSC063G4RHA0AG0C1C2B203DHC100F1
1 - - - 5 - - - 10 - - - 15 - - - 20 - - - 25 - - - 30 -

Model Number Notes

- (1) Manual outside air damper will ship factory supplied within the unit, but must be field installed.
- (2) Economizer with Barometric Relief is for downflow configured units only. Order Economizer without Barometric Relief for horizontal configuration. Barometric Relief for horizontal configured units must be ordered as a field installed accessory.
- (3) Not available with Electromechanical controls.
- (4) Epoxy coil and epoxy with hailguard option not available for units with microchannel Coils.
- (5) Through the base electric required when ordering disconnect/circuit breaker options.
- (6) Includes gas piping and shutoff (field assembly required). *Digits 18=B,C applicable to Digit 1,Y models only.*
- (7) Requires use of Disconnect or Circuit Breaker.
- (8) Standard metering devices are TXVs.
- (9) High pressure control is standard on all units
- (10) Frostat™ cannot be field installed in electromechanical units. Frostat™ is standard on Y/TSC033 to 063G electromechanical units.
- (11) Not available with high temperature duct sensor accessory.
- (12) The return air smoke detector may not fit up or work properly on the Precedent units when used in conjunction with 3rd party accessories such as bolt on heat wheels, economizers and power exhaust. Do not order the return air smoke detectors when using this type of accessory.
- (13) Return air smoke detector cannot be ordered with Novar controls.
- (14) The Clogged Filter Switch, Fan Failure Switch and Discharge Air Sensing Tube are standard when ordering Novar controls.
- (15) The Clogged Filter Switch, Fan Failure Switch and Discharge Air Sensing Tube are ordering Novar controls.
- (16) Novar sensor utilized with 21=(4) Novar 3051 controls without zone sensor.
- (17) Demand Control Ventilation Option includes wiring only. The CO₂ sensor is a field-installed only option.

MODEL NUMBER DESCRIPTION

75011256

REL
A

Precedent Cooling and Gas/Electric

Example Model Number:

YSC063G4RHA0AG0C1C1B203DHC100F1

1 - - - 5 - - - 10 - - - 15 - - - 20 - - - 25 - - - 30 -

Digit 18 – Through the Base Provisions

- 0 = No Through-the-Base Provisions
- A = Through-the-Base Electric (5)
- B = Through-the-Base Gas Piping (6)
- C = Through-the-Base Electric and Gas Piping (6)

Digit 19 – Disconnect/Circuit Breaker

- 0 = No Disconnect/No Circuit Breaker
- 1 = Unit Mounted Non-Fused Disconnect (5)
- 2 = Unit Mounted Circuit Breaker (5)

Digit 20 – Convenience Outlet

- 0 = Convenience Outlet
- A = Unpowered Convenience Outlet
- B = Powered Convenience Outlet (7)

Digit 21 – Communications Options (3)

- 0 = No Communications Interface
- 1 = Trane® Communications Interface
- 2 = LonTalk® Communications Interface
- 3 = Novar 2024 Controls
- 4 = Novar 3051 Controls without Zone Sensor
- 5 = Novar 3051 Controls Interface with DCV
- 6 = BACnet® Communications Interface
- 7 = Wireless Building Automation Control Network Communications Interface

Digit 22 – Refrigeration System Option

- 0 = Standard Refrigeration System (8)

Digit 23 – Refrigeration Controls

- 0 = Without Refrigeration Controls (9)
- 1 = Frostat™ (10)
- 2 = Crankcase Heater
- 3 = Frostat™ (10) and Crankcase Heater

Digit 24 – Smoke Detector (11)

- 0 = No Smoke Detector
- A = Return Air Smoke Detector (12,13)
- B = Supply Air Smoke Detector
- C = Supply and Return Air Smoke Detectors (12,13)
- D = Plenum Smoke Detector

Digit 25 – System Monitoring Controls (14)

- 0 = No Monitoring System
- 1 = Clogged Filter Switch
- 2 = Fan Failure Switch
- 3 = Discharge Air Sensing Tube
- 4 = Clogged Filter Switch and Fan Failure Switch
- 5 = Clogged Filter Switch and Discharge Air Sensing Tube
- 6 = Fan Failure Switch and Discharge Air Sensing Tube
- 7 = Clogged Filter Switch, Fan Failure Switch and Discharge Air Sensing Tube
- 8 = Novar Return Air Sensor (NOVAR 2024) (15)
- 9 = Novar Zone Temp Sensor (NOVAR 3051) (16)
- A = Condensate Drain Pan Overflow Switch
- B = Clogged Filter Switch and Condensate Drain Pan Overflow Switch
- C = Fan Failure Switch and Condensate Drain Pan Overflow Switch
- D = Discharge Air Sensing and Condensate Drain Pan Overflow Switch
- E = Clogged Filter Switch, Fan Failure Switch, and Condensate Drain Pan Overflow Switch
- F = Clogged Filter Switch, Discharge Air Sensing, and Condensate Drain Pan Overflow Switch
- G = Fan Failure Switch, Discharge Air Sensing and Condensate Drain Pan Overflow Switch
- H = Clogged Filter Switch, Fan Failure Switch, Discharge Air Sensing, and Condensate Drain Pan Overflow Switch

Digit 26 – System Monitoring Controls

- 0 = No Monitoring Controls
- A = Demand Control Ventilation (CO₂) (17)
- B = Low Leak Economizer with FDD (Fault Detection & Diagnostics)
- C = FDD (Fault Detection & Diagnostics) with DCV (Demand Control Ventilation)

Digits 27 – Unit Hardware Enhancements

- 0 = No Enhancements
- 1 = Stainless Steel Drain Pan

Digit 31 – Advanced Unit Controls

- 0 = Standard Unit Controls
- 1 = Human Interface

MODEL NUMBER DESCRIPTION		75011255	<small>RP</small> A
Precedent Cooling and Gas/Electric			
<i>Example Model Number:</i> YSC063G4RHA0AG0C1C2B203DHC100F1 <small>1 - - - - 5 - - - - 10 - - - - 15 - - - - 20 - - - - 25 - - - - 30 -</small>			
Digit 1 – Unit Type T = DX Cooling Y = DX Cooling, Gas Heat	Digit 11 – Minor Design Sequence A = First Sequence	Digits 12, 13 – Service Sequence ** = Factory Assigned	
Digit 2 – Efficiency S = Standard Efficiency	Digit 14 – Fresh Air Selection 0 = No Fresh Air A = Manual Outside Air Damper 0-50% (1) B = Motorized Outside Air Damper 0-50% C = Economizer, Dry Bulb 0-100% without Barometric Relief (2) D = Economizer, Dry Bulb 0-100% with Barometric Relief (2) E = Economizer, Reference Enthalpy 0-100% without Barometric Relief (2,3) F = Economizer, Reference Enthalpy 0-100% with Barometric Relief (2,3) G = Economizer, Comparative Enthalpy 0-100% without Barometric Relief (2,3) H = Economizer, Comparative Enthalpy 0-100% with Barometric Relief (2,3) K = Low Leak Economizer with Barometric Relief M = Low Leak Economizer with Reference Enthalpy with Barometric Relief P = Low Leak Economizer with Comparative Enthalpy with Barometric Relief		
Digit 3 – Airflow C = Convertible	Digit 7 – Major Design Sequence G = Microchannel Type Evaporator and Condenser Coils	Digits 15 – Supply Fan/Drive Type/Motor 0 = Multi Speed Direct Drive Motor 1 = Oversized Motor	
Digits 4,5,6 – Nominal Gross Cooling Capacity (MBh) 033 = 3 Ton (13 SEER) 036 = 3 Ton 043 = 4 Ton (13 SEER) 048 = 4 Ton 060 = 5 Ton 063 = 5 Ton (13 SEER)	Digit 8 – Voltage Selection 3 = 208-230/60/3 4 = 460/60/3 W = 575/60/3	Digit 16 – Hinged Service Access/Filters 0 = Standard Panels/Standard Filters A = Hinged Access Panels/Standard Filters B = Standard Panels/2" MERV 8 Filters C = Hinged Access Panels/2" MERV 8 Filters D = Standard Panels/2" MERV 13 Filters E = Hinged Access Panels/2" MERV 13 Filters	
Digit 9 – Unit Controls E = Electromechanical R = ReliaTel™ Microprocessor	Digit 10 – Heating Capacity 0 = No Electric Heat B = 6 kW (3 phase) E = 12 kW (3 phase) G = 18 kW (3 phase) J = 23 W (3 phase) L = Low Heat M = Medium Heat H = High Heat X = Low Heat, Stainless Steel Heat Exchanger Y = Medium Heat, Stainless Steel Heat Exchanger Z = High Heat, Stainless Steel Heat Exchanger	Digit 17 – Condenser Coil Protection (4) 0 = Standard Coil 1 = Standard Coil with Hail Guard 4 = CompleteCoat Condenser Coil 5 = CompleteCoat Condenser Coil with Hail Guard	

