

Part No.	Reference No.	Quantity	Description
75000903#YCDUP452~S	*		BURNER PLATE ASSEMBLY
75007352#YCDUP452~S	*		CONDENSER FAN AND ORIFICE ASSEMBLY
75007359#YCDUP452~S	*		CONTROL PANEL ASSEMBLY
75009600#YCDUP452~S	*		CONTROL PANEL ASSEMBLY
75008230#YCDUP452~S	*		ECONOMIZER ASSEMBLY
75003125#YCDUP452~S	*		EVAPORATOR COIL ASSEMBLY
75000904#YCDUP452~S	*		EVAPORATOR FAN ASSEMBLY
75003112#YCDUP452~S	*		GENERAL ASSEMBLY VIEW 1
75003113#YCDUP452~S	*		GENERAL ASSEMBLY VIEW 2
75007362#YCDUP452~S	*		HEAT EXCHANGER ASSEMBLY
75008234#YCDUP452~S	*		MODEL NUMBER NOMENCLATURE
75012144#YCDUP452~S	*		OPTIONAL FIELD INSTALLED ACCESSORIES
YCD00444_YCDUP452_147751~ P	*		YCDUP452 PARTS LIST

NO GRAPHIC AVAILABLE

75013702

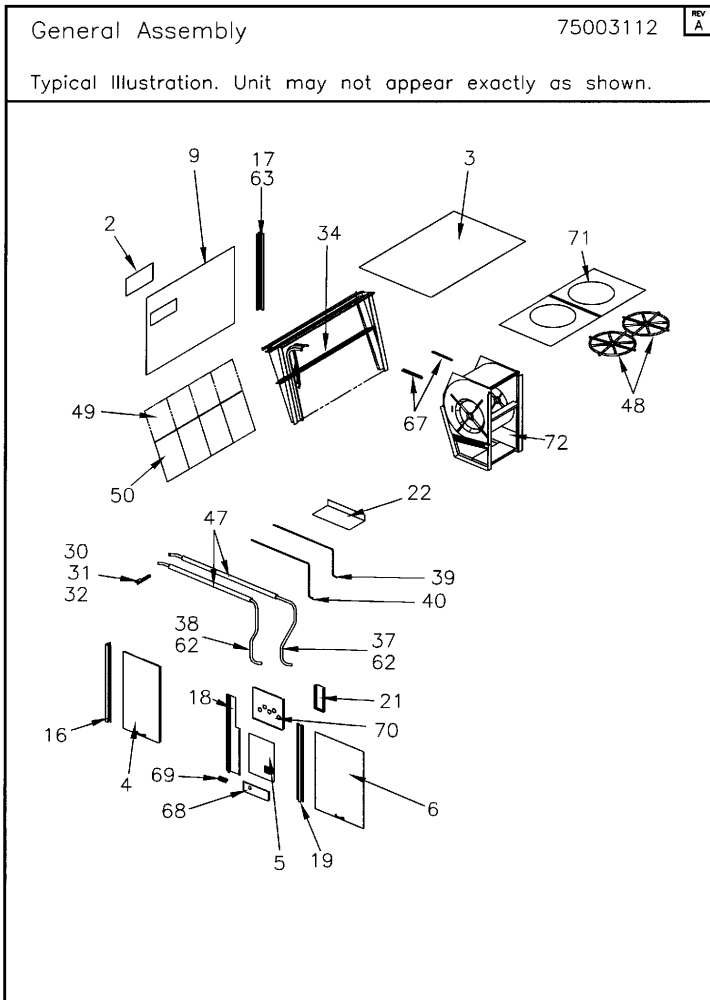
REV  
A

**NO  
GRAPHIC  
AVAILABLE**

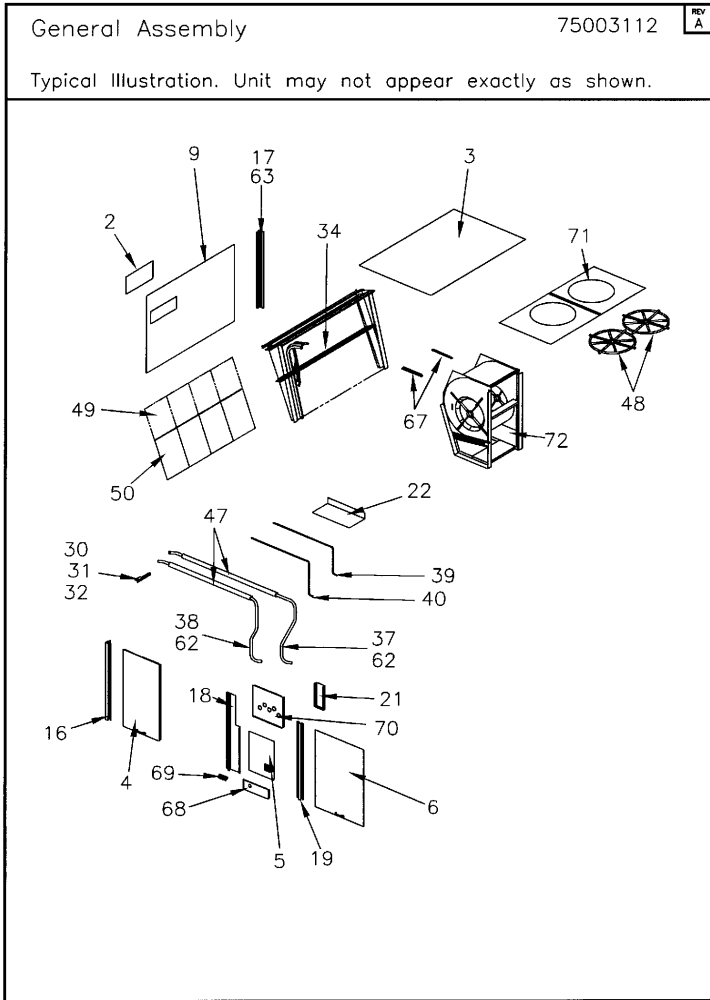
MODEL NUMBER DESCRIPTION											75008234	REV E	
Y	C	D	0	9	0	A	3	L	0	A	A		
1	2	3	4	5	6	7	8	9	10	11	12		
<p>Digits 1,2            Product Type            YC = Packaged Gas/Electric            TC = Packaged Cooling            WC = Packaged Heat Pump</p>						<p>Digit 8 Voltage Selection            3 = 208-230/60/3            4 = 460/60/3            D = 380-415/50/3            K = 380/60/3            W = 575/60/3            T = 200/50/3</p>							
<p>Digit 3            Airflow Configuration            D = Downflow            H = Horizontal</p>						<p>Digit 9 Heating Capacity            O = No Heat            L = Low Gas Heat            H = High Gas Heat            V = Modulating Gas Heat            B = Low with Multi Speed ID Fan            C = High with Multi Speed ID Fan            D = Modulating with Multi Speed ID Fan            G = Low with single zone VAV            J = High with single zone VAV            K = Modulating with single zone VAV</p>							
<p>Digits 4,5,6            Nominal Gross Cooling Capacity(MBh)            085 = 8 1/2 Tons 50 Hz            100 = 10 Tons 50 Hz            102 = 8 1/2 Tons (STD)            103 = 8 1/2 Tons (High Efficiency)            120 = 10 Tons (STD)            121 = 10 Tons (High Efficiency)            125 = 12 1/2 Ton 50 Hz            126 = 10 Ton Gemini            150 = 12 1/2 Tons (STD)            151 = 12 1/2 Tons (High Efficiency)            155 = 15 Ton 50 Hz            175 = 17 1/2 Ton 50 Hz            180 = 15 Tons (STD)            181 = 15 Tons (High Efficiency)            200 = 20 Tons 50 Hz            210 = 17 1/2 Tons (STD)            211 = 17 1/2 Tons (High Efficiency)            240 = 20 Tons (STD)            241 = 20 Tons (High Efficiency)            250 = 25 Ton 50 Hz            300 = 25 Tons (STD)            301 = 25 Tons (High Efficiency)</p>						<p>Digit 10 Factory Installed Options            O = No Options            A = Downflow Economizer            B = Oversized Motor            C = Downflow Economizer and Oversized Motor            F = Factory Installed TCI            G = TCI with Economizer            H = TXV Face-Split Evaporator            J = Oversized Motor and TXV/Face Split Evaporator            K = Downflow Economizer, Oversized Motor and TXV/Face Split Evaporator            L = Downflow Economizer with TXV Face Split Evaporator            M = Reheat Coil            N = Downflow Economizer, Reheat Coil            P = Oversized Motor, Reheat Coil            R = Downflow Economizer, Oversized Motor and Reheat Coil</p>							
<p>Digit 7            Major Development Sequence</p>						<p>Digit 11 Minor Design Sequence</p>							
						<p>Digit 12 Service Digit</p>							

Part No.	Reference No.	Quantity	Description
75008234_YCDUP452_147778-P	*		MODEL NUMBER NOMENCLATURE PARTS LIST

MODEL NUMBER DESCRIPTION											75008234	REV E	
Y	C	D	0	9	0	A	3	L	0	A	A		
1	2	3	4	5	6	7	8	9	10	11	12		
<p>Digits 1,2 Product Type YC = Packaged Gas/Electric TC = Packaged Cooling WC = Packaged Heat Pump</p>						<p>Digit 8 Voltage Selection 3 = 208-230/60/3 4 = 460/60/3 D = 380-415/50/3 K = 380/60/3 W = 575/60/3 T = 200/50/3</p>							
<p>Digit 3 Airflow Configuration D = Downflow H = Horizontal</p>						<p>Digit 9 Heating Capacity O = No Heat L = Low Gas Heat H = High Gas Heat V = Modulating Gas Heat B = Low with Multi Speed ID Fan C = High with Multi Speed ID Fan D = Modulating with Multi Speed ID Fan G = Low with single zone VAV J = High with single zone VAV K = Modulating with single zone VAV</p>							
<p>Digits 4,5,6 Nominal Gross Cooling Capacity(MBh) 085 = 8 1/2 Tons 50 Hz 100 = 10 Tons 50 Hz 102 = 8 1/2 Tons (STD) 103 = 8 1/2 Tons (High Efficiency) 120 = 10 Tons (STD) 121 = 10 Tons (High Efficiency) 125 = 12 1/2 Ton 50 Hz 126 = 10 Ton Gemini 150 = 12 1/2 Tons (STD) 151 = 12 1/2 Tons (High Efficiency) 155 = 15 Ton 50 Hz 175 = 17 1/2 Ton 50 Hz 180 = 15 Tons (STD) 181 = 15 Tons (High Efficiency) 200 = 20 Tons 50 Hz 210 = 17 1/2 Tons (STD) 211 = 17 1/2 Tons (High Efficiency) 240 = 20 Tons (STD) 241 = 20 Tons (High Efficiency) 250 = 25 Ton 50 Hz 300 = 25 Tons (STD) 301 = 25 Tons (High Efficiency)</p>						<p>Digit 10 Factory Installed Options O = No Options A = Downflow Economizer B = Oversized Motor C = Downflow Economizer and Oversized Motor F = Factory Installed TCI G = TCI with Economizer H = TXV Face-Split Evaporator J = Oversized Motor and TXV/Face Split Evaporator K = Downflow Economizer, Oversized Motor and TXV/Face Split Evaporator L = Downflow Economizer with TXV Face Split Evaporator M = Reheat Coil N = Downflow Economizer, Reheat Coil P = Oversized Motor, Reheat Coil R = Downflow Economizer, Oversized Motor and Reheat Coil</p>							
<p>Digit 7 Major Development Sequence</p>						<p>Digit 11 Minor Design Sequence</p>							
						<p>Digit 12 Service Digit</p>							



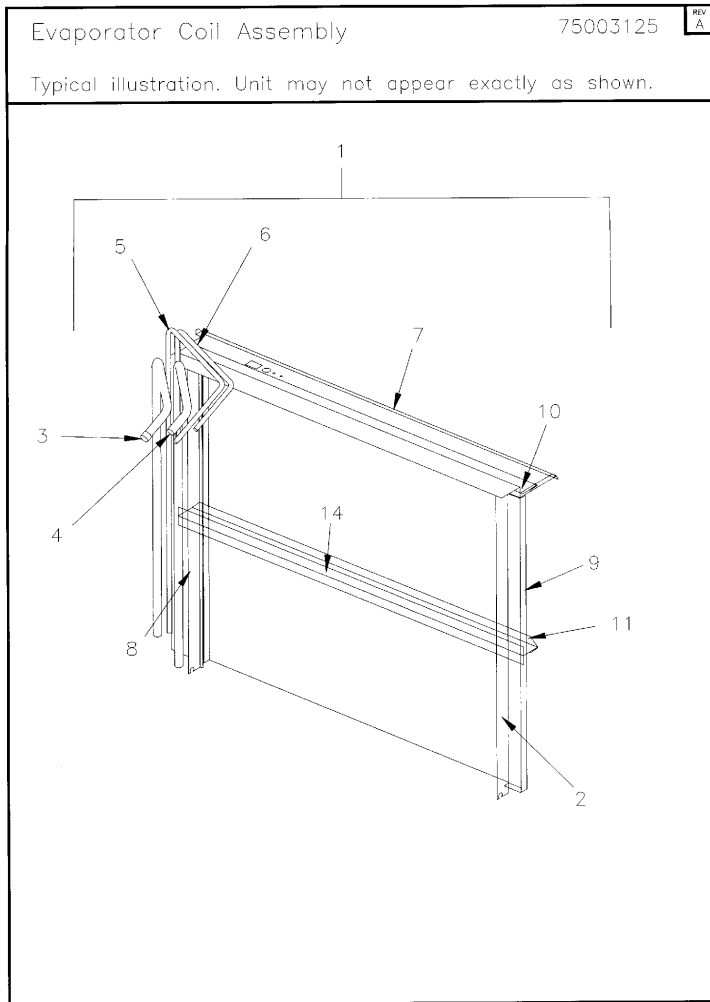
<b>Part No.</b>	<b>Reference No.</b>	<b>Quantity</b>	<b>Description</b>
75007352#YCDUP452~S	*		CONDENSER FAN & ORIFICE ASSEMBLY
75000904#YCDUP452~S	*		EVAPORATOR FAN ASSEMBLY
75003125#YCDUP452~S	*		EVAPORATOR FAN SECTION
75003112_YCDUP452_147762~P	*		GENERAL ASSEMBLY VIEW 1 PARTS LIST
75007362#YCDUP452~S	*		HEAT EXCHANGER ASSEMBLY



Part No.	Reference No.	Quantity	Description
ANG00927	*	1	ANGLE; BOTTOM COIL SUPPORT
CMP00089	*	1	CLAMP; CONDUIT, RIGID, .50 NOM, 1 HOLE MTG, STL
COV01378	*	1	COVER, HEAT SECTION TOP ASSEMBLY
GRM00271	*	1	GROMMET; .90 ID X .06 GROOVE
PAI00077	*	0	PAINT; SLATE GREY (SHIPPING UOM 1 GAL HAZ)
PAI00086	*	0	PAINT; SPRAY, SLATE GREY, MID GLOSS(60) (SHIPPING UOM 12 OZ HAZ)
RIV00009	*	2	RIVET; 3/16', ALUMINUM, BLIND AD64BS
COV01353	2	1	COVER, MANUAL FRESH AIR, 24.42 X 11.71
COV01377	3	1	COVER, EVAPORATOR TOP ASSEMBLY
PNN01115	4	1	PANEL; EVAPORATOR, ACCESS, ASSEMBLY
PNN08157	5	1	PANEL, ACCESS HEAT SECTION ASSEMBLY
PNN01118	6	1	PANEL; CONDENSER, SECTION ACCESS
PNN01121	9	1	PANEL; LEFT END, ASSEMBLY
SUP01474	16	1	SUPPORT;CORNER POST FRONT ASSEMBLY
SUP01475	17	1	SUPPORT;CORNER POST REAR ASSEMBLY
SUP02786	18	1	SUPPORT, LEFT HAT SECTION ASSEMBLY
CNL00238	19	1	CHANNEL;HEAT SECTION
COV02222	21	1	COVER; COMBUSTION AIR INTAKE
BOF00388	22	1	BLOCKOFF;HEAT SECTION ASSEMBLY
CNT04959	37	1	CONTROL; LOW PRESSURE, CLOSE ON RISE 41 PSIG, OPEN ON FALL 25 PSIG, 6.0 FLA, 36 LRA AT 120/240 VAC, BLUE LEADS
TUB08943	37	1	TUBE; SUCTION CKT 1
CNT04961	38	1	CONTROL, LOW PRESSURE, 25 OPEN, 41 CLOSE, .25 FFL, 55.00 LEADS WITH 1/4 INSUL., FEMALE QC TERMINAL
TUB08944	38	1	TUBE; SUCTION CKT 2
TUB04925	39	1	TUBE; LIQUID, DRIER TO COLLECTOR
TUB08094	40	1	TUBE; LIQUID (DRIER TO COLLECTOR)
INS00785	47	2	INSULATION; 1.12 ID X .38W X 6FT. LG
GRD00450	48	2	GUARD; FAN, 27.5 DIA
FLR00063	49	4	FILTER; 20X25X2
FLR00099	50	2	FILTER, 20X20X2
VAL01483	62	1	VALVE; BODY, .44-20 THD X .25 ODS, STRAIGHT, BRASS, LESS CORE
INS01168	63	2	INSULATION; 1.0 THK X 3.75 X 3.75
SUP03282	67	2	SUPPORT; FAN AND COIL
PNN08189	68	1	PANEL, ACCESS, HEAT SECTION ASSEMBLY
BRK01996	69	1	BRACKET; LEFT HAT SECTION
PNN05740	70	1	PANEL;EXHAUST ASSEMBLY



Part No.	Reference No.	Quantity	Description
75003125_YCDUP452_147764-P	*		EVAPORATOR FAN SECTION PARTS LIST



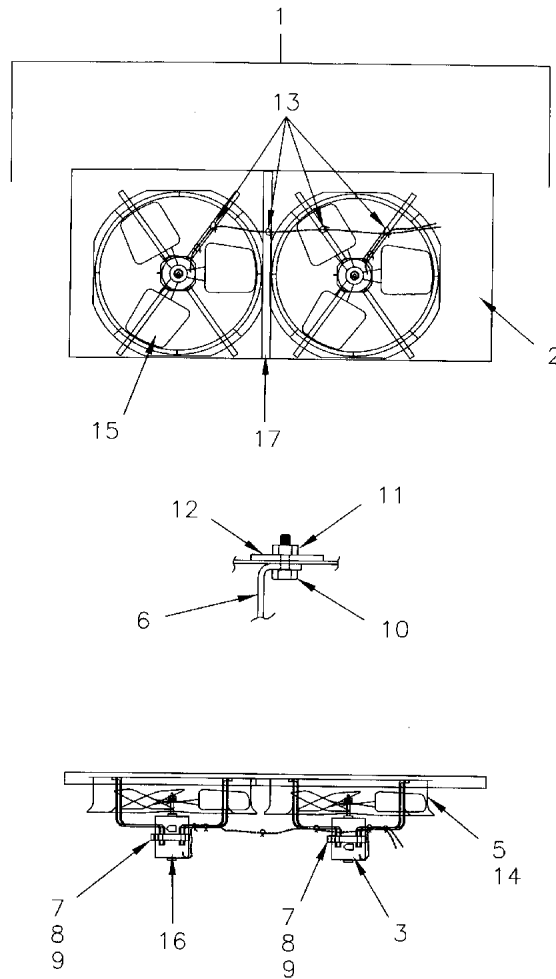
Part No.	Reference No.	Quantity	Description
HDR00870	*	0	HEADER; SHORT ORIFICE CKT 2
HDR00871	*	0	HEADER; SHORT ORIFICE CKT 1
SCR01623	*	0	SCREW; SHEET METAL, 10-16 UNC X 1/2, HIGH TORQUE, INDENT HEX-WASHER HEAD
COL16211	2	1	COIL; INDOOR-WELD ASSEMBLY
TUB08950	3	1	TUBE; SUCTION HEADER ASSEMBLY, CKT 2
TUB08951	4	1	TUBE; SUCTION HEADER ASSEMBLY, CKT 1
TUB10441	5	1	TUBE; SHORT ORIFICE HEADER, CKT 2
TUB10440	6	1	TUBE; SHORT ORIFICE HEADER, CKT 1
BOF01178	7	1	BLOCKOFF; EVAPORATOR COIL TOP
BOF01181	8	1	BLOCKOFF; EVAPORATOR COIL FRONT
BOF01177	9	1	BLOCKOFF; EVAPORATOR COIL REAR
BRK02399	10	1	BRACKET; TOP FILTER RACK
CNL00733	11	2	CHANNEL; FILTER RACK
SEL00383	14	1	SEAL;FOAM TAPE, NEOPRENE CLOSED CELL, 1/4 X 3/4 X 50 FEET

CONDENSER FAN & ORIFICE ASSY.

75007352

REV  
A

Typical illustration. Unit may not appear exactly as shown.



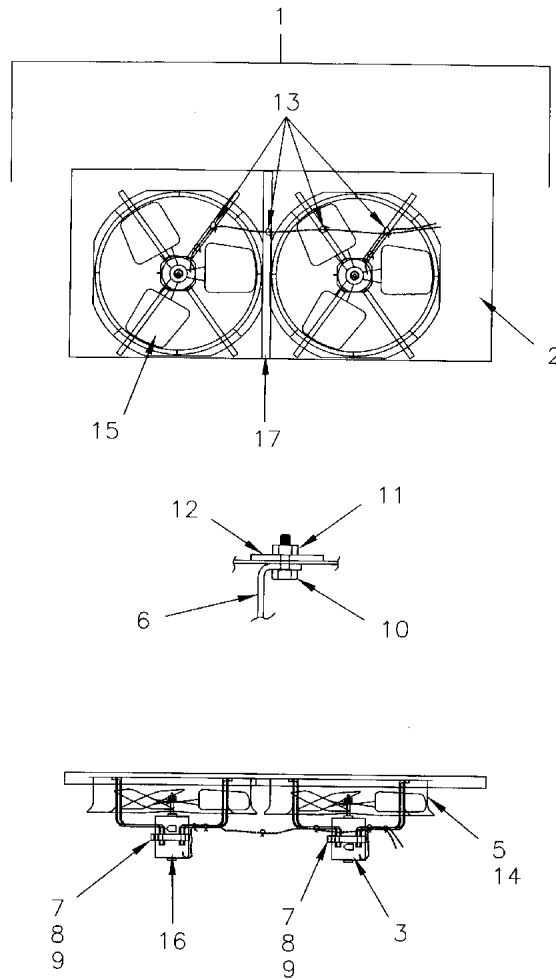
Part No.	Reference No.	Quantity	Description
75007352_YCDUP452_207000~P	*		CONDENSER FAN & ORIFICE ASSEMBLY PARTS LIST

CONDENSER FAN & ORIFICE ASSY.

75007352

REV  
A

Typical illustration. Unit may not appear exactly as shown.



Part No.	Reference No.	Quantity	Description
FAN03423	1	1	FAN; ORIFICE ASSEMBLY, OUTDOOR
COV03436	2	1	COVER; TOP OUTDOOR SECTION
MOT03769	3	1	MOTOR; 1/2 HP, 460/60/1, 1100 RPM, OR 1/3 HP, 380-415/50/1, 925 RPM, TYPE PSC, 48 FRAME, CCW, BALL BEARING, 10 MFD AT 440V
ORF00576	5	1	ORIFICE;CONDENSER FAN
BRK01632	6	8	BRACKET;MOTOR MOUNT, 13.77 LEG
BRK01160	7	1	BRACKET, MOTOR MOUNT
SCR01342	8	2	SCREW; .25-20 X 1.75 HEX MACHINE
NUT00009	9	2	NUT; .25-20, HEX LOCK
SCR01583	10	8	SCREW;HEX CAP,.31-18X.75 HEX CAP,.31-18X.75
NUT00932	11	8	NUT; HEX LOCK, .31-18
WAS00718	12	8	WASHER; .312 ID X 1.75 OD
TIE00028	13	6	TIE; WIRE
SCR01623	14	30	SCREW; SHEET METAL, 10-16 UNC X 1/2, HIGH TORQUE, INDENT HEX-WASHER HEAD
FAN01531	15	1	FAN;3 BLADE,ALUM,26 DIA, 22-25 DEG,.50 BORE,CW
MOT03775	16	1	MOTOR; 1/2 HP, 400-460/50-60/1, 1100/925 RPM, CCW, 48 FRAME, BALL BEARING, 10 MFD CPT AT 440V
SUP02788	17	1	SUPPORT, ANGLE

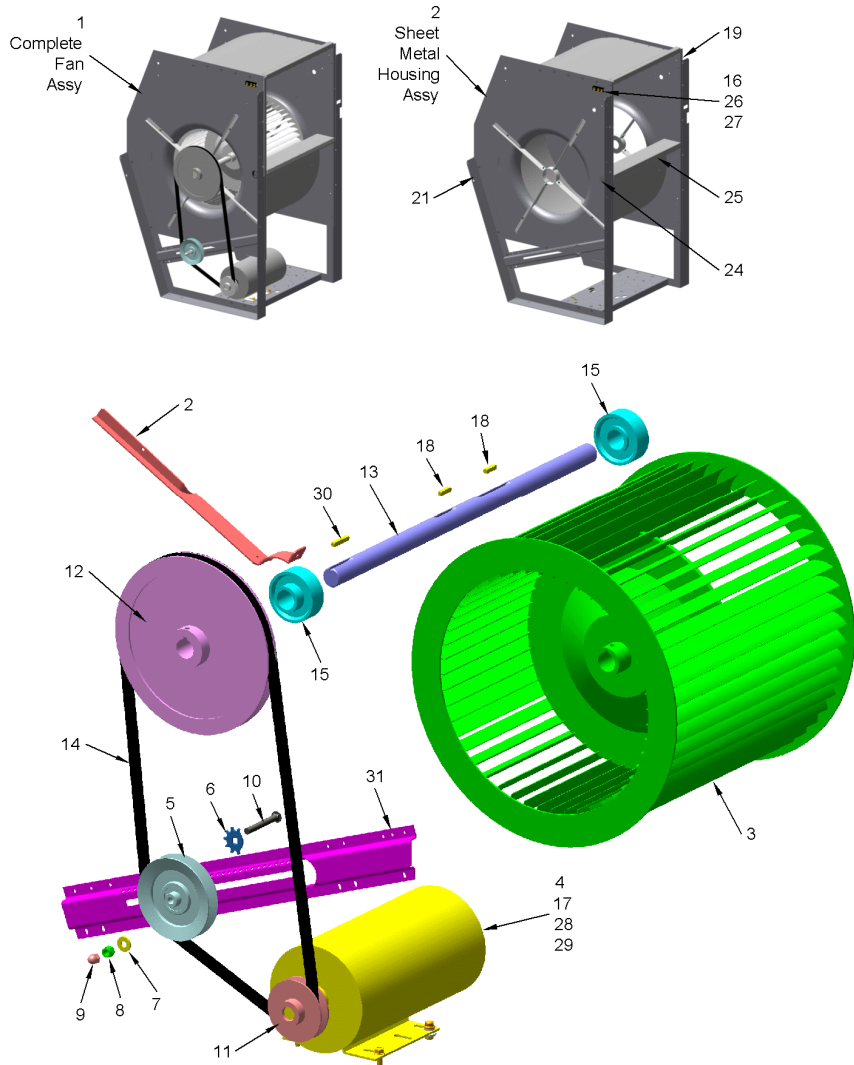


Part No.	Reference No.	Quantity	Description
75000904_YCDUP452_221682~P	*		EVAPORATOR FAN ASSEMBLY PARTS LIST

EVAPORATOR FAN ASSEMBLY

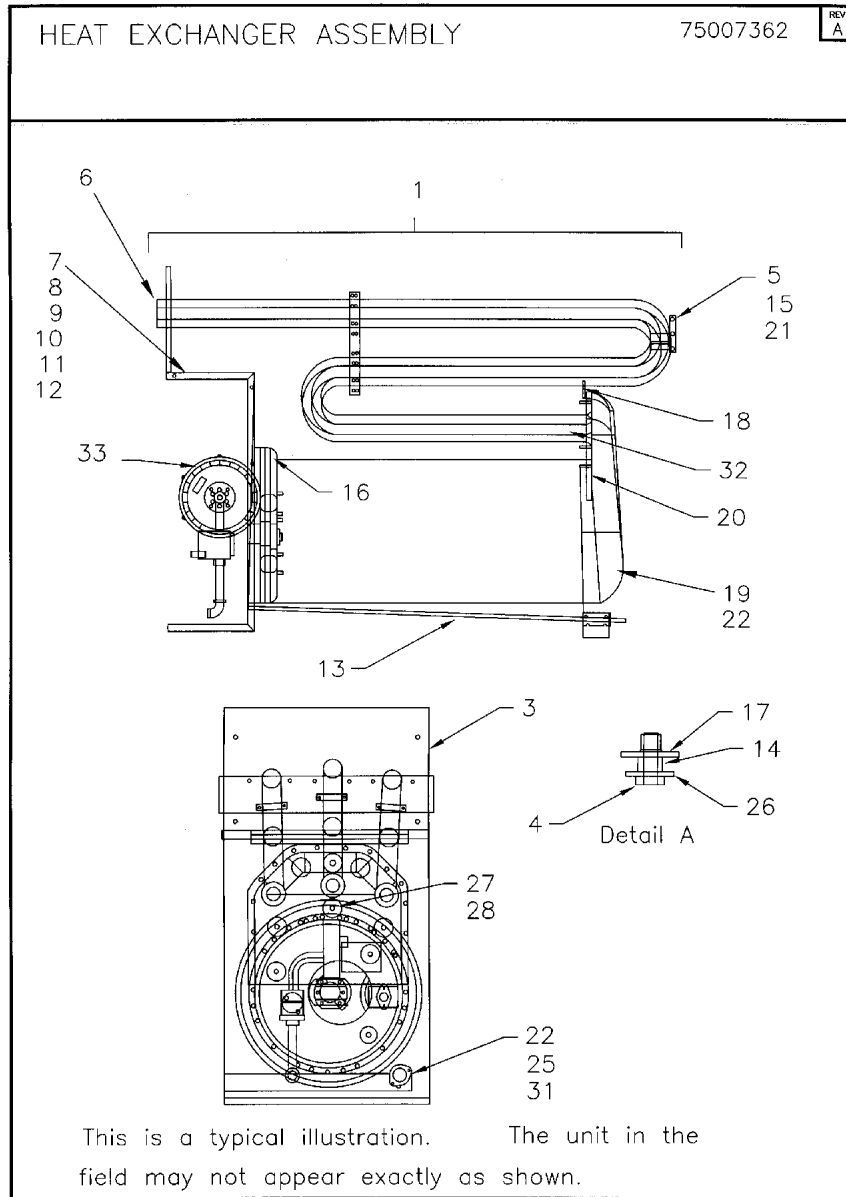
75000904

REV  
B

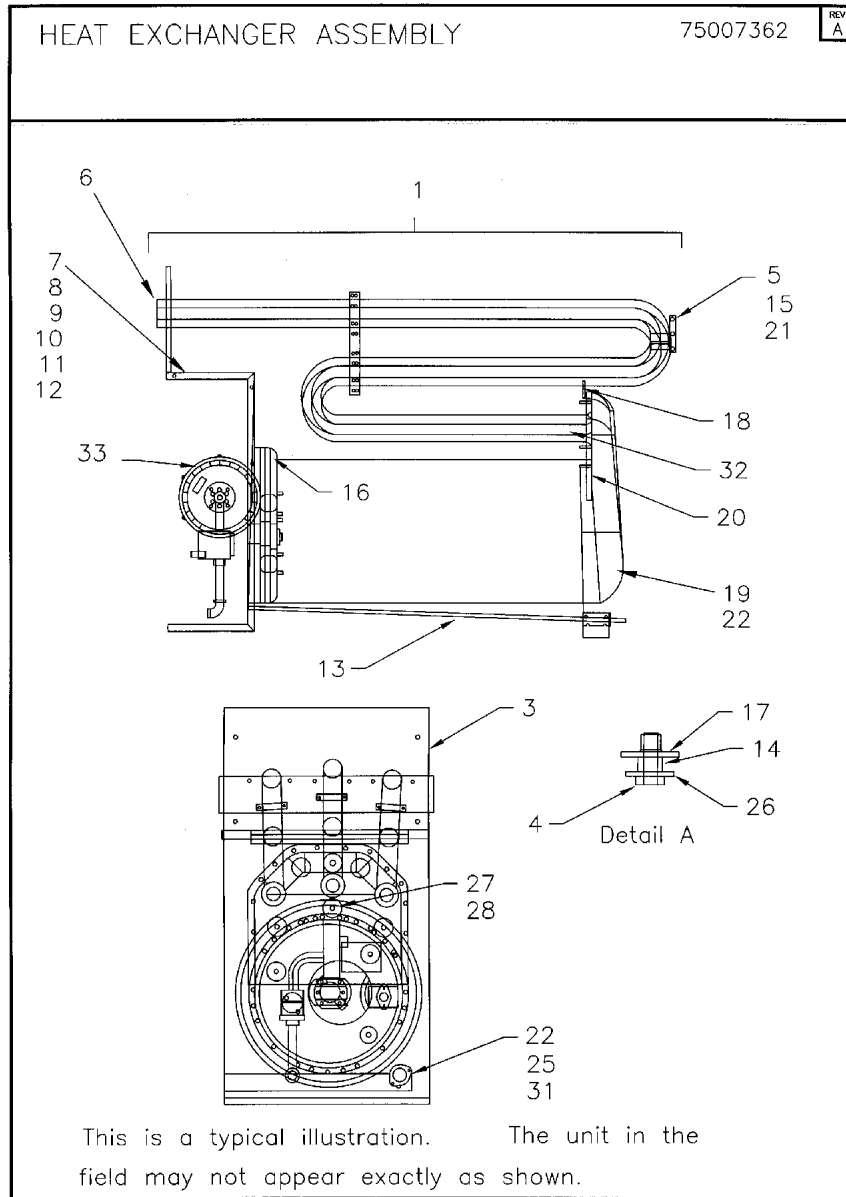


This is a typical illustration. The unit in the field may not appear exactly as shown.

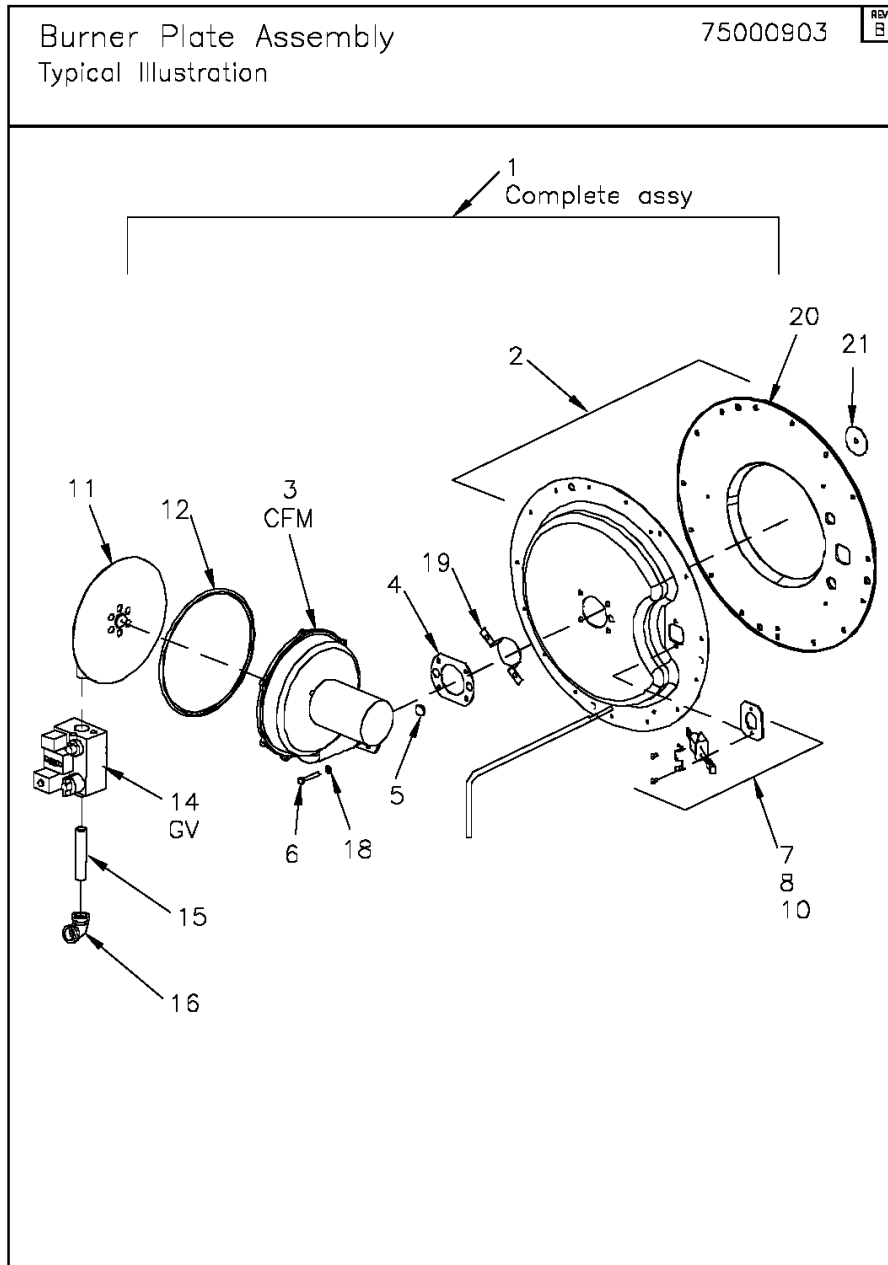
Part No.	Reference No.	Quantity	Description
SPC00328	*	2	SPACER; .31 ID X .66 OD
FAN03087	1	1	FAN; INDOOR ASSEMBLY, DF, 460V
BRK01161	2	8	BRACKET; BEARING ARM
HUS03638	2	1	HOUSING; FAN, INDOOR WELD ASSY DF, 12.5 - 17.5 TON, B-CAB, ASSEMBLY INCLUDES HOUSING AND BEARING BRACKETS
WHL00625	3	1	WHEEL; FAN, STEEL, 15 DIA X 15 LG, 1.0 BORE, BELT
MOT09801	4	1	MOTOR; 3.0/2.0 HP, 208-230/460/60/3, 200/400/50/3, 1740/1450 RPM, 56 HZ FRAME, RIG BASE, ODP, BALL BEARING, REV ROTATION
SHE01716	5	1	SHEAVE; IDLER, V-BELT, 3/8
GER00321	6	1	GEAR; IDLER
WAS00011	7	1	WASHER; 0.375 ID X .875 OD X .083 THK
NUT00150	8	1	NUT; HEX, SELF LOCKING, .38-16
NUT00587	9	1	NUT; HEX CAP, 38-16
BLT00838	10	1	BOLT; .38-16 X 2.75 ROUND HEAD SHORT SQUARE NECK - WITHOUT NUTS
SHE00554	11	1	SHEAVE; 1VP44, 7/8IN. BORE
SHE01008	12	1	SHEAVE; BK90, 1IN. BORE
SHF01504	13	1	SHAFT; FAN, 1 X 22.295
B00194	14	1	BELT;V (BX), BX62, 65.0 OUTSIDE LG. X 63.8 PITCH LG.
BRG00740	15	2	BEARING; CARTRIDGE, BALL 1.00 BORE
BLK00288	16	1	BLOCK; TERMINAL, 3 POLE, 20 AMP, 300V
WIR01118	17	1	WIRE;MOTOR EXTENSION HARNESS
KEY00299	18	2	KEY; 1/4 IN X 1/4 IN X 1 IN
GKT01722	19	0	GASKET;.12 X .75 X 50FT ROLL
SCR01074	21	0	SCREW; SHT METAL, 10-16 X .50, HEX WASHER HD
BUS00269	24	1	BUSHING; 1.31 ID X .45 LG SNAP BUSHING
GKT01722	25	0	GASKET;.12 X .75 X 50FT ROLL
INS00572	26	1	INSULATION;.30 THICK
PLU00439	27	1	PLUG; RUBBER
CON00306	28	1	CONNECTOR; .75 NOM
SLV00094	29	1	SLEEVE, .75 NOM
KEY00300	30	1	KEY; 1/4 IN X 1/4 IN X 1-1/2 IN
SUP04990	31	1	SUPPORT; IDLER



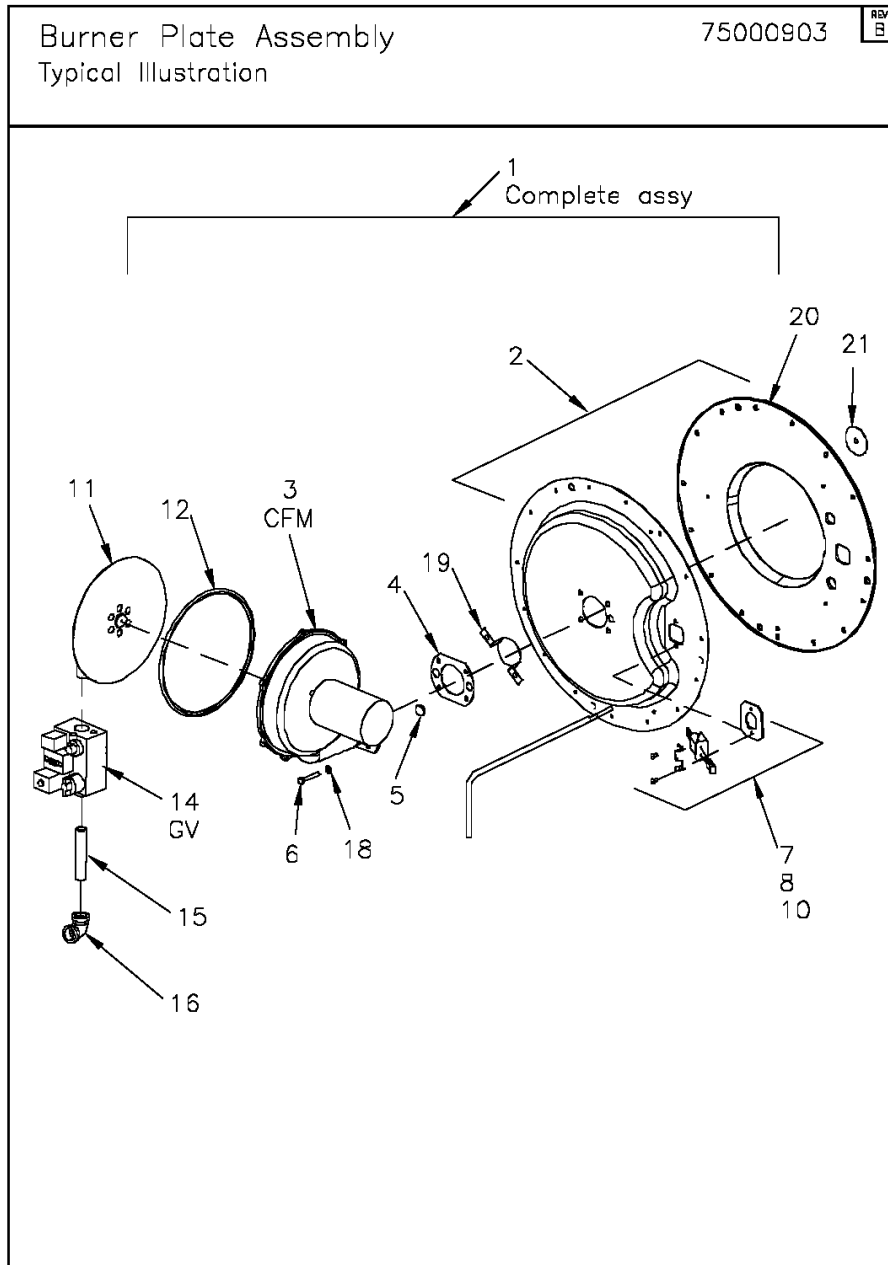
<b>Part No.</b>	<b>Reference No.</b>	<b>Quantity</b>	<b>Description</b>
75000903#YCDUP452~S	*		BURNER PLATE ASSEMBLY
75007362_YCDUP452_147770~P	*		HEAT EXCHANGER ASSEMBLY PARTS LIST



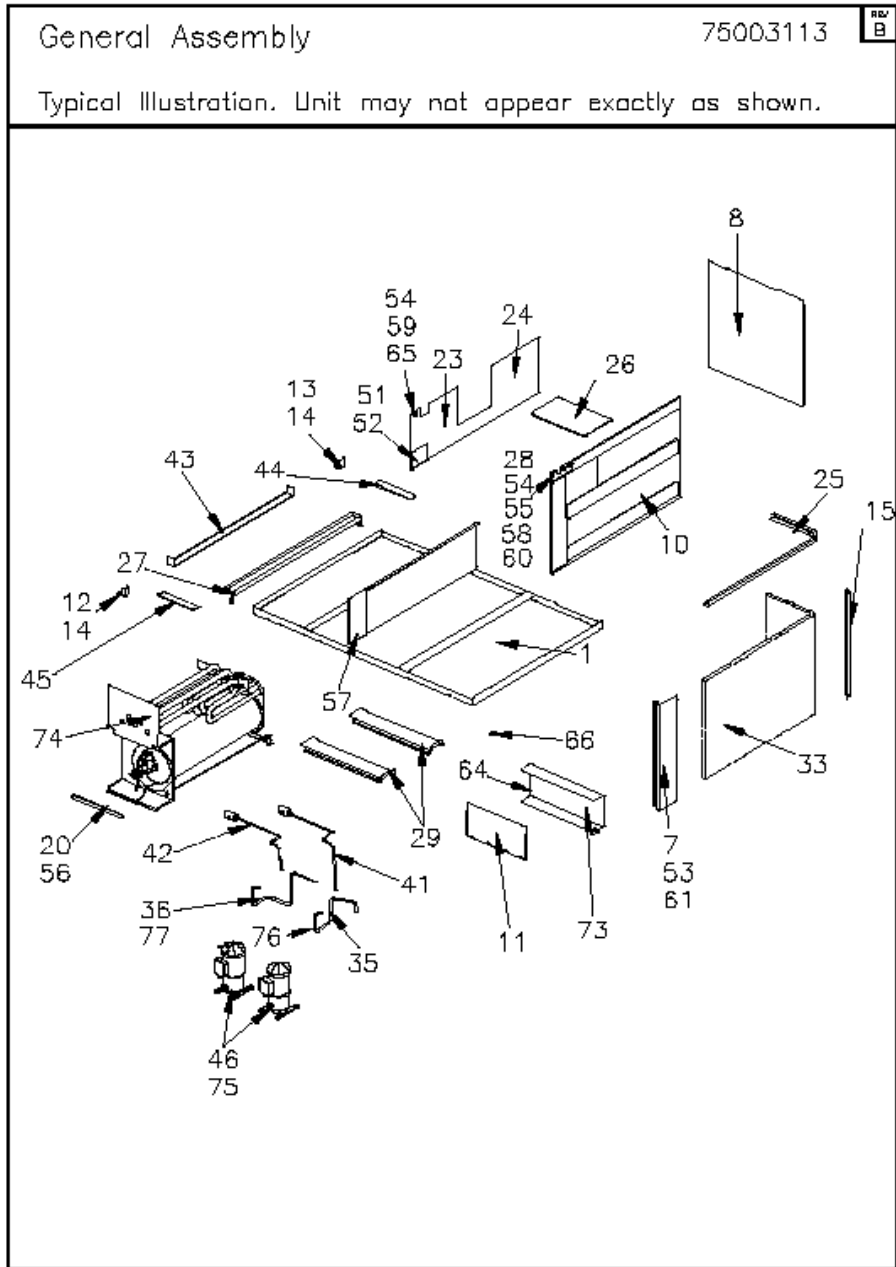
Part No.	Reference No.	Quantity	Description
ADH00007	*	0	ADHESIVE; SPRAY 3M-77 (SHIPPING UOM 16 OZ HAZ)
EXC01322	1	1	EXCHANGER; GAS HEAT ASSEMBLY, 150 MBH, INCLUDES COMBUSTION FAN AND GAS VALVE
PLT01379	3	1	PLATE; EXHAUST ASSEMBLY
SCR01070	4	1	SCREW; HEX SOCKET, .25-20 X .75
SCR01623	5	0	SCREW; SHEET METAL, 10-16 UNC X 1/2, HIGH TORQUE, INDENT HEX-WASHER HEAD
TRB00022	6	2	TURBULATOR;
PNN01027	7	1	PANEL;GAS VESTIBULE
PNN01026	8	1	PANEL;GAS VESTIBULE
INS02536	9	1	INSULATION; .50 T X 27.47W X 48.82
ADH00021	10	0	ADHESIVE; FIBERGLASS H2O BASE
GKT01722	11	0	GASKET;.12 X .75 X 50FT ROLL
SEL00383	12	0	SEAL;FOAM TAPE, NEOPRENE CLOSED CELL, 1/4 X 3/4 X 50 FEET
TUB04761	13	1	TUBE; TEMPERATURE PROBE
SPC00211	14	1	SPACER;.34 ID X .44 OD X .25
SUP01430	15	1	SUPPORT;TUBE
GKT02141	16	2	GASKET; .06 THK X 18.85 DIAMETER, HI-TEMP
SUP01429	17	1	SUPPORT;DRUM REAR
GKT02142	18	1	GASKET; .06 THK, HI-TEMP, DRUM END COVER
COV01350	19	1	COVER; DRUM END COLLECTOR
INS01675	20	1	INSULATION; DRUM END PLATE
CMP00285	21	2	CLAMP; 2.25 DIA
SCR01608	22	0	SCREW; 10-16 UNC X .75, SH MET, HX WASHER HD IDENT - TYPE AB, STL - MAGNIGARD SILVER 17
CNT01219	25	1	CONTROL; TEMP,OPEN 170F, SPST, LIMIT, NORMALLY CLOSED, WITH CAPILLARY
WAS00011	26	1	WASHER; 0.375 ID X .875 OD X .083 THK
WAS00720	27	4	WASHER; .375 ID X 2.00 OD
SCR01922	28	4	SCREW; 10-16, 1.50 SHEET METAL, SLOTTED HEX WASHER HEAD
SPC00323	31	2	SPACER; .194 ID X .312 LG, .375 OD
TUB07189	32	2	TUBE; FORMED TUBE END (FLARED), 2.00" OD X 5.015" TOTAL LENGTH, 2.562" FLARED TUBE END OUTER FLANGE DIA, 18SR STAINLESS STEEL



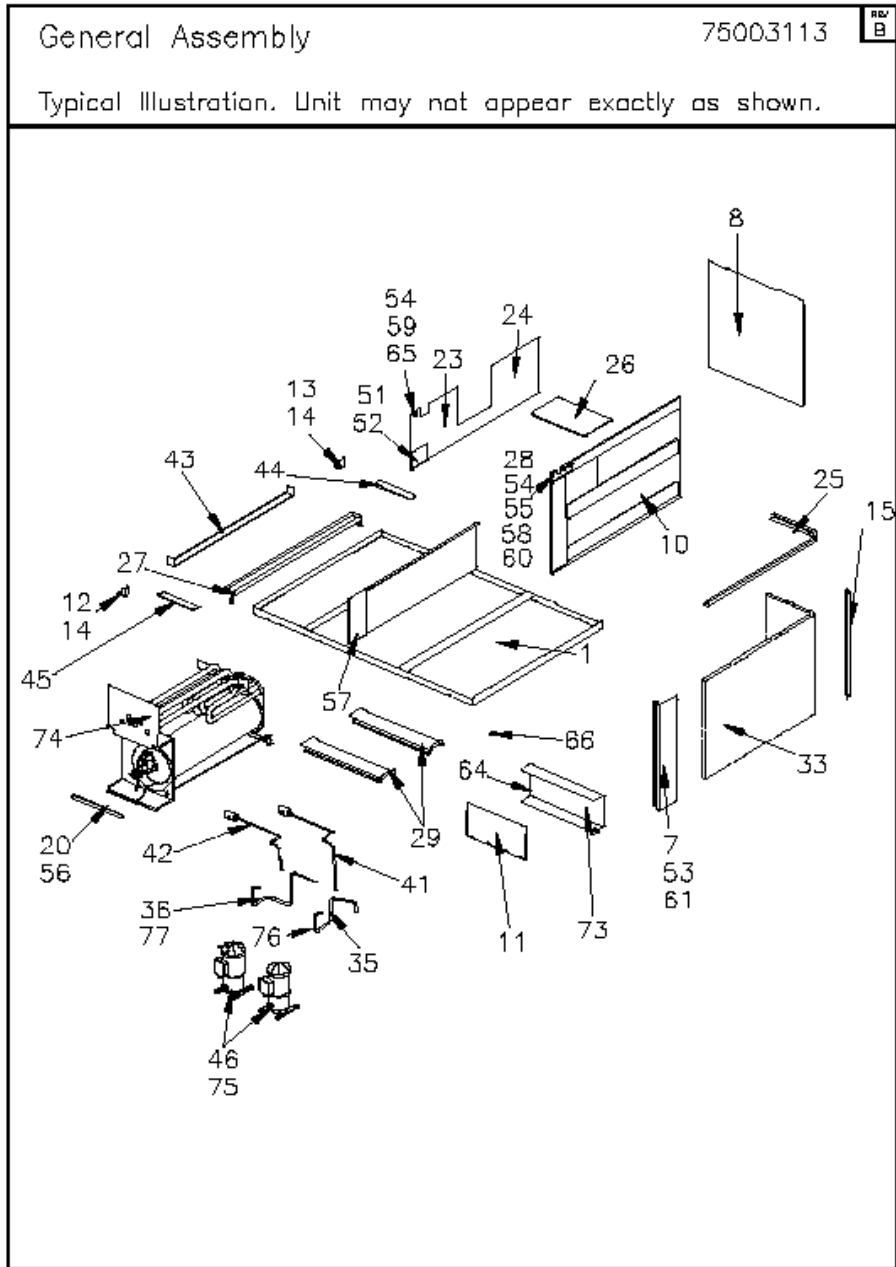
Part No.	Reference No.	Quantity	Description
75000903_YCDUP452_147754-P	*		BURNER PLATE ASSEMBLY PARTS LIST



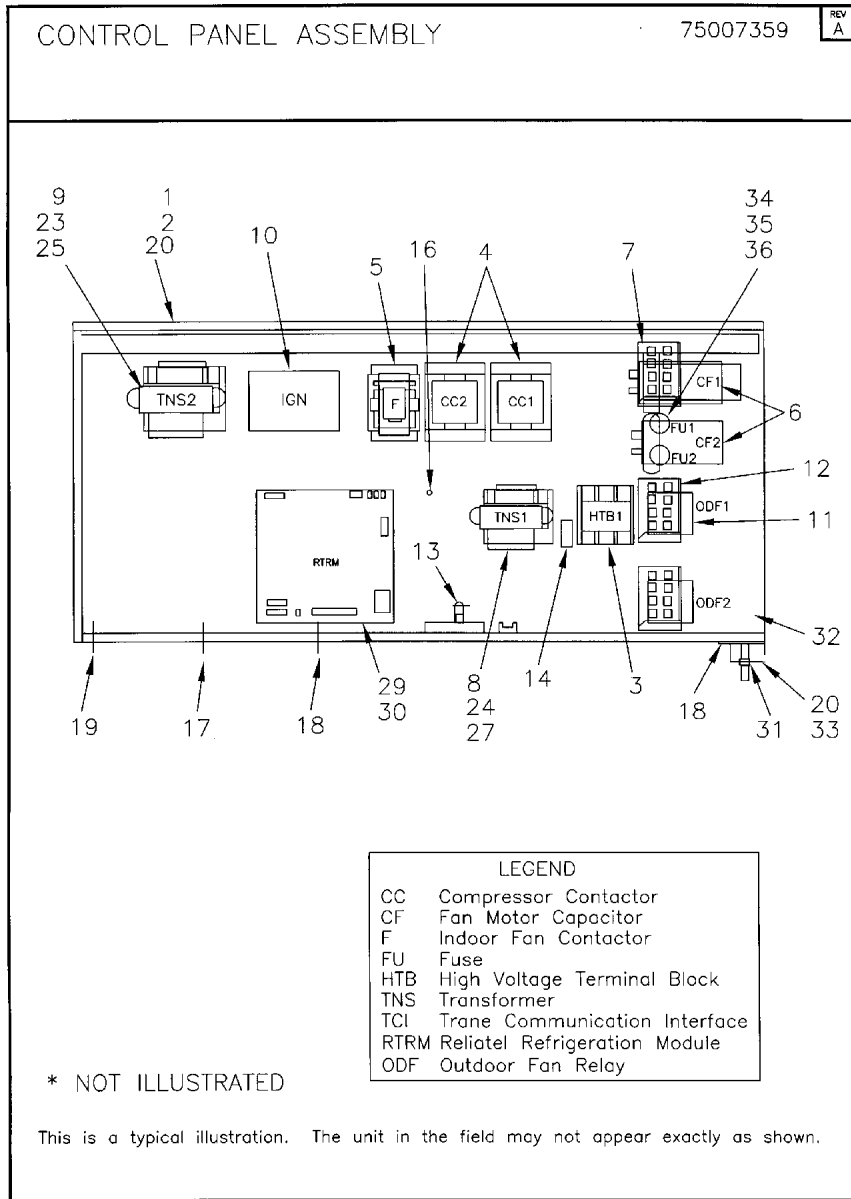
Part No.	Reference No.	Quantity	Description
PLT02684	1	1	PLATE; BURNER CAP ASSEMBLY, 17" DRUM
PLT01989	2	1	PLATE; BURNER WELD,150 MBH,DOES NOT INCLUDE GASKET, USE GKT2141 & INS1720
FAN02159	3	1	FAN; BLOWER, COMBUSTION, W/MOTOR, 1/20 HP, 208-230/60/1
GKT03831	4	1	GASKET; .250 THK X 4.16 DIA
GLS00144	5	1	GLASS; SIGHT, .75 OD X .12 THK
SCR01070	6	4	SCREW; HEX SOCKET, .25-20 X .75
IGN00053	7	1	IGNITOR; CONTROL, 2000F, 115V
SCR01629	8	2	SCREW; STAINLESS STEEL, .50 LONG
GKT03131	10	1	GASKET; FIBERGLASS REINF., .125 X 2.76 X 2.00
ORF01030	11	1	ORIFICE; #B-.238 DIAMETER
GKT03053	12	1	GASKET; EDGE TRIM, .062 X 9.0 DIAMETER
NUT00009	13	4	NUT; .25-20, HEX LOCK
VAL04810	14	1	VALVE; GAS, .50 X .75 NPTI, REDUNDANT
NIP00114	15	1	NIPPLE; .50 NPS X 3.70
ELL00027	16	1	ELBOW; .50 NPS, 90 DEG, 150# MI
WAS00870	18	10	WASHER; .281 ID X .734 OD
BAF00304	19	1	BAFFLE;COMBUSTION BLOWER
INS01718	20	1	INSULATION; BURNER HEAT SHIELD BARRIER, 6.76" ID X 19.2" OD
WAS00720	21	5	WASHER; .375 ID X 2.00 OD
NUT00009	22	5	NUT; .25-20, HEX LOCK



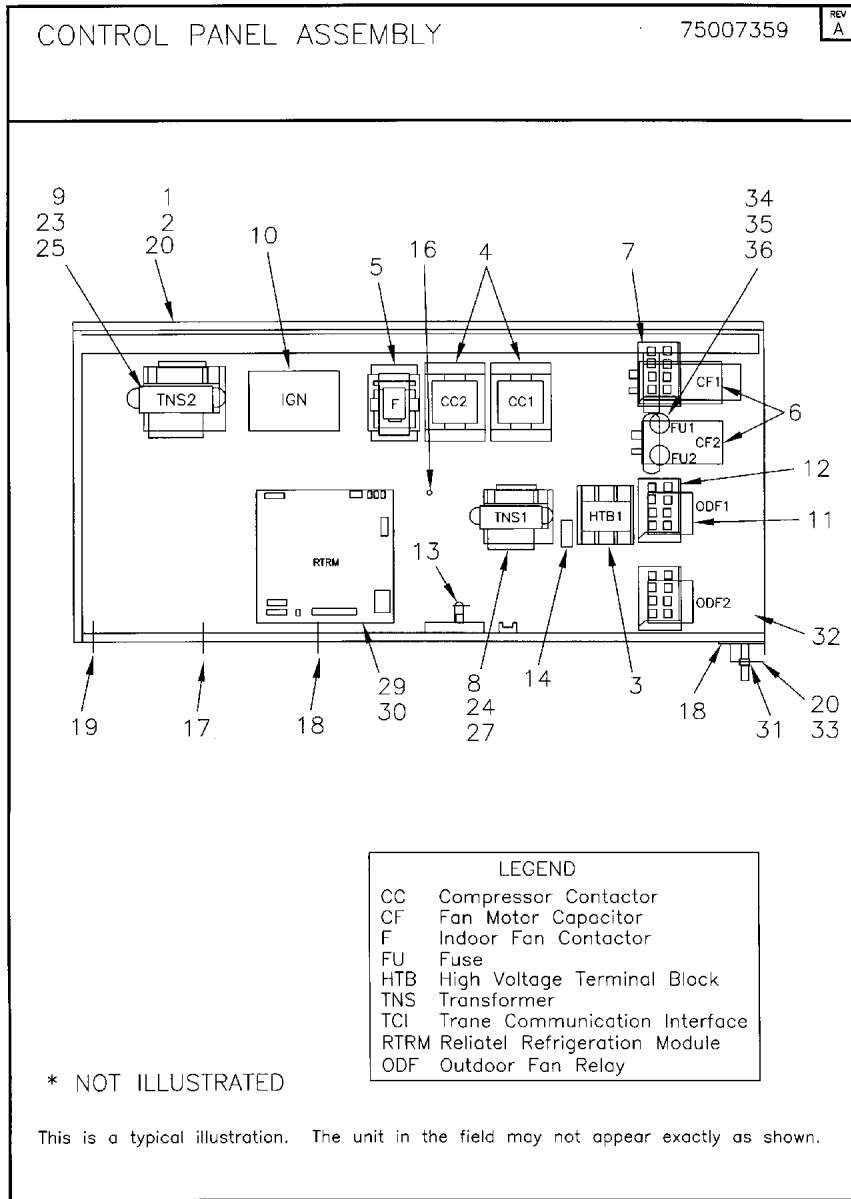
<b>Part No.</b>	<b>Reference No.</b>	<b>Quantity</b>	<b>Description</b>
75007359#YCDUP452~S	*		CONTROL PANEL ASSEMBLY
75003113_YCDUP452_221683~P	*		GENERAL ASSEMBLY VIEW 2 PARTS LIST



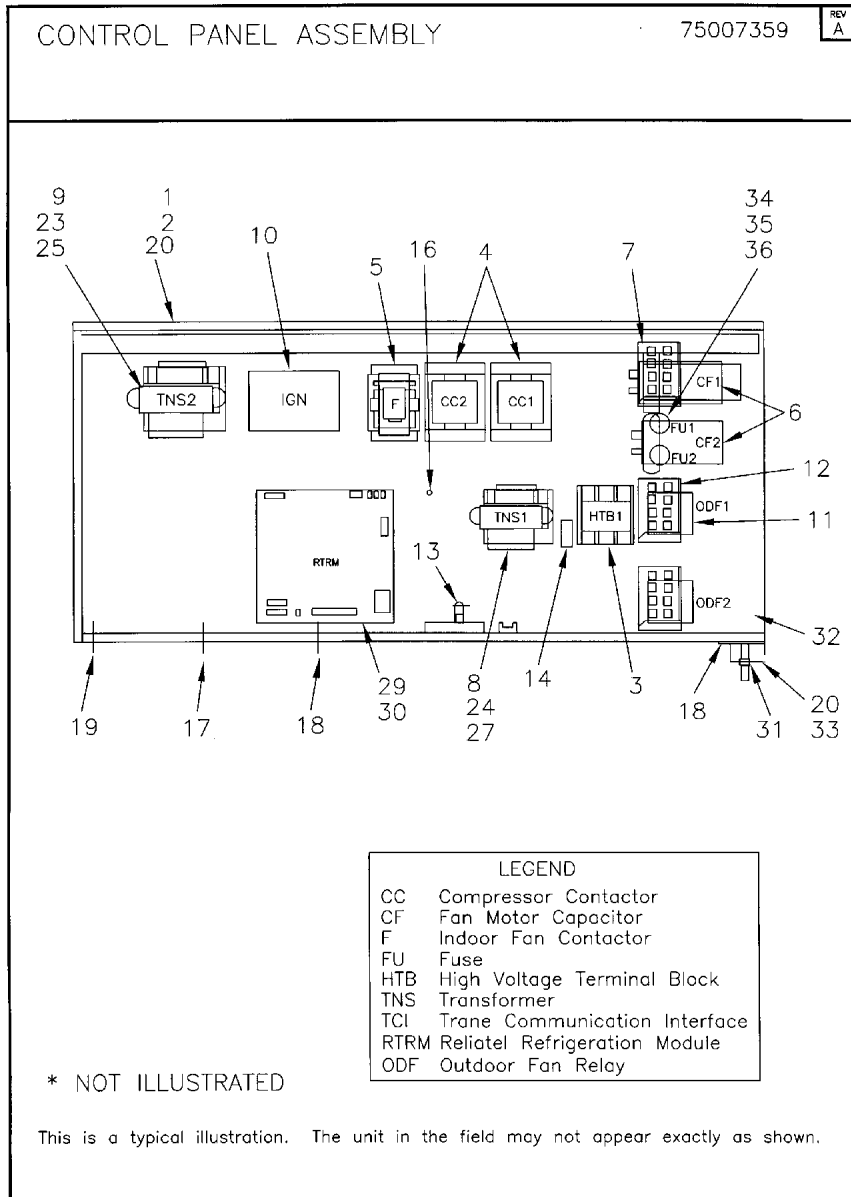
Part No.	Reference No.	Quantity	Description
PLU00907	*	1	PLUG; SCROLL COMPRESSOR, 208/230, 380 VOLT, CKT 1, L1 AND L2 109 INCHES, L3 112 INCHES
PLU00908	*	1	PLUG; SCROLL COMPRESSOR, 208/230, 380 VOLT, CKT 2, L1 & L2 99 INCHES, L3 107 INCHES
BAS01483	1	1	BASE; ASSEMBLY
PNE09399	7	1	PANEL; COMPRESSOR END
PNE09400	8	1	PANEL; REAR ASSEMBLY
PNN01910	10	1	PANEL;DIVIDER HEAT TO OUTDOOR SECTION ASSEMBLY
PNL18056	11	1	PANEL; DEAD FRONT, SHORT
BOF00222	12	1	BLOCKOFF; CORNER POST
BOF00223	13	1	BLOCKOFF; CORNER POST
GKT02118	14	2	GASKET; .25 THK X 3.00 X 4.00
SUP01473	15	1	SUPPORT; CORNER POST OD SECTION
SUP02787	20	1	SUPPORT, GAS VALVE
BOF00389	23	1	BLOCKOFF;TOP INDOOR FAN FRONT ASSEMBLY
BOF00390	24	1	BLOCKOFF;TOP INDOOR FAN REAR
SUP01479	26	1	SUPPORT;EVAPORATOR FAN
PAN01976	27	6	PAN; DRAIN, 70.1"
CMP00225	28	2	CLAMP; TUBE .50 DIA
BRK02880	29	2	BRACKET; LIFTING ASSEMBLY
COL16614	33	1	COIL; CONDENSER WELD ASSEMBLY, R-410A
CAP00072	35	1	CAP; VALVE, SEAL, .25 FFL
COR00006	35	1	CORE; VALVE PORT, .79 LENGTH, .206-36 UNS 2A THD
TUB11343	35	1	TUBE; CKT 1 DISCHARGE ASSEMBLY
VAL01483	35	2	VALVE; BODY, .44-20 THD X .25 ODS, STRAIGHT, BRASS, LESS CORE
CAP00072	36	1	CAP; VALVE, SEAL, .25 FFL
COR00006	36	1	CORE; VALVE PORT, .79 LENGTH, .206-36 UNS 2A THD
TUB11897	36	1	TUBE; DISCHARGE CKT 2
VAL01483	36	2	VALVE; BODY, .44-20 THD X .25 ODS, STRAIGHT, BRASS, LESS CORE
DHY00225	41	1	DRIER;FILTER,3/8 INLET,1/2 OUTLET,SWEAT CONNECTIONS
DHY00225	42	1	DRIER;FILTER,3/8 INLET,1/2 OUTLET,SWEAT CONNECTIONS
BOF00268	43	1	BLOCKOFF; AIR ASSY
BOF00269	44	1	BLOCKOFF; AIR ASSY
BOF00270	45	1	BLOCKOFF; AIR ASSY
MNT01405	46	8	MOUNT; COMPRESSOR HARDWARE
INS02005	51	1	INSULATION; .50T X 11.30W X 30.30
ADH00011	52	1	ADHESIVE; SPRAY - DUCT LINER
PLU00349	53	1	PLUG; 1.38 DIA HOLE, .12 THK PANEL, MOLDED PLASTIC
BUS00334	54	4	BUSHING; SNAP, UNIVERSAL .88 MTG W/MAX .56 ID BLACK NYLON, MAX PANEL THICK = .125
BUS00269	55	1	BUSHING; 1.31 ID X .45 LG SNAP BUSHING
GRM00187	56	2	GROMMET; 1.31 ID X .06 GRV
BTN00037	57	1	BUTTON; 1.00 DIA HOLE
GRM00106	58	1	GROMMET; .88 ID X .05 GRV
BUS00397	59	1	BUSHING; SNAP, 2.25 INCH OD X 1.97 ID, MAX PANEL THICKNESS 0.25, BLACK NYLON
BUS00178	61	1	BUSHING; SNAP, .88 MTG. W/.69 HOLE
IRT00017	64	2	INSERT; BUMPER-STOP, 0.468 OD X 0.81 LG, BLACK RUBBER
CLP00190	65	1	CLIP; FLEXIBLE TRIM 10 FT LONG
SRP00213	66	1	STRAP; .625 OD TUBE SIZE
COM08838	75	2	COMPRESSOR; SCROLL, SSA067A4BPZ, 5.6 TON, 460/60/3, 380-420/50/3, R410A, .50 ID DISCHARGE, .875 ID SUCTION
HTR02443	75	2	HEATER; CRANKCASE, 70W, 480V, 62 INCH LEADS



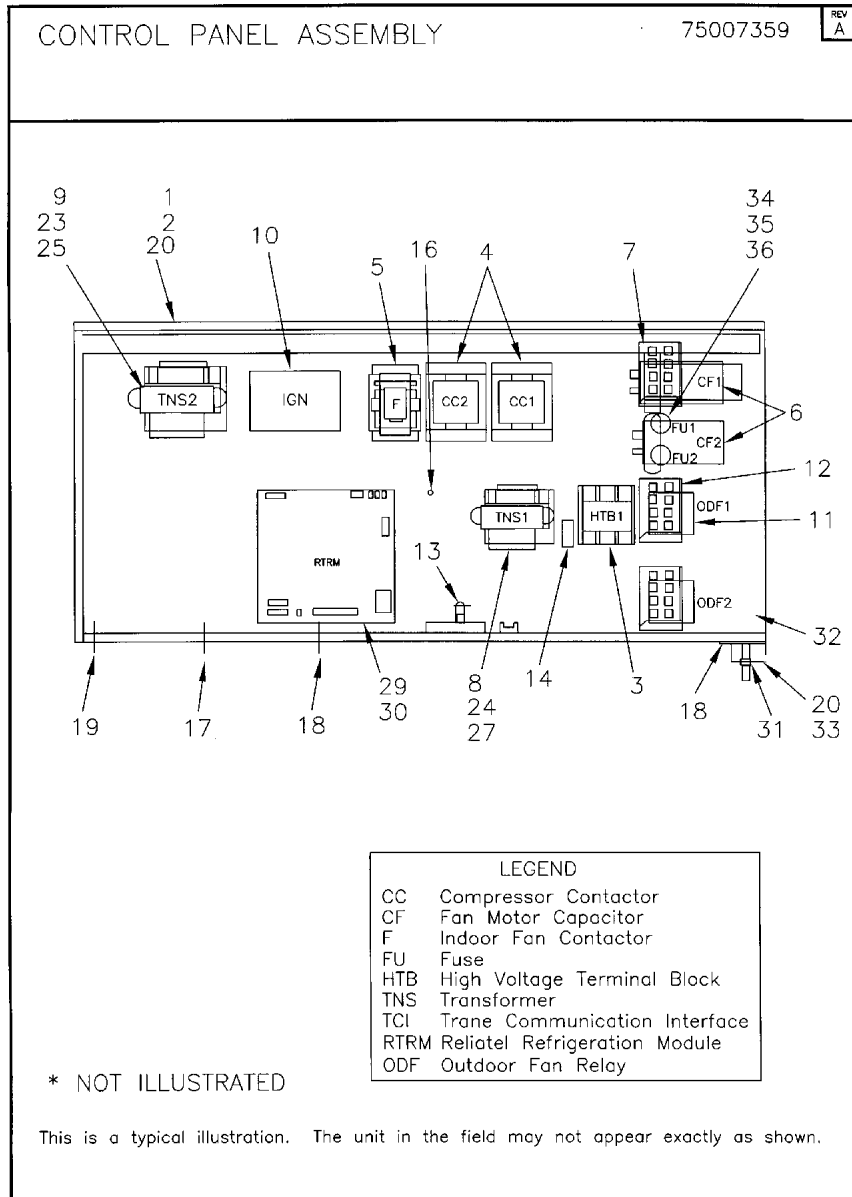
Part No.	Reference No.	Quantity	Description
75007359_YCDUP452_175931~P	*		CONTROL PANEL ASSEMBLY PARTS LIST



Part No.	Reference No.	Quantity	Description
TIE00005	*	6	TIE; WIRE, .06-1.75 DIA
TIE00028	*	3	TIE; WIRE
WIR01363	*	1	WIRE; 16" GROUND, #10 FORK X .250" PIGGYBACK END CONNECTORS
PNL18059	1	1	PANEL; CONTROL BOX, SHORT
PNL18060	2	1	PANEL; CONTROL MOUNTING, SHORT
BLK00362	3	1	BLOCK; TERMINAL, 3 POLE 175 AMP, 600 VOLT
CTR00264	4	2	CONTACTOR; 3 POLE, N.O., 30 FLA AT 600V
CTR00793	5	1	CONTACTOR; 2P, 35A INDUCTIVE, 240-600V, 24V COIL,50/60HZ
CPT00554	6	2	CAPACITOR; 10 MFD, 440 VOLT, OVAL
BRK00348	7	2	BRACKET;CAPACITOR STRAP
TRR00826	8	1	TRANSFORMER; 75 VA, 460-575V PRI, 24V SEC
TRR00664	9	1	TRANSFORMER; 350 VA, 460-575V PRI., 115-230V SEC.
MOD01393	10	1	MODULE; GAS IGNITION
RLY01040	11	1	RELAY; SPDT, 120/208/240/277/480/600V, QUICK CONNECT TERM., 24V COIL
WIR03943	12	1	WIRE; CONTROL PANEL
CON00077	14	1	CONNECTOR, ELECTRIC GROUND, 14-2 AWG SOLDERLESS
SCR00599	16	10	SCREW;10-24 X 1/2
BUS00181	17	1	BUSHING; SNAP, 1.75 INCH OD X 1.38 ID, MAX PANEL THICKNESS 0.125, BLACK NYLON
BUS00367	18	2	BUSHING; SNAP, 1.09 ID
BUS00269	19	1	BUSHING; 1.31 ID X .45 LG SNAP BUSHING
SCR00599	20	0	SCREW;10-24 X 1/2
SCR00907	23	4	SCREW; .25-20 X .50
WAS00611	24	2	WASHER;LOCK, .19 ID X .39 OD
WAS00456	25	1	WASHER;LOCK,.25 ID X .49 OD
INS00799	27	1	INSULATION; .03 THK, FISCH PAPER
MOD01462	29	1	MODULE; RELIATEL REFRIGERATION DUAL CIRCUIT GAS
SCR00909	30	4	SCREW, 6-32 X .75
GRM00039	31	1	GROMMET; RUBBER .25 ID X .05 GRV MLD
PNL18061	32	1	PANEL; TERMINAL STRIP BRACKET
BAF00354	33	1	BAFFLE; AIR SENSOR BRACKET
FUS00666	34	2	FUSE; TIME DELAY, 500VAC (UL) FLQ-20 600VAC (CSA), 20 AMP
HLD00042	35	2	HOLDER; FUSE, WATERTIGHT, STRAIGHT BOTTOM TERMINAL, 1-13/32 X 1-1/2 FUSE LENGTH
BTN00025	36	1	BUTTON; PLUG, .88 DIA



Part No.	Reference No.	Quantity	Description
75007359_YCDUP452_175931~P	*		CONTROL PANEL ASSEMBLY PARTS LIST



Part No.	Reference No.	Quantity	Description
TIE00005	*	6	TIE; WIRE, .06-1.75 DIA
TIE00028	*	3	TIE; WIRE
WIR01363	*	1	WIRE; 16" GROUND, #10 FORK X .250" PIGGYBACK END CONNECTORS
PNL18059	1	1	PANEL; CONTROL BOX, SHORT
PNL18060	2	1	PANEL; CONTROL MOUNTING, SHORT
BLK00362	3	1	BLOCK; TERMINAL, 3 POLE 175 AMP, 600 VOLT
CTR00264	4	2	CONTACTOR; 3 POLE, N.O., 30 FLA AT 600V
CTR00793	5	1	CONTACTOR; 2P, 35A INDUCTIVE, 240-600V, 24V COIL,50/60HZ
CPT00554	6	2	CAPACITOR; 10 MFD, 440 VOLT, OVAL
BRK00348	7	2	BRACKET;CAPACITOR STRAP
TRR00826	8	1	TRANSFORMER; 75 VA, 460-575V PRI, 24V SEC
TRR00664	9	1	TRANSFORMER; 350 VA, 460-575V PRI., 115-230V SEC.
MOD01393	10	1	MODULE; GAS IGNITION
RLY01040	11	1	RELAY; SPDT, 120/208/240/277/480/600V, QUICK CONNECT TERM., 24V COIL
WIR03943	12	1	WIRE; CONTROL PANEL
CON00077	14	1	CONNECTOR, ELECTRIC GROUND, 14-2 AWG SOLDERLESS
SCR00599	16	10	SCREW;10-24 X 1/2
BUS00181	17	1	BUSHING; SNAP, 1.75 INCH OD X 1.38 ID, MAX PANEL THICKNESS 0.125, BLACK NYLON
BUS00367	18	2	BUSHING; SNAP, 1.09 ID
BUS00269	19	1	BUSHING; 1.31 ID X .45 LG SNAP BUSHING
SCR00599	20	0	SCREW;10-24 X 1/2
SCR00907	23	4	SCREW; .25-20 X .50
WAS00611	24	2	WASHER;LOCK, .19 ID X .39 OD
WAS00456	25	1	WASHER;LOCK,.25 ID X .49 OD
INS00799	27	1	INSULATION; .03 THK, FISCH PAPER
MOD01462	29	1	MODULE; RELIATEL REFRIGERATION DUAL CIRCUIT GAS
SCR00909	30	4	SCREW, 6-32 X .75
GRM00039	31	1	GROMMET; RUBBER .25 ID X .05 GRV MLD
PNL18061	32	1	PANEL; TERMINAL STRIP BRACKET
BAF00354	33	1	BAFFLE; AIR SENSOR BRACKET
FUS00666	34	2	FUSE; TIME DELAY, 500VAC (UL) FLQ-20 600VAC (CSA), 20 AMP
HLD00042	35	2	HOLDER; FUSE, WATERTIGHT, STRAIGHT BOTTOM TERMINAL, 1-13/32 X 1-1/2 FUSE LENGTH
BTN00025	36	1	BUTTON; PLUG, .88 DIA



Part No.	Reference No.	Quantity	Description
75000904_YCDUP452_221682~P	*		EVAPORATOR FAN ASSEMBLY PARTS LIST



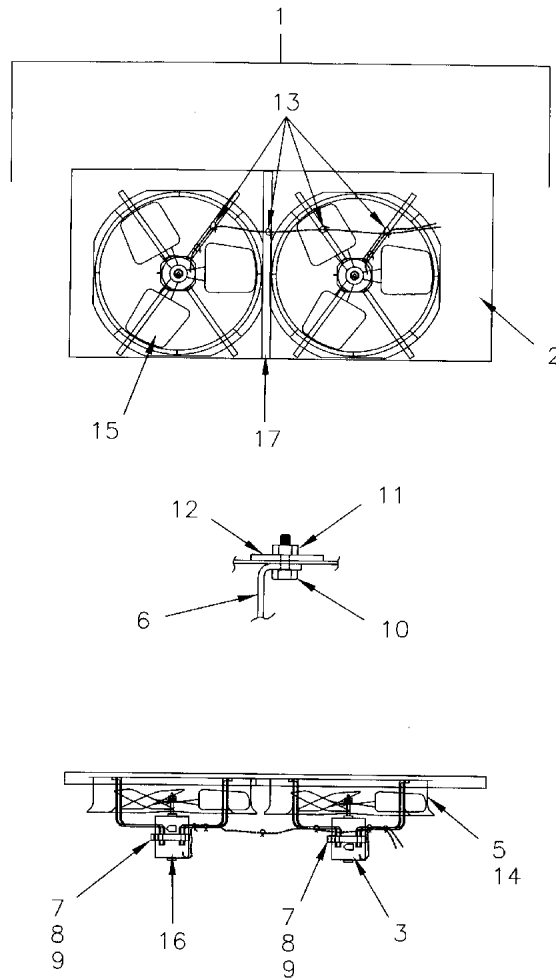
Part No.	Reference No.	Quantity	Description
SPC00328	*	2	SPACER; .31 ID X .66 OD
FAN03087	1	1	FAN; INDOOR ASSEMBLY, DF, 460V
BRK01161	2	8	BRACKET; BEARING ARM
HUS03638	2	1	HOUSING; FAN, INDOOR WELD ASSY DF, 12.5 - 17.5 TON, B-CAB, ASSEMBLY INCLUDES HOUSING AND BEARING BRACKETS
WHL00625	3	1	WHEEL; FAN, STEEL, 15 DIA X 15 LG, 1.0 BORE, BELT
MOT09801	4	1	MOTOR; 3.0/2.0 HP, 208-230/460/60/3, 200/400/50/3, 1740/1450 RPM, 56 HZ FRAME, RIG BASE, ODP, BALL BEARING, REV ROTATION
SHE01716	5	1	SHEAVE; IDLER, V-BELT, 3/8
GER00321	6	1	GEAR; IDLER
WAS00011	7	1	WASHER; 0.375 ID X .875 OD X .083 THK
NUT00150	8	1	NUT; HEX, SELF LOCKING, .38-16
NUT00587	9	1	NUT; HEX CAP, 38-16
BLT00838	10	1	BOLT; .38-16 X 2.75 ROUND HEAD SHORT SQUARE NECK - WITHOUT NUTS
SHE00554	11	1	SHEAVE; 1VP44, 7/8IN. BORE
SHE01008	12	1	SHEAVE; BK90, 1IN. BORE
SHF01504	13	1	SHAFT; FAN, 1 X 22.295
B00194	14	1	BELT;V (BX), BX62, 65.0 OUTSIDE LG. X 63.8 PITCH LG.
BRG00740	15	2	BEARING; CARTRIDGE, BALL 1.00 BORE
BLK00288	16	1	BLOCK; TERMINAL, 3 POLE, 20 AMP, 300V
WIR01118	17	1	WIRE;MOTOR EXTENSION HARNESS
KEY00299	18	2	KEY; 1/4 IN X 1/4 IN X 1 IN
GKT01722	19	0	GASKET;.12 X .75 X 50FT ROLL
SCR01074	21	0	SCREW; SHT METAL, 10-16 X .50, HEX WASHER HD
BUS00269	24	1	BUSHING; 1.31 ID X .45 LG SNAP BUSHING
GKT01722	25	0	GASKET;.12 X .75 X 50FT ROLL
INS00572	26	1	INSULATION;.30 THICK
PLU00439	27	1	PLUG; RUBBER
CON00306	28	1	CONNECTOR; .75 NOM
SLV00094	29	1	SLEEVE, .75 NOM
KEY00300	30	1	KEY; 1/4 IN X 1/4 IN X 1-1/2 IN
SUP04990	31	1	SUPPORT; IDLER

CONDENSER FAN & ORIFICE ASSY.

75007352

REV  
A

Typical illustration. Unit may not appear exactly as shown.



Parts List Number :YCD00444#YCDUP452

Model Number :YCD150E4LABC

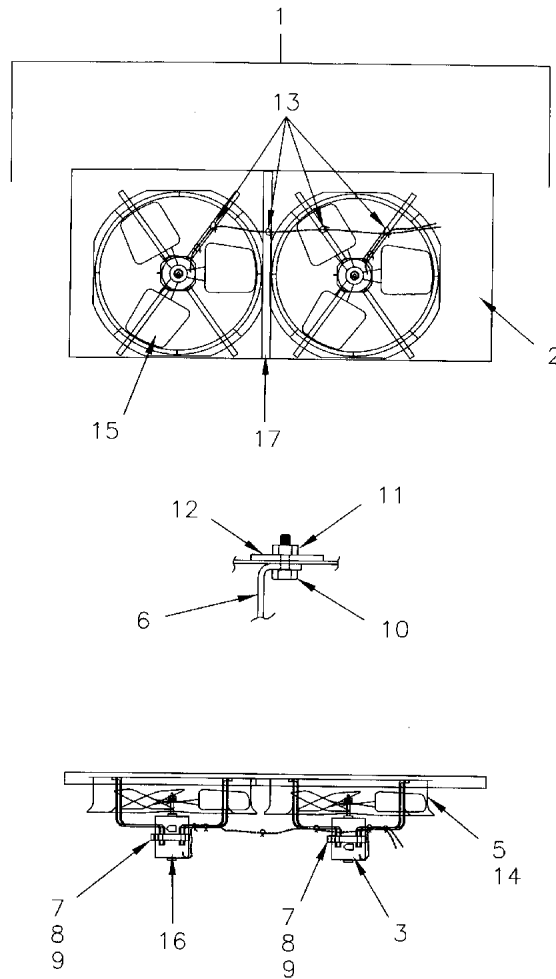
Part No.	Reference No.	Quantity	Description
75007352_YCDUP452_207000~P	*		CONDENSER FAN & ORIFICE ASSEMBLY PARTS LIST

CONDENSER FAN & ORIFICE ASSY.

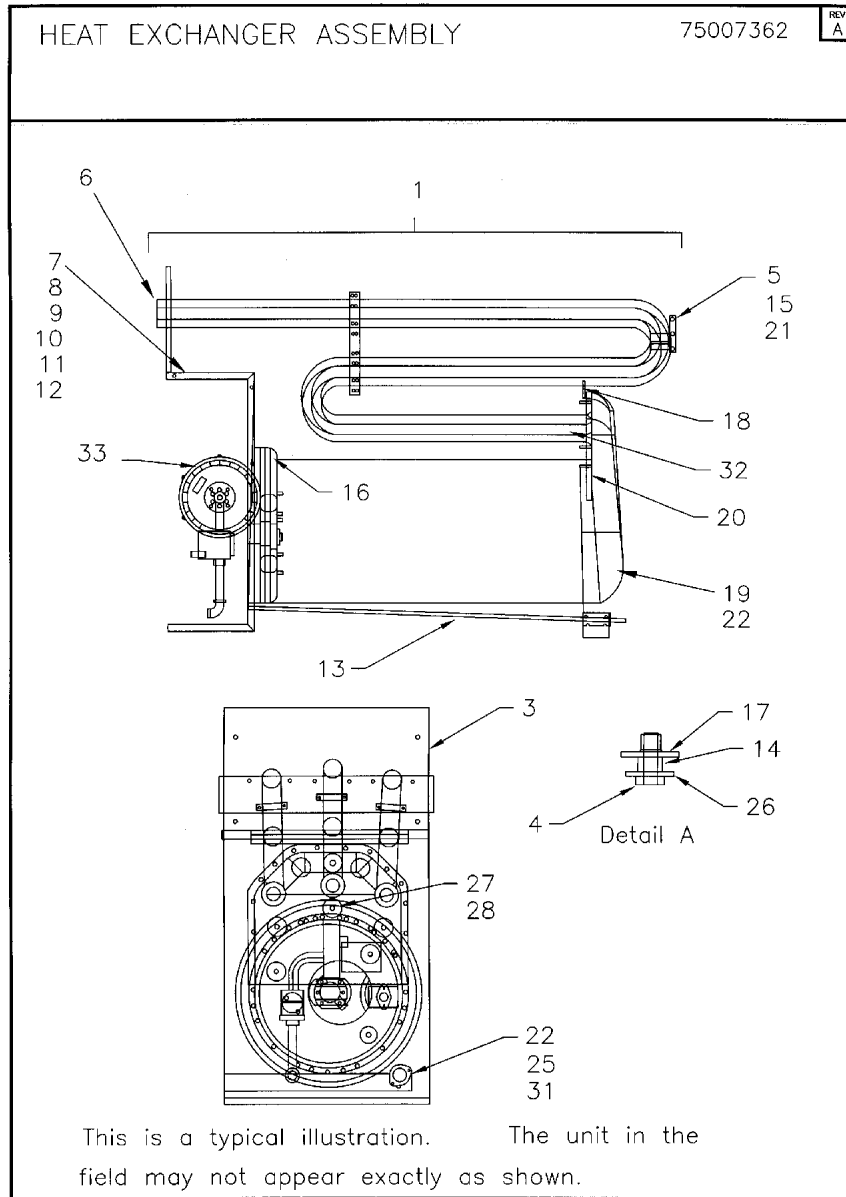
75007352

REV  
A

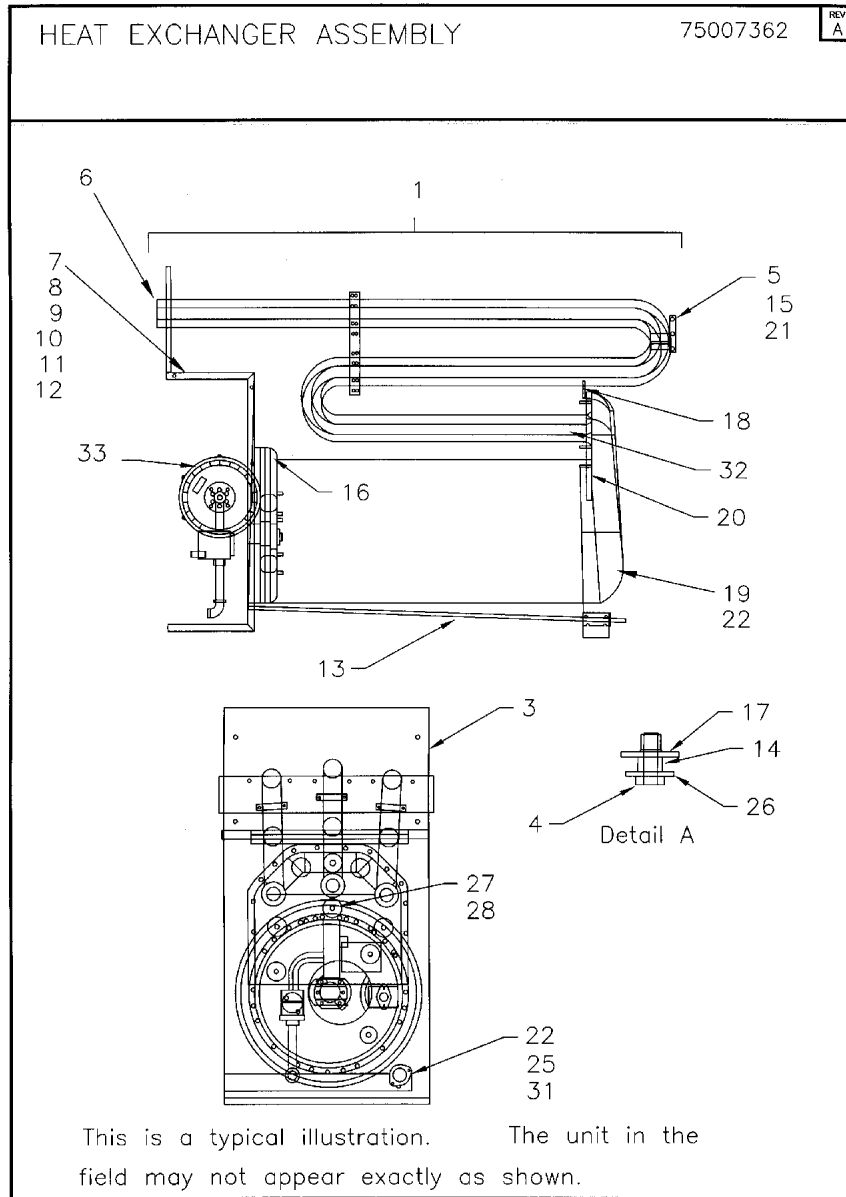
Typical illustration. Unit may not appear exactly as shown.



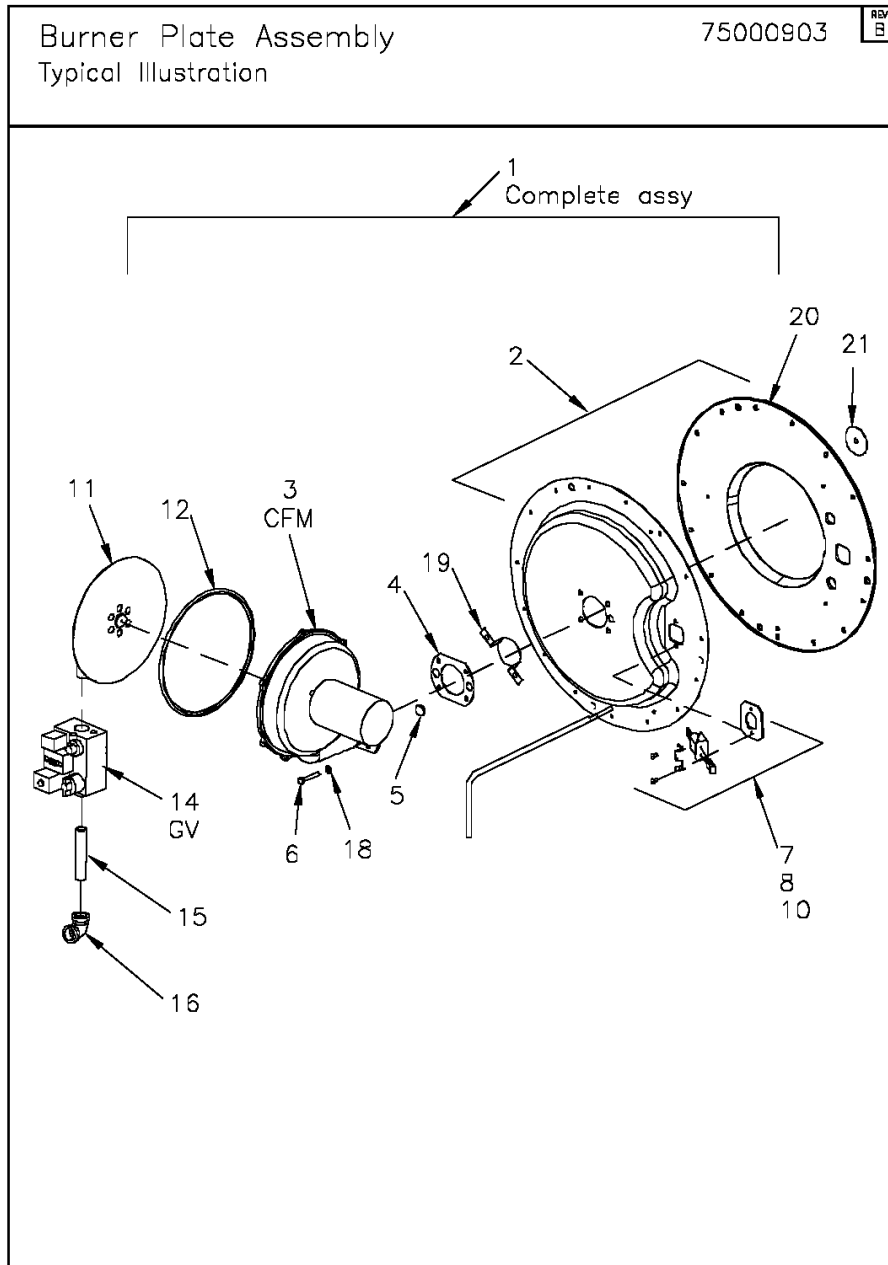
Part No.	Reference No.	Quantity	Description
FAN03423	1	1	FAN; ORIFICE ASSEMBLY, OUTDOOR
COV03436	2	1	COVER; TOP OUTDOOR SECTION
MOT03769	3	1	MOTOR; 1/2 HP, 460/60/1, 1100 RPM, OR 1/3 HP, 380-415/50/1, 925 RPM, TYPE PSC, 48 FRAME, CCW, BALL BEARING, 10 MFD AT 440V
ORF00576	5	1	ORIFICE;CONDENSER FAN
BRK01632	6	8	BRACKET;MOTOR MOUNT, 13.77 LEG
BRK01160	7	1	BRACKET, MOTOR MOUNT
SCR01342	8	2	SCREW; .25-20 X 1.75 HEX MACHINE
NUT00009	9	2	NUT; .25-20, HEX LOCK
SCR01583	10	8	SCREW;HEX CAP,.31-18X.75 HEX CAP,.31-18X.75
NUT00932	11	8	NUT; HEX LOCK, .31-18
WAS00718	12	8	WASHER; .312 ID X 1.75 OD
TIE00028	13	6	TIE; WIRE
SCR01623	14	30	SCREW; SHEET METAL, 10-16 UNC X 1/2, HIGH TORQUE, INDENT HEX-WASHER HEAD
FAN01531	15	1	FAN;3 BLADE,ALUM,26 DIA, 22-25 DEG,.50 BORE,CW
MOT03775	16	1	MOTOR; 1/2 HP, 400-460/50-60/1, 1100/925 RPM, CCW, 48 FRAME, BALL BEARING, 10 MFD CPT AT 440V
SUP02788	17	1	SUPPORT, ANGLE



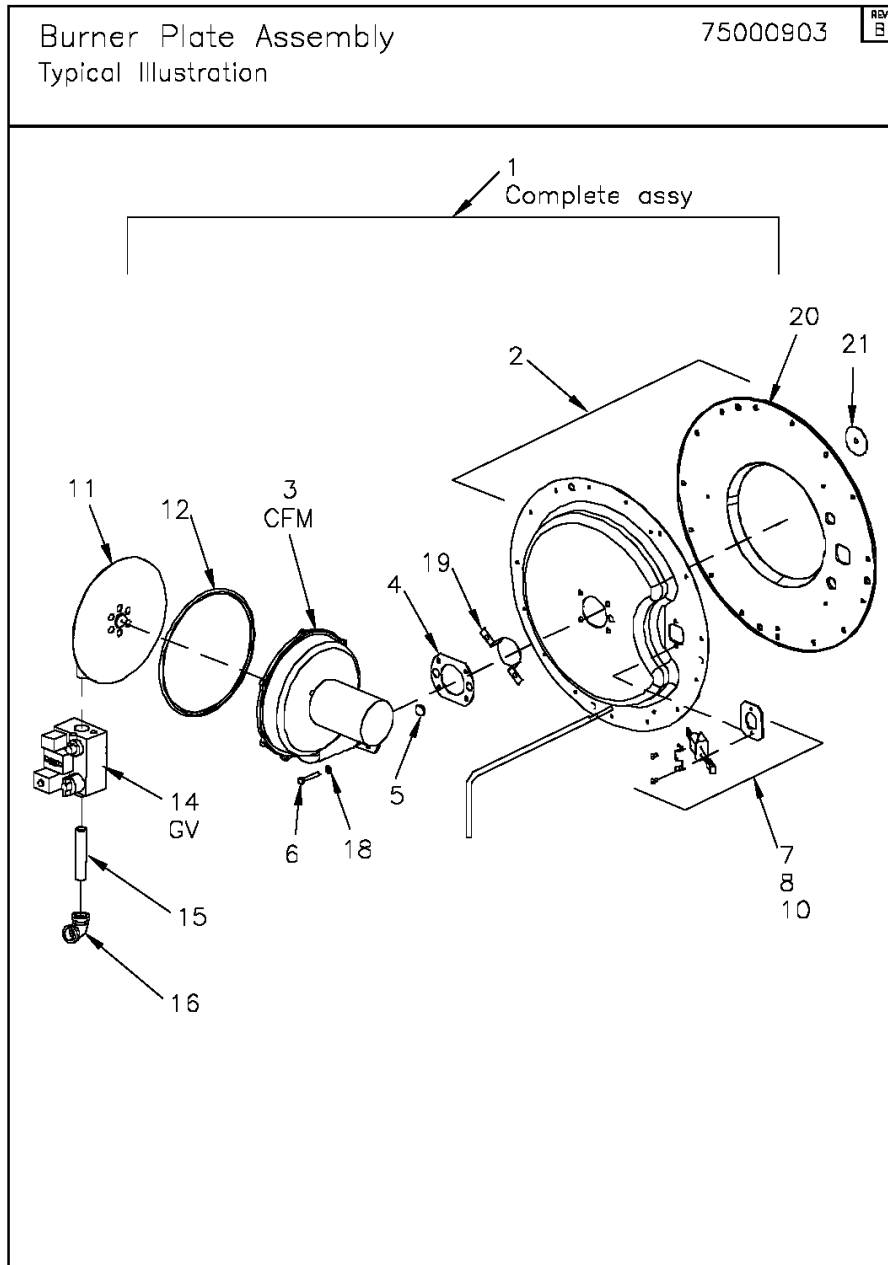
<b>Part No.</b>	<b>Reference No.</b>	<b>Quantity</b>	<b>Description</b>
75000903#YCDUP452~S	*		BURNER PLATE ASSEMBLY
75007362_YCDUP452_147770~P	*		HEAT EXCHANGER ASSEMBLY PARTS LIST



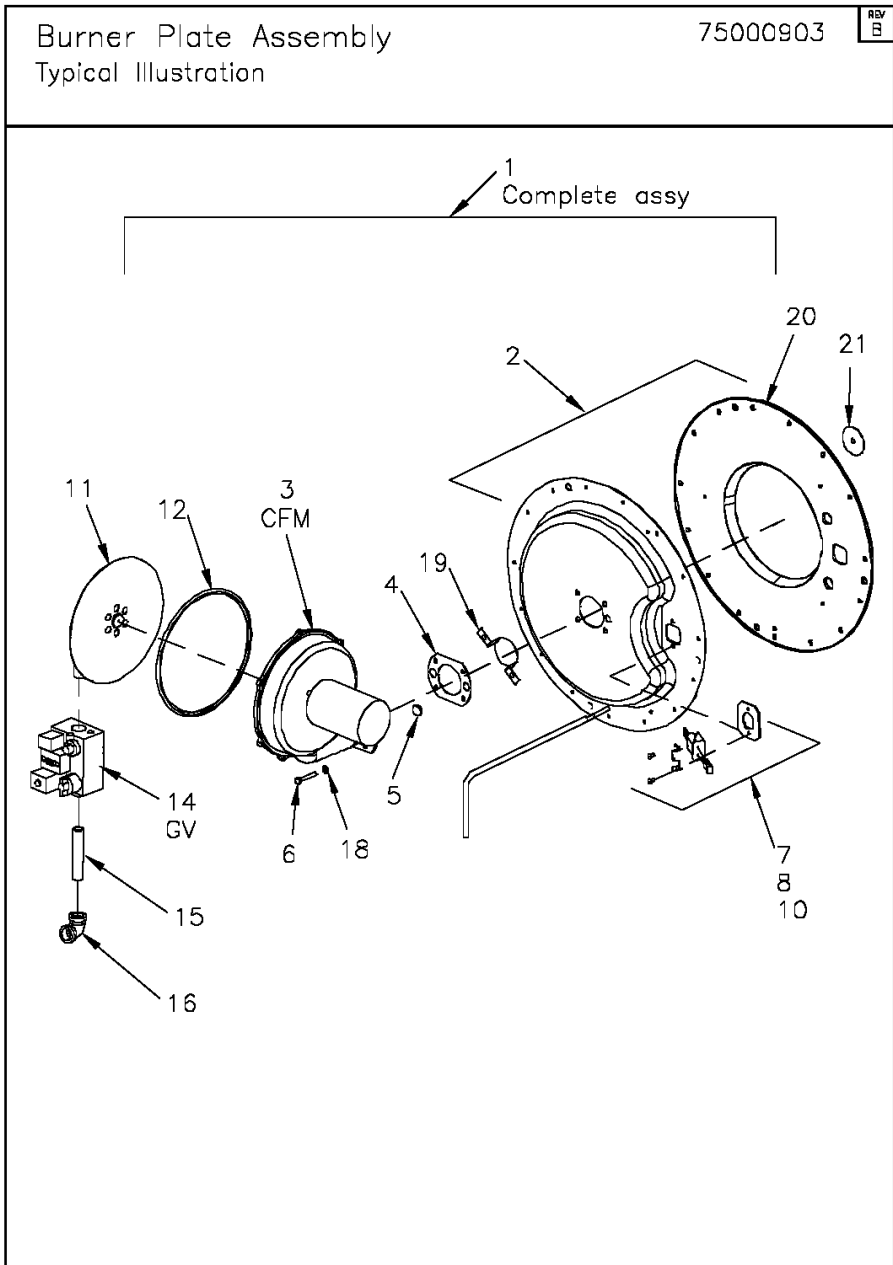
Part No.	Reference No.	Quantity	Description
ADH00007	*	0	ADHESIVE; SPRAY 3M-77 (SHIPPING UOM 16 OZ HAZ)
EXC01322	1	1	EXCHANGER; GAS HEAT ASSEMBLY, 150 MBH, INCLUDES COMBUSTION FAN AND GAS VALVE
PLT01379	3	1	PLATE; EXHAUST ASSEMBLY
SCR01070	4	1	SCREW; HEX SOCKET, .25-20 X .75
SCR01623	5	0	SCREW; SHEET METAL, 10-16 UNC X 1/2, HIGH TORQUE, INDENT HEX-WASHER HEAD
TRB00022	6	2	TURBULATOR;
PNN01027	7	1	PANEL;GAS VESTIBULE
PNN01026	8	1	PANEL;GAS VESTIBULE
INS02536	9	1	INSULATION; .50 T X 27.47W X 48.82
ADH00021	10	0	ADHESIVE; FIBERGLASS H2O BASE
GKT01722	11	0	GASKET;.12 X .75 X 50FT ROLL
SEL00383	12	0	SEAL;FOAM TAPE, NEOPRENE CLOSED CELL, 1/4 X 3/4 X 50 FEET
TUB04761	13	1	TUBE; TEMPERATURE PROBE
SPC00211	14	1	SPACER;.34 ID X .44 OD X .25
SUP01430	15	1	SUPPORT;TUBE
GKT02141	16	2	GASKET; .06 THK X 18.85 DIAMETER, HI-TEMP
SUP01429	17	1	SUPPORT;DRUM REAR
GKT02142	18	1	GASKET; .06 THK, HI-TEMP, DRUM END COVER
COV01350	19	1	COVER; DRUM END COLLECTOR
INS01675	20	1	INSULATION; DRUM END PLATE
CMP00285	21	2	CLAMP; 2.25 DIA
SCR01608	22	0	SCREW; 10-16 UNC X .75, SH MET, HX WASHER HD IDENT - TYPE AB, STL - MAGNIGARD SILVER 17
CNT01219	25	1	CONTROL; TEMP,OPEN 170F, SPST, LIMIT, NORMALLY CLOSED, WITH CAPILLARY
WAS00011	26	1	WASHER; 0.375 ID X .875 OD X .083 THK
WAS00720	27	4	WASHER; .375 ID X 2.00 OD
SCR01922	28	4	SCREW; 10-16, 1.50 SHEET METAL, SLOTTED HEX WASHER HEAD
SPC00323	31	2	SPACER; .194 ID X .312 LG, .375 OD
TUB07189	32	2	TUBE; FORMED TUBE END (FLARED), 2.00" OD X 5.015" TOTAL LENGTH, 2.562" FLARED TUBE END OUTER FLANGE DIA, 18SR STAINLESS STEEL



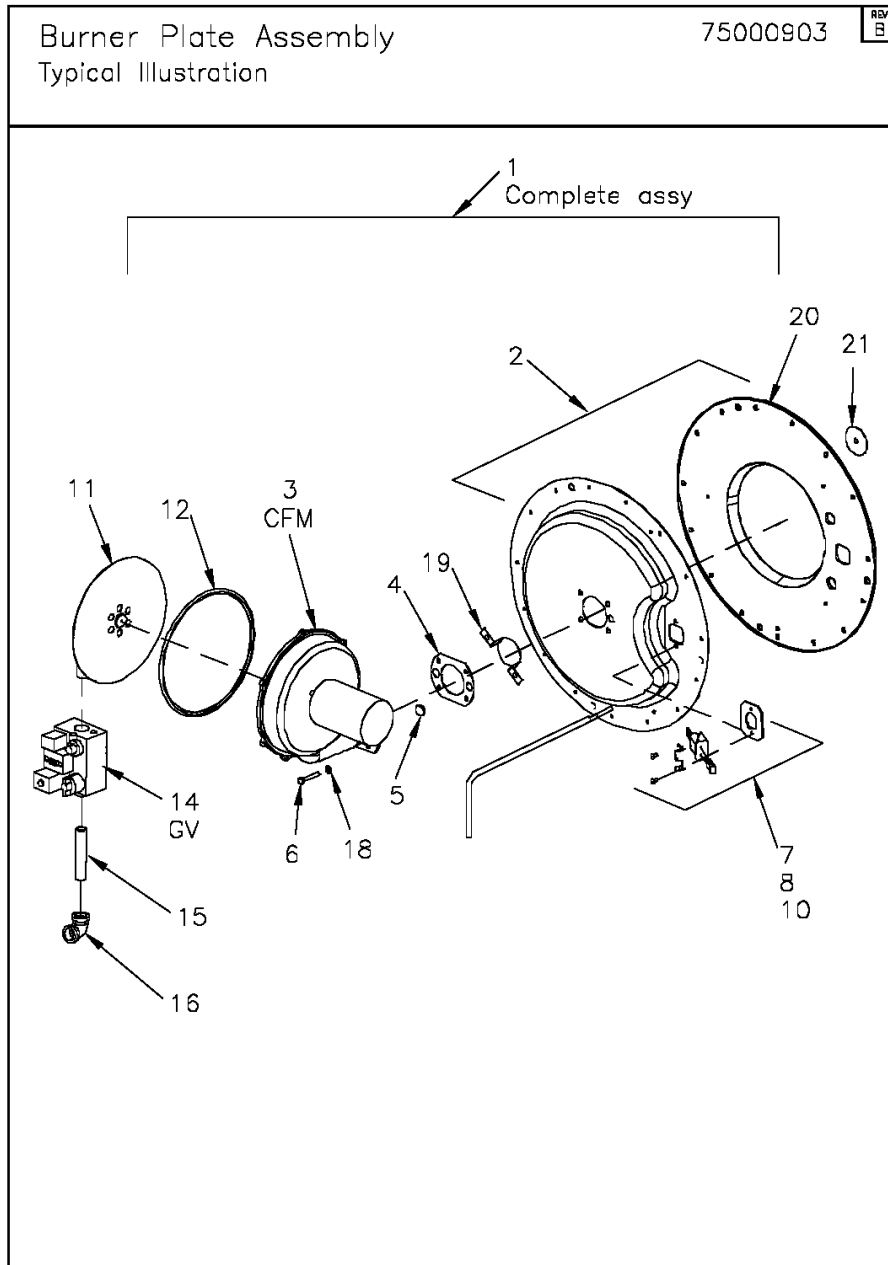
Part No.	Reference No.	Quantity	Description
75000903_YCDUP452_147754-P	*		BURNER PLATE ASSEMBLY PARTS LIST



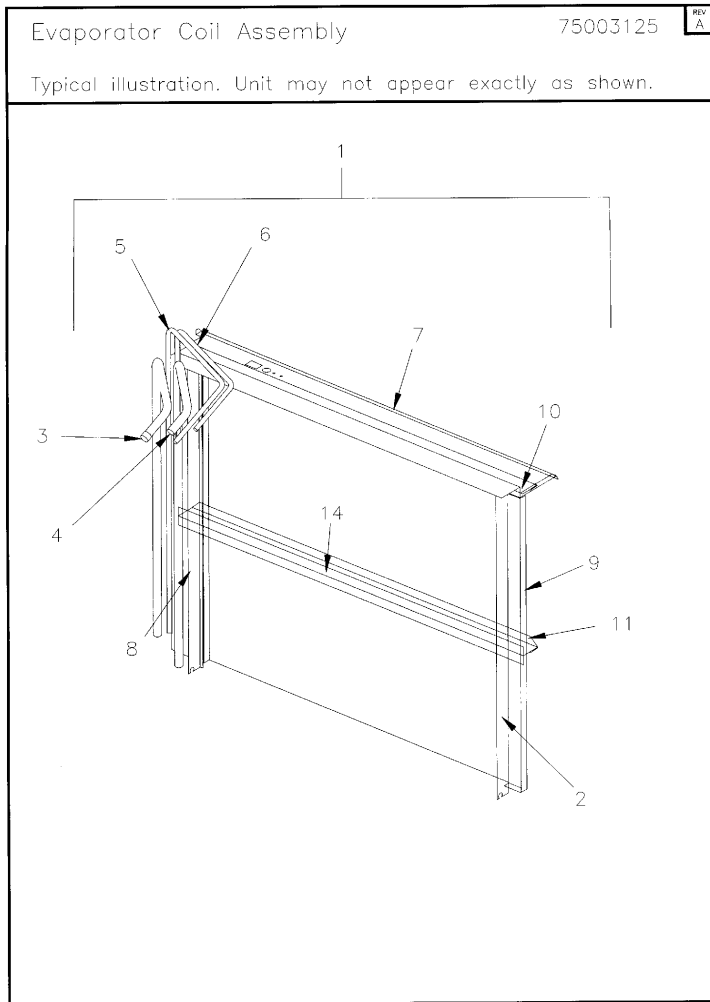
Part No.	Reference No.	Quantity	Description
PLT02684	1	1	PLATE; BURNER CAP ASSEMBLY, 17" DRUM
PLT01989	2	1	PLATE; BURNER WELD,150 MBH,DOES NOT INCLUDE GASKET, USE GKT2141 & INS1720
FAN02159	3	1	FAN; BLOWER, COMBUSTION, W/MOTOR, 1/20 HP, 208-230/60/1
GKT03831	4	1	GASKET; .250 THK X 4.16 DIA
GLS00144	5	1	GLASS; SIGHT, .75 OD X .12 THK
SCR01070	6	4	SCREW; HEX SOCKET, .25-20 X .75
IGN00053	7	1	IGNITOR; CONTROL, 2000F, 115V
SCR01629	8	2	SCREW; STAINLESS STEEL, .50 LONG
GKT03131	10	1	GASKET; FIBERGLASS REINF., .125 X 2.76 X 2.00
ORF01030	11	1	ORIFICE; #B-.238 DIAMETER
GKT03053	12	1	GASKET; EDGE TRIM, .062 X 9.0 DIAMETER
NUT00009	13	4	NUT; .25-20, HEX LOCK
VAL04810	14	1	VALVE; GAS, .50 X .75 NPTI, REDUNDANT
NIP00114	15	1	NIPPLE; .50 NPS X 3.70
ELL00027	16	1	ELBOW; .50 NPS, 90 DEG, 150# MI
WAS00870	18	10	WASHER; .281 ID X .734 OD
BAF00304	19	1	BAFFLE;COMBUSTION BLOWER
INS01718	20	1	INSULATION; BURNER HEAT SHIELD BARRIER, 6.76" ID X 19.2" OD
WAS00720	21	5	WASHER; .375 ID X 2.00 OD
NUT00009	22	5	NUT; .25-20, HEX LOCK



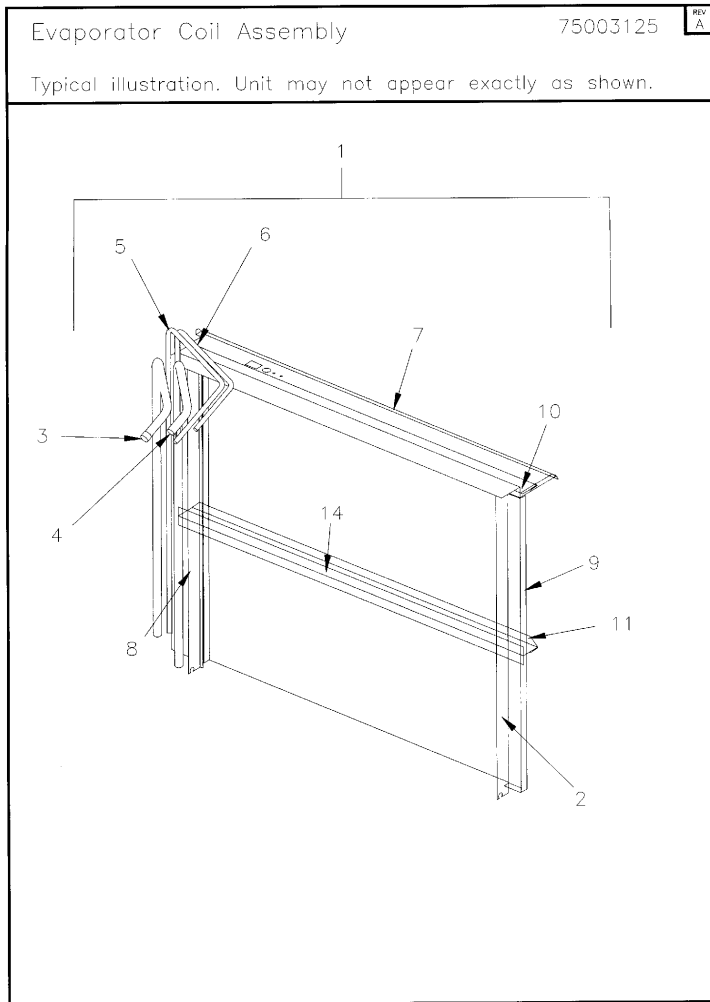
Part No.	Reference No.	Quantity	Description
75000903_YCDUP452_147754-P	*		BURNER PLATE ASSEMBLY PARTS LIST



Part No.	Reference No.	Quantity	Description
PLT02684	1	1	PLATE; BURNER CAP ASSEMBLY, 17" DRUM
PLT01989	2	1	PLATE; BURNER WELD,150 MBH,DOES NOT INCLUDE GASKET, USE GKT2141 & INS1720
FAN02159	3	1	FAN; BLOWER, COMBUSTION, W/MOTOR, 1/20 HP, 208-230/60/1
GKT03831	4	1	GASKET; .250 THK X 4.16 DIA
GLS00144	5	1	GLASS; SIGHT, .75 OD X .12 THK
SCR01070	6	4	SCREW; HEX SOCKET, .25-20 X .75
IGN00053	7	1	IGNITOR; CONTROL, 2000F, 115V
SCR01629	8	2	SCREW; STAINLESS STEEL, .50 LONG
GKT03131	10	1	GASKET; FIBERGLASS REINF., .125 X 2.76 X 2.00
ORF01030	11	1	ORIFICE; #B-.238 DIAMETER
GKT03053	12	1	GASKET; EDGE TRIM, .062 X 9.0 DIAMETER
NUT00009	13	4	NUT; .25-20, HEX LOCK
VAL04810	14	1	VALVE; GAS, .50 X .75 NPTI, REDUNDANT
NIP00114	15	1	NIPPLE; .50 NPS X 3.70
ELL00027	16	1	ELBOW; .50 NPS, 90 DEG, 150# MI
WAS00870	18	10	WASHER; .281 ID X .734 OD
BAF00304	19	1	BAFFLE;COMBUSTION BLOWER
INS01718	20	1	INSULATION; BURNER HEAT SHIELD BARRIER, 6.76" ID X 19.2" OD
WAS00720	21	5	WASHER; .375 ID X 2.00 OD
NUT00009	22	5	NUT; .25-20, HEX LOCK



Part No.	Reference No.	Quantity	Description
75003125_YCDUP452_147764-P	*		EVAPORATOR FAN SECTION PARTS LIST



Part No.	Reference No.	Quantity	Description
HDR00870	*	0	HEADER; SHORT ORIFICE CKT 2
HDR00871	*	0	HEADER; SHORT ORIFICE CKT 1
SCR01623	*	0	SCREW; SHEET METAL, 10-16 UNC X 1/2, HIGH TORQUE, INDENT HEX-WASHER HEAD
COL16211	2	1	COIL; INDOOR-WELD ASSEMBLY
TUB08950	3	1	TUBE; SUCTION HEADER ASSEMBLY, CKT 2
TUB08951	4	1	TUBE; SUCTION HEADER ASSEMBLY, CKT 1
TUB10441	5	1	TUBE; SHORT ORIFICE HEADER, CKT 2
TUB10440	6	1	TUBE; SHORT ORIFICE HEADER, CKT 1
BOF01178	7	1	BLOCKOFF; EVAPORATOR COIL TOP
BOF01181	8	1	BLOCKOFF; EVAPORATOR COIL FRONT
BOF01177	9	1	BLOCKOFF; EVAPORATOR COIL REAR
BRK02399	10	1	BRACKET; TOP FILTER RACK
CNL00733	11	2	CHANNEL; FILTER RACK
SEL00383	14	1	SEAL;FOAM TAPE, NEOPRENE CLOSED CELL, 1/4 X 3/4 X 50 FEET

ECONOMIZER

75008230

REV  
A

FOR IDENTIFICATION OF  
ECONOMIZER PARTS, THE  
FOLLOWING MODEL NUMBER  
SHOULD BE ENTERED INTO  
CATS.

BAYECON089AA

Part No.	Reference No.	Quantity	Description
75008230_YCDUP452_147777~P	*		ECONOMIZER ASSEMBLY PARTS LIST

ECONOMIZER

75008230

REV  
A

FOR IDENTIFICATION OF  
ECONOMIZER PARTS, THE  
FOLLOWING MODEL NUMBER  
SHOULD BE ENTERED INTO  
CATS.

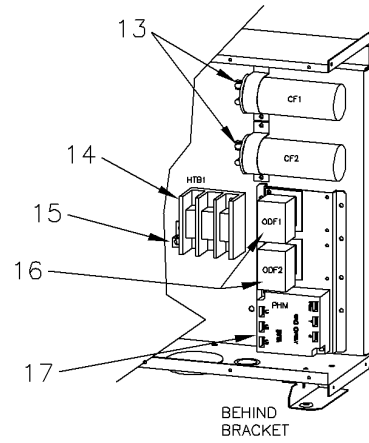
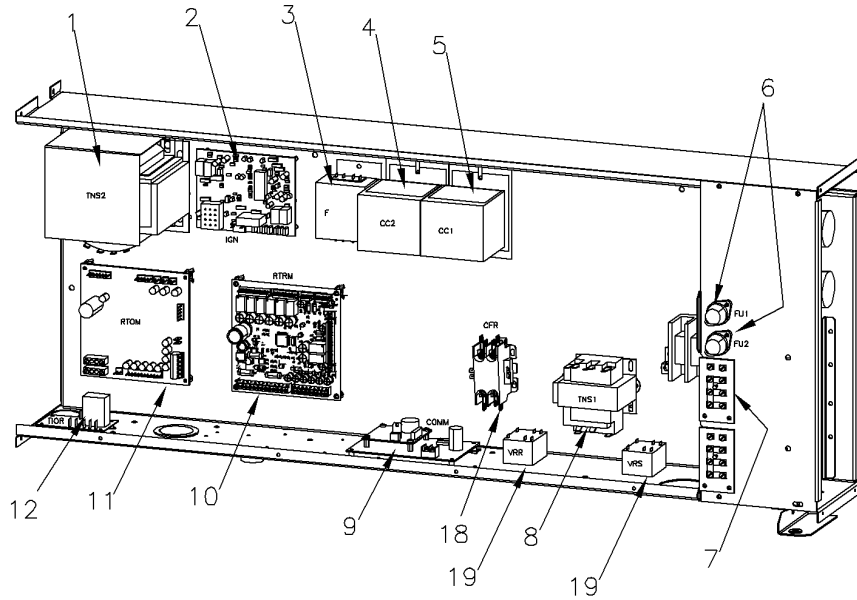
BAYECON089AA

Control Panel Assembly

75009600

REV  
B

Typical Illustration  
YC



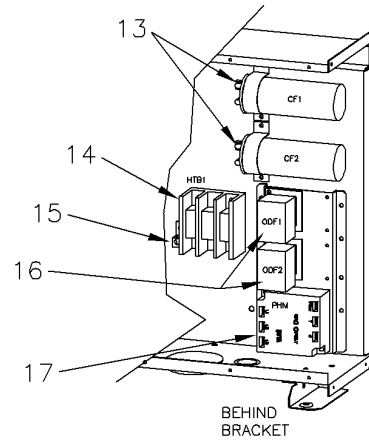
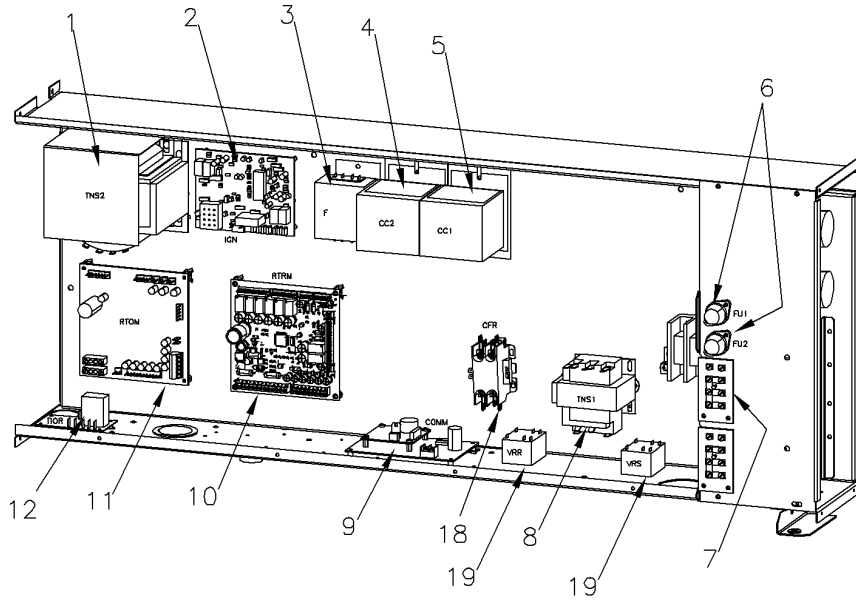
Part No.	Reference No.	Quantity	Description
75009600_YCDUP452_235001~P	*		CONTROL PANEL ASSEMBLY PARTS LIST

Control Panel Assembly

75009600

REV  
B

Typical Illustration  
YC



Part No.	Reference No.	Quantity	Description
TRR00664	1	1	TRANSFORMER; 350 VA, 460-575V PRI., 115-230V SEC.
MOD01393	2	1	MODULE; GAS IGNITION
CTR00793	3	1	CONTACTOR; 2P, 35A INDUCTIVE, 240-600V, 24V COIL,50/60HZ
CTR00264	4	2	CONTACTOR; 3 POLE, N.O., 30 FLA AT 600V
FUS00038	6	2	FUSEHOLDER; PANEL MTD, 600VAC, 30AMP
FUS00666	6	2	FUSE; TIME DELAY, 500VAC (UL) FLQ-20 600VAC (CSA), 20 AMP
TRR00826	8	1	TRANSFORMER; 75 VA, 460-575V PRI, 24V SEC
MOD01791	10	1	MODULE; RELIATEL REFRIGERATION DUAL CIRCUIT COOL/HEAT PUMP
CPT00554	13	2	CAPACITOR; 10 MFD, 440 VOLT, OVAL
BLK00362	14	1	BLOCK; TERMINAL, 3 POLE 175 AMP, 600 VOLT
CON00077	15	1	CONNECTOR, ELECTRIC GROUND, 14-2 AWG SOLDERLESS
RLY01040	16	1	RELAY; SPDT, 120/208/240/277/480/600V, QUICK CONNECT TERM., 24V COIL
CNT05176	17	1	CONTROL; MONITOR, 3-PHASE LINE, UNIVERSAL 180-632 VAC, PHASE AND LOSS REVERSAL
CTR00836	18	1	CONTACTOR; 208/230V, 2 POLE, 30 AMP

VOYAGER

75012144

REV.  
A

OPTIONAL FIELD INSTALLED ACCESSORIES

ACCESSORY TYPE

ECON = Economizer	ISLT = Isolator
ASCT = Anti-Cycle Timer	KSKT = Start Accessory Kit
BARM = Barometric Relief	LEGS = Snow Legs
BASE = Base	LIFT = Roof Mount Kit
BURN = Burner	LOAM = Low Ambient
CTHI = Board-Convention Interface	LPKT = L.P. Kit
CURB = Roofcurb	MOTR = Low Ambient Motor Kit
CCHT = Crankcase Heater	NXKT = No Oxide Kit
DFSR = Air Diffuser	PLNM = Plenum
DMPR = SS Damper	PLUS = Plus One Kit
DNKT = Downflow Kit	PSMN = Power Supply Monitor Kit
FCCV = Flow Control Check Valve	PWRX = Power Exhaust
FLSW = Flow Switch	QACB = Quick Adapt Curb
FLTR = Filter	RLAY = Relay
FRST = High Temperature Sensor	SENS = Sensor
GARD = Coil Guard	SPEK = Single Source Power Entry
HALT = High Altitude Kit	STAT = Thermostat
HSDR = Optimized Sheave Accessory	STMT = Elapsed Time Meter
HSMT = Oversized Motor Kit or High Static Motor	TBKT = Thru Base Utility Kit
HTR = Electric Heater (Digit 7 is used to differentiate the products accessory is used with)	TEST = Test Accessory
ICSI = Board Communication Interface	TIME = ICS Interface Kit
	TXVA = Thermal Expansion Valve Kit
	TXVH = Thermal Expansion Valve Kit
	VDPR = Vent Damper
	WATR = Hot Water or Steam Coil
	2STG = 2 Stage Gas

**When identifying accessories please  
refer to WAVE94591.**

Parts List Number :YCD00444#YCDUP452

Model Number :YCD150E4LABC

Part No.	Reference No.	Quantity	Description
75012144_YCDUP452_147780~P	*		OPTIONAL FIELD INSTALLED ACCESSORIES PARTS LIST

75012144

REV  
B

OPTIONAL FIELD INSTALLED ACCESSORIES

ACCESSORY TYPE

ECON = Economizer	ISLT = Isolator
ASCT = Anti-Cycle Timer	KSKT = Start Accessory Kit
BARM = Barometric Relief	LEGS = Snow Legs
BASE = Base	LIFT = Roof Mount Kit
BURN = Burner	LOAM = Low Ambient
CTHI = Board-Convention Interface	LPKT = L.P. Kit
CURB = Roofcurb	MOTR = Low Ambient Motor Kit
CCHT = Crankcase Heater	NXKT = No Oxide Kit
DFSR = Air Diffuser	PLNM = Plenum
DMPR = SS Damper	PLUS = Plus One Kit
DNKT = Downflow Kit	PSMN = Power Supply Monitor Kit
FCCV = Flow Control Check Valve	PWRX = Power Exhaust
FLSW = Flow Switch	QACB = Quick Adapt Curb
FLTR = Filter	RLAY = Relay
FRST = High Temperature Sensor	SENS = Sensor
GARD = Coil Guard	SPEK = Single Source Power Entry
HALT = High Altitude Kit	STAT = Thermostat
HSDR = Optimized Sheave Accessory	STMT = Elapsed Time Meter
HSMT = Oversized Motor Kit or High Static Motor	TBKT = Thru Base Utility Kit
HTR = Electric Heater (Digit 7 is used to differentiate the products accessory is used with)	TEST = Test Accessory
ICSI = Board Communication Interface	TIME = ICS Interface Kit
	TXVA = Thermal Expansion Valve Kit
	TXVH = Thermal Expansion Valve Kit
	VDPR = Vent Damper
	WATR = Hot Water or Steam Coil
	2STG = 2 Stage Gas

**When identifying accessories please refer to WAVE94591 to select product catalog and identify the accessory.**

Parts List Number :YCD00444#YCDUP452

Model Number :YCD150E4LABC