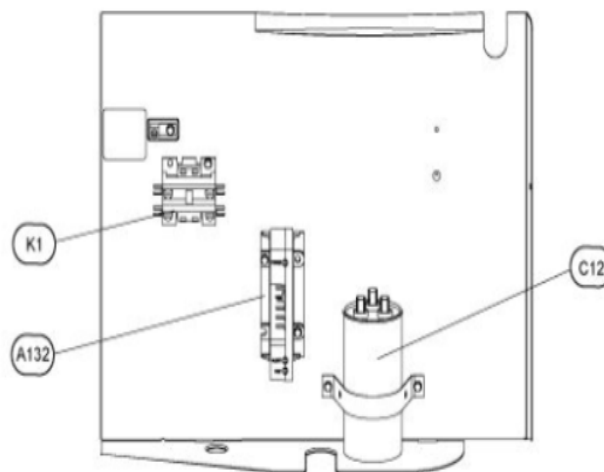
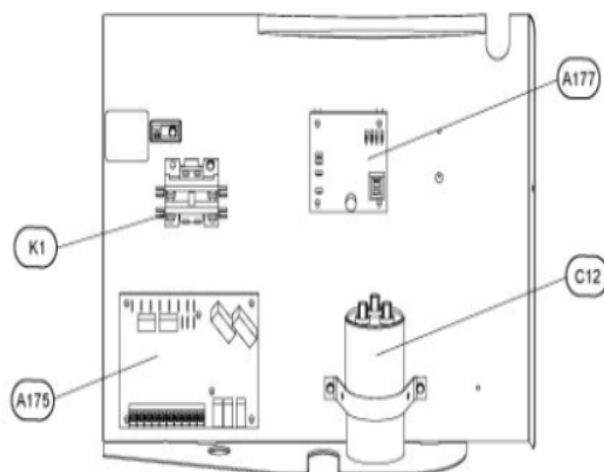


XC21 CONTROL PANEL

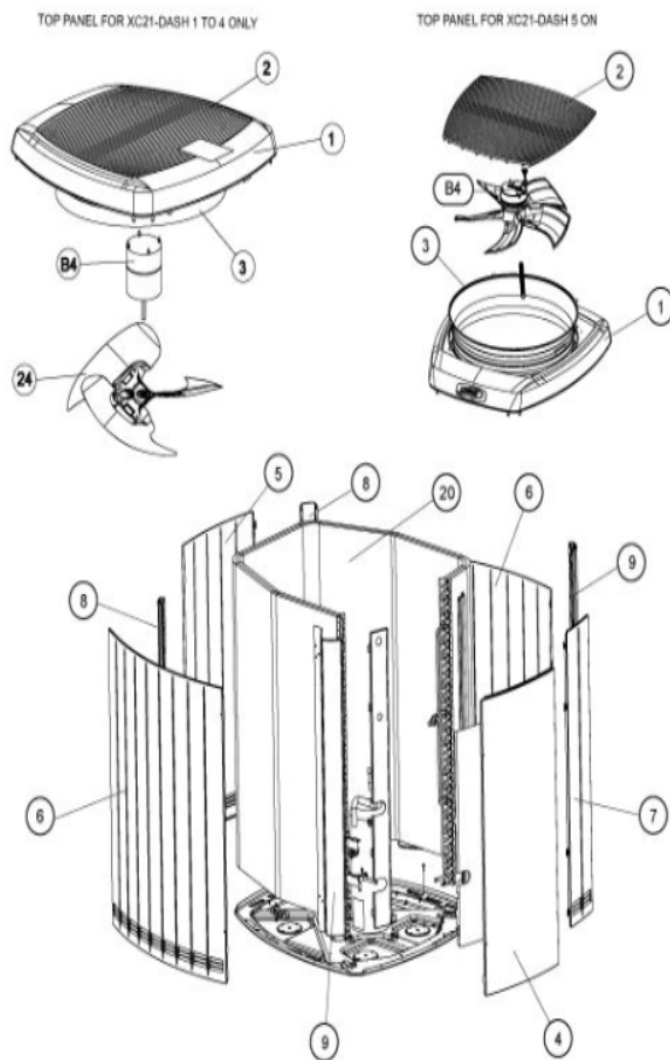
WITH LSOM CONTROL



WITH COMMUNICATING CONTROL

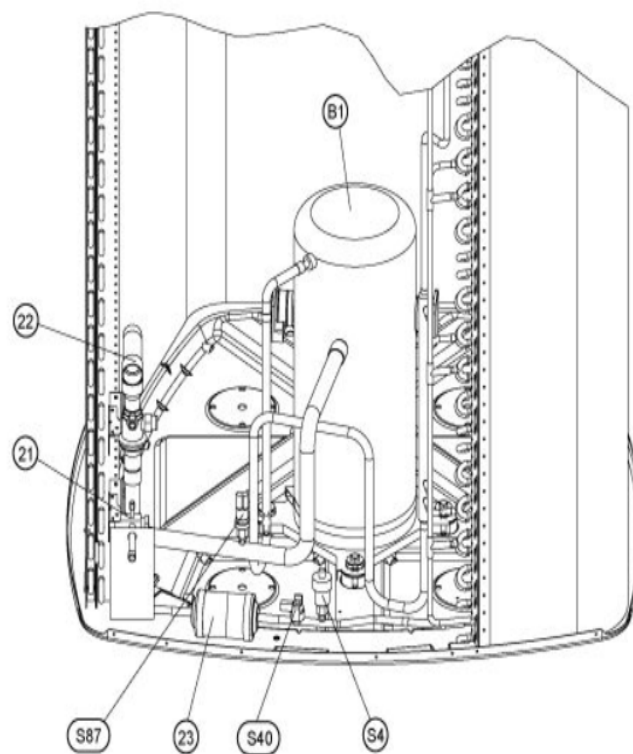


XC21 SERIES



XC21 SERIES

(XC21-060 SHOWN)



Revision Number - 10

*OPTIONAL PARTS-FIELD INSTALLED

Callout	Name	Quantity	Description
	RELAY POTENTIAL Cat #: 10B17 Model/Part #: 10B1701	1	SPNC
	CAPACITOR-START Cat #: 47A60 Model/Part #: 47A6001	1	88 + 108 MFD @ 330V ROUND
ST KT2	START KIT Cat #: 12J90 Model/Part #: LB-31200BN	1	INCL NEXT 2 PARTS

CABINET PARTS

Callout	Name	Quantity	Description
	NUT-CAP Cat #: 85M56 Model/Part #: 100094-01	4	8-32 HEX CAP NUT W/SERRATION
	LEG Cat #: 29W58 Model/Part #: 101263-01	2	LEG (LARGE BASE) (FRONT)
	LEG Cat #: 29W59 Model/Part #: 101263-02	2	LEG (LARGE BASE) (REAR)
	MULLION Cat #: 85M67 Model/Part #: LB-107711-42	1	MULLION - RIGHT
	PANEL-PIPING Cat #: 85M70 Model/Part #: LB-107712-42	1	PANEL - PIPING
1	ASSY-PANEL TOP LARGE Cat #: 96W65 Model/Part #: 103402-02	1	ASSY-PANEL TOP LARGE
2	GRILLE-DISCHARGE Cat #: 85M51 Model/Part #: 100028-01	1	GRILLE-DISCHARGE (LARGE)
3	ORIFICE LARGE 26.5 I.D. Cat #: 73W77 Model/Part #: 100002-03	1	ORIFICE LARGE 26.5 I.D.
4	ACCESS PANEL Cat #: 91W65 Model/Part #: LB-107709-42	1	PANEL SA-ACCESS
5	PANEL Cat #: 86M03 Model/Part #: LB-107755-42	1	PANEL - LOUVER (5 COLUMN)

Callout	Name	Quantity	Description
6	PANEL Cat #: 86M23 Model/Part #: LB-107759-42	2	PANEL - LOUVER (9 COLUMN)
7	PANEL-REAR Cat #: 85M88 Model/Part #: LB-107752-42	1	PANEL - LOUVER (2 COLUMN)
8	CORNER POST Cat #: 85M78 Model/Part #: LB-107737-42	2	FRONT CORNER POST
9	CORNER POST Cat #: 85M83 Model/Part #: LB-107738-42	2	REAR CORNER POST

CONTROL PANEL PARTS

Callout	Name	Quantity	Description
	SENSOR HARNESS Cat #: 63W59 Model/Part #: 101334-03	1	SENSOR DEFROST (HARNESS)
A175	KIT - iCOMFORT CONTROL Cat #: 10T56 Model/Part #: 605341-09	1	KIT - iCOMFORT CONTROL
C12	CAPACITOR-RUN 80 + 7.5 MFD @ 440V ROUND Cat #: 10W37 Model/Part #: 100335-33	1	CAPACITOR-RUN 80 + 7.5 MFD @ 440V ROUND
K1	CONTACTOR Cat #: 95M56 Model/Part #: 100438-02	1	CONTACTOR-1 POLE, 35A

COOLING PARTS

Callout	Name	Quantity	Description
	RELAY-OVERLOAD COMP-INTERNAL Cat #: Model/Part #:	1	
	CORE-VALVE Cat #: 95M48 Model/Part #: 100210-01	2	CORE - VALVE
	FITTING-PRESS TAP Cat #: 95M47 Model/Part #: 100520-01	2	FITTING - PRESSURE TAP (BRASS)
	HARNESS-COMPRESSOR Cat #: 15M35 Model/Part #: 15M3501	1	HARNESS-MOLDED PLUG 1PH
	HARNESS-COMP	1	HARNESS MOLDED

Callout	Name	Quantity	Description
	Cat #: 49M73 Model/Part #: 49M7301		PLUG (LOW VOLTAGE)
	MOUNT PKG-COMP Cat #: 54M63 Model/Part #: LB-106528	1	MOUNT PKG-COMP
	SUPPORT-COIL Cat #: 85M62 Model/Part #: LB-107705-42	1	COIL SUPPORT
	WRAPPER Cat #: 86M49 Model/Part #: LB-89684Y	1	COMP WRAPPER SA REPAIR PART
20	COIL-OUTDOOR Cat #: 72W37 Model/Part #: LB-110702G	1	W/MANIFOLD
21	VALVE-SERVICE Cat #: 85M52 Model/Part #: 100033-01	1	VALVE-SERVICE (LIQUID)
22	VALVE-BALL 1-1/8 X 7/8 (SANHUA) Cat #: 66W11 Model/Part #: 102831-03	1	VALVE-BALL 1-1/8 X 7/8 (SANHUA)
23	DRIER Cat #: 95M52 Model/Part #: 100214-03	1	LIQUID LINE (FOOTNOTE 1)
B1	COMPRESSOR Cat #: 92M49 Model/Part #: 100504-04	1	COMPRESSOR ZPS51K4E-130
B4	MOTOR w/FAN ASSY Cat #: 10K66 Model/Part #: 102803-04	1	SUBS TO 19U96 MOTOR AND 85M50 FAN BLADE
HR1	HEATER-CRANKCASE Cat #: 93M06 Model/Part #: 100499-03	1	"240V, 70 WATT"
S4	SWITCH-HI PRESS-AUTO Cat #: 86M36 Model/Part #: 100087-01	1	SWITCH-PRESSURE (HIGH)
S40	THERMOSTAT Cat #: 56M62 Model/Part #: 56M6201	1	CRANKCASE HEATER, OPEN 70F, CLOSE 50F
S87	SWITCH-LO PRESS-AUTO Cat #: 88M98 Model/Part #: 100087-03	1	PRESSURE SWITCH-LOW-AUTO RESET

Note:

FOOTNOTE 1: Compressor uses POE oil. The filter drier MUST BE replaced at time of compressor change. Please advise customer of this requirement at time of order. (The filter drier is excluded from the Lennox Quality Care Limited Warranty).