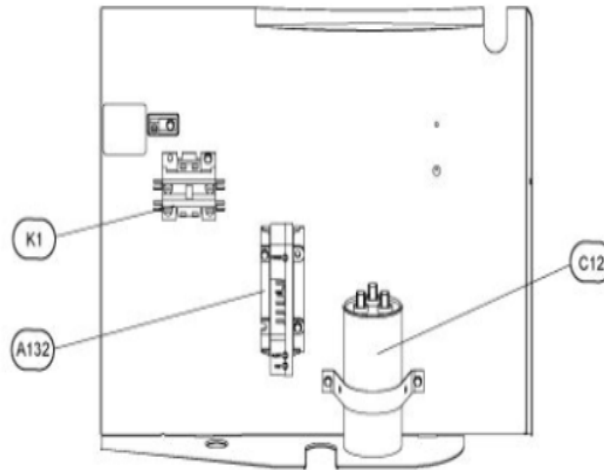
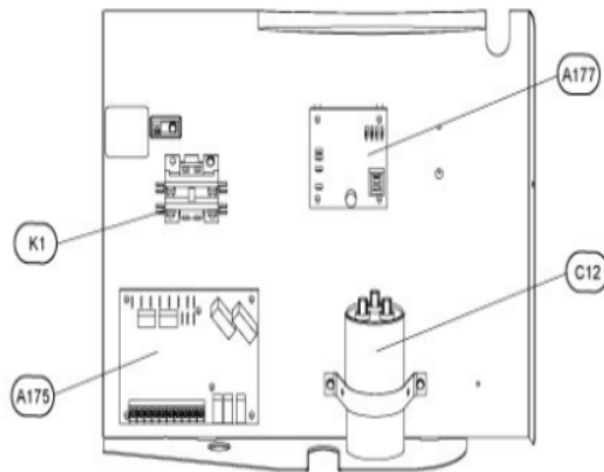


XC21 CONTROL PANEL

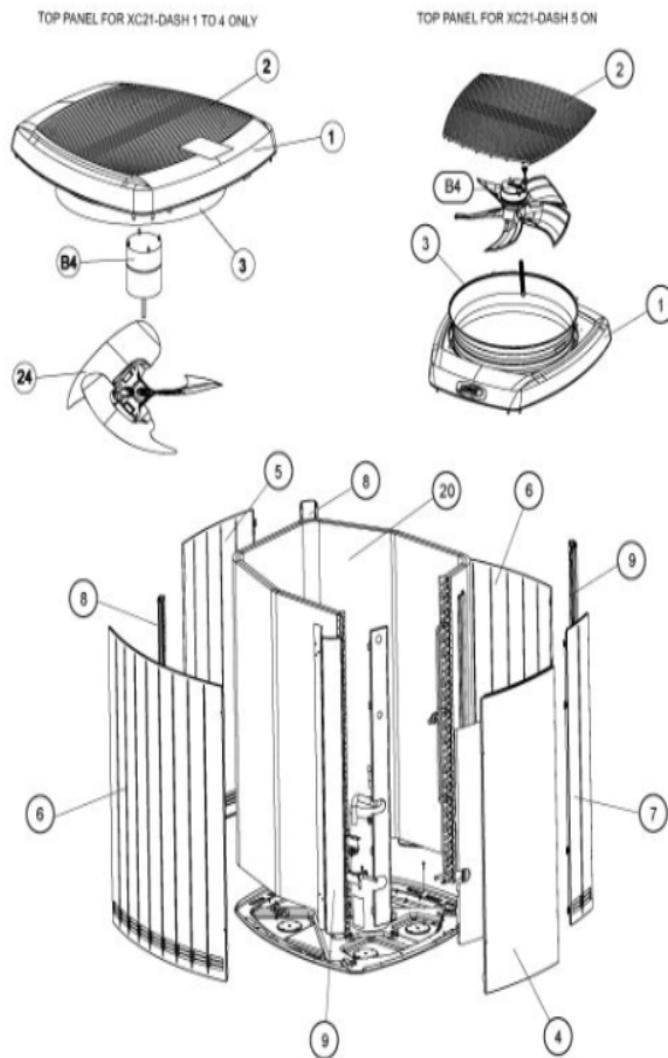
WITH LSOM CONTROL



WITH COMMUNICATING CONTROL



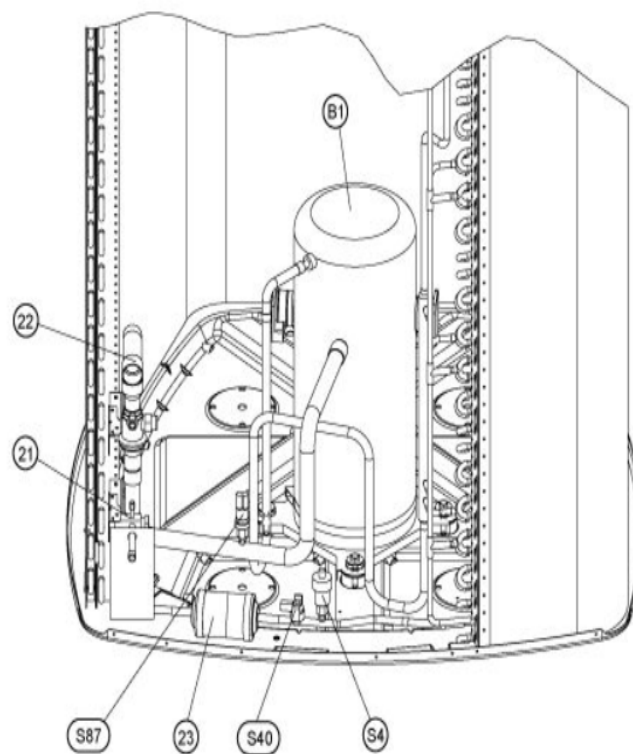
XC21 SERIES



COOLING-CONDENSING
PRODUCTION STARTED FEBRUARY, 2005

XC21 SERIES

(XC21-060 SHOWN)



Revision Number - 12

*OPTIONAL PARTS-FIELD INSTALLED

Callout	Name	Quantity	Description
	CAPACITOR-START Cat #: 47A60 Model/Part #: 47A6001	1	88 + 108 MFD @ 330V ROUND
	RELAY-POTENTIAL Cat #: 58327 Model/Part #: P-8-3577	1	SPNC
ST KIT	START-KIT Cat #: 10J42 Model/Part #: LB-31200BM	1	START KIT - INCL NEXT 2 PARTS

CABINET PARTS

Callout	Name	Quantity	Description
	NUT-CAP Cat #: 85M56 Model/Part #: 100094-01	4	8-32 HEX CAP NUT W/SERRATION
	LEG Cat #: 29W58 Model/Part #: 101263-01	2	LEG (LARGE BASE) (FRONT)
	LEG Cat #: 29W59 Model/Part #: 101263-02	2	LEG (LARGE BASE) (REAR)
	PANEL-PIPING Cat #: 13K21 Model/Part #: 608990-04	1	PANEL-PIPING
	MULLION Cat #: 85M67 Model/Part #: LB-107711-42	1	MULLION - RIGHT
1	ASSY-PANEL TOP LARGE Cat #: 96W65 Model/Part #: 103402-02	1	ASSY-PANEL TOP (LARGE)
2	GRILLE-DISCHARGE Cat #: 85M51 Model/Part #: 100028-01	1	GRILLE-DISCHARGE (LARGE)
3	ORIFICE LARGE 26.5 I.D. Cat #: 73W77 Model/Part #: 100002-03	1	ORIFICE LARGE 26.5 I.D.
4	ACCESS PANEL Cat #: 91W65 Model/Part #: LB-107709-42	1	PANEL SA-ACCESS
5	PANEL-ACCESS (LOUVER - 5) Cat #: 11Y74 Model/Part #: 613765-42	1	PANEL-ACCESS (LOUVER - 5)

Callout	Name	Quantity	Description
6	PANEL-ACCESS (LOUVER - 9) Cat #: 11Y77 Model/Part #: 613769-42	2	PANEL-ACCESS (LOUVER - 9)
7	PANEL-ACCESS (LOUVER - 2) Cat #: 13J95 Model/Part #: 613762-42	1	PANEL-ACCESS (LOUVER - 2)
8	CORNER POST Cat #: 85M78 Model/Part #: LB-107737-42	2	FRONT CORNER POST
9	CORNER POST Cat #: 85M83 Model/Part #: LB-107738-42	2	REAR CORNER POST

CONTROL PANEL PARTS

Callout	Name	Quantity	Description
	SENSOR HARNESS Cat #: 63W59 Model/Part #: 101334-03	1	SENSOR DEFROST (HARNESS)
A175	KIT iCOMFORT CONTROL Cat #: 16X41 Model/Part #: 605341-13	1	KIT iCOMFORT CONTROL
C12	CAPACITOR-FAN MTR Cat #: 89M77 Model/Part #: 100335-09	1	CAPACITOR 40 + 5 MFD @ 440V ROUND
K1	CONTACTOR 1PST 25A Cat #: 10F73 Model/Part #: 100438-04	1	CONTACTOR 1PST 25A

COOLING PARTS

Callout	Name	Quantity	Description
	RELAY-OVERLOAD COMP-INTERNAL Cat #: Model/Part #:	1	
	FAN Cat #: 85M49 Model/Part #: 100017-01	1	FAN ASSEMBLY 26IN-3 BLADE-24 PITCH
	CORE-VALVE Cat #: 95M48 Model/Part #: 100210-01	2	CORE - VALVE
	FITTING-PRESS TAP Cat #: 95M47 Model/Part #: 100520-01	2	FITTING - PRESSURE TAP (BRASS)

Callout	Name	Quantity	Description
	HARNESS-COMPRESSOR Cat #: 15M35 Model/Part #: 15M3501	1	HARNESS-MOLDED PLUG 1PH
	HARNESS-COMP Cat #: 49M73 Model/Part #: 49M7301	1	HARNESS MOLDED PLUG (LOW VOLTAGE)
	MOUNT PKG-COMP Cat #: 54M63 Model/Part #: LB-106528	1	MOUNT PKG-COMP
	SUPPORT-COIL Cat #: 85M62 Model/Part #: LB-107705-42	1	COIL SUPPORT
	WRAPPER Cat #: 86M49 Model/Part #: LB-89684Y	1	COMP WRAPPER SA REPAIR PART
20	ASSY - REPAIR PART (XC21 COIL) Cat #: 97W47 Model/Part #: LB-110702H	1	W/MANIFOLD
21	VALVE SERVICE 3/8 Cat #: 85M52 Model/Part #: 100033-02	1	VALVE SERVICE 3/8 (LIQUID)
22	VALVE-BALL 7/8 X 7/8 Cat #: 16U85 Model/Part #: 102831-10	1	VALVE-BALL 7/8 X 7/8 - SUCTION
23	DRIER Cat #: 95M52 Model/Part #: 100214-03	1	LIQUID LINE (FOOTNOTE 1)
B1	COMPRESSOR Cat #: 91W09 Model/Part #: 103137-02	1	COMPRESSOR ZPS30K5E-PFV-130
B4	MOTOR-FAN 1/3HP 208/230V 60HZ 1PH Cat #: 19U98 Model/Part #: 105984-01	1	MOTOR-FAN 1/3HP 208/230V 60HZ 1PH
HR1	HEATER-CRANKCASE Cat #: 93M04 Model/Part #: 100499-01	1	240V, 40 WATT
S4	SWITCH-HI PRESS-AUTO Cat #: 86M36 Model/Part #: 100087-01	1	SWITCH-PRESSURE (HIGH)
S40	THERMOSTAT Cat #: 56M62 Model/Part #: 56M6201	1	CC HEATER, OPEN 70F, CLOSE 50F
S87	SWITCH-LO PRESS-AUTO Cat #: 88M98 Model/Part #: 100087-03	1	PRESSURE SWITCH- LOW-AUTO RESET

Note:

FOOTNOTE 1 Compressor uses POE oil. The filter drier MUST BE replaced at time of compressor change. Please advise customer of this requirement at time of order. (The filter drier is excluded from the Lennox Quality Care Limited Warranty).