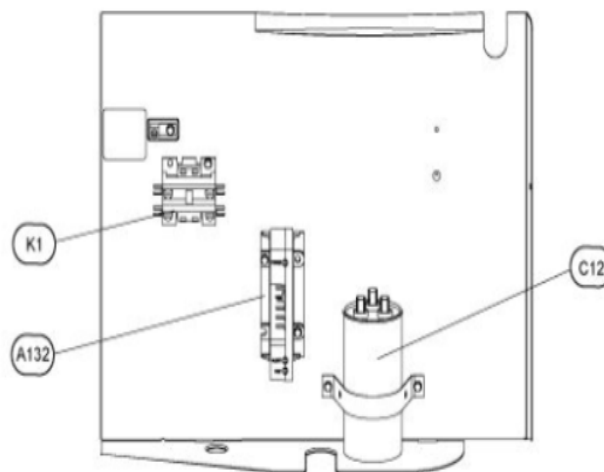
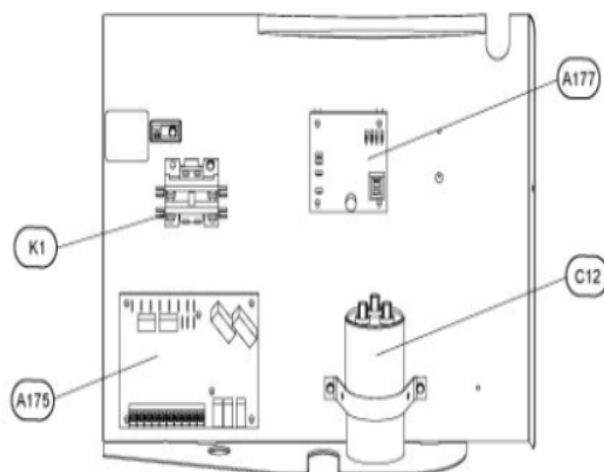


XC21 CONTROL PANEL

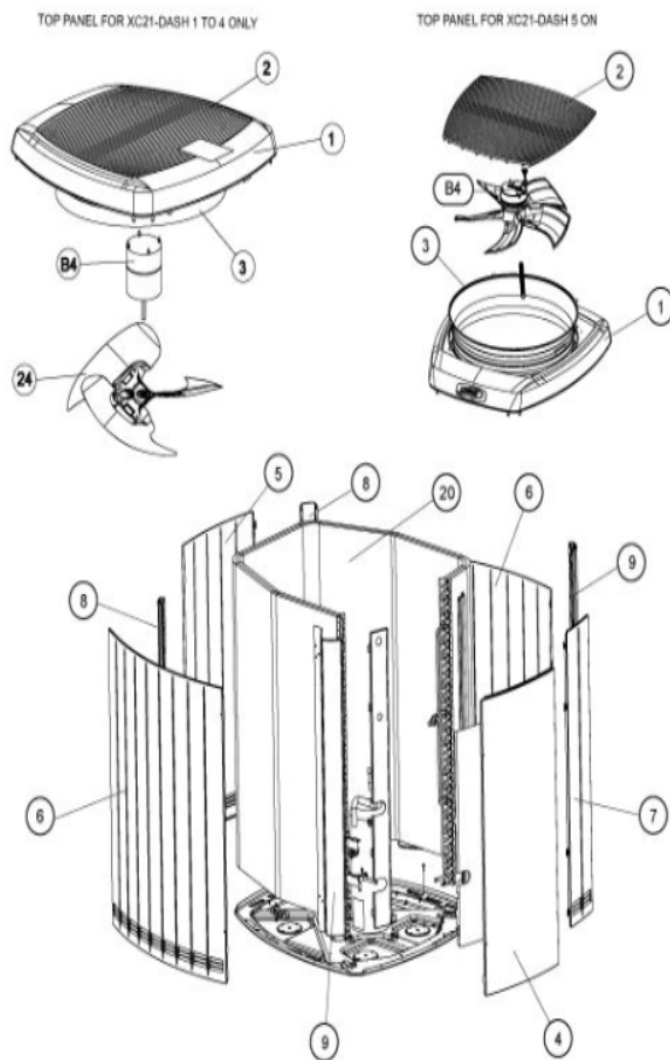
WITH LSOM CONTROL



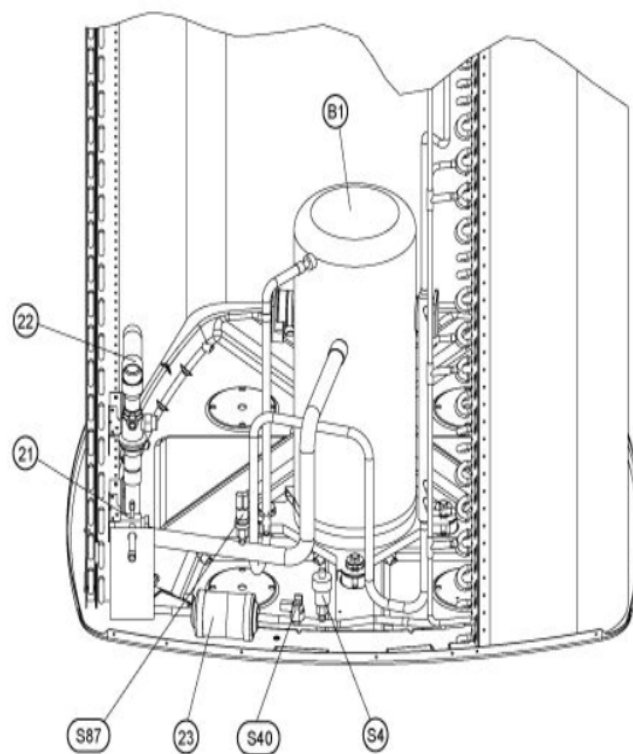
WITH COMMUNICATING CONTROL



XC21 SERIES



XC21 SERIES
(XC21-060 SHOWN)



Revision Number - 10

*OPTIONAL PARTS-FIELD INSTALLED

Callout	Name	Quantity	Description
	CAPACITOR-START Cat #: 47A60 Model/Part #: 47A6001	1	88 + 108 MFD @ 330V ROUND
	RELAY-POTENTIAL Cat #: 58327 Model/Part #: P-8-3577	1	SPNC
ST KIT	START KIT Cat #: 10J42 Model/Part #: 10J42	1	INCL NEXT 2 PARTS

CABINET PARTS

Callout	Name	Quantity	Description
	NUT-CAP Cat #: 85M56 Model/Part #: 100094-01	4	8-32 HEX CAP NUT W/SERRATION
	LEG Cat #: 29W58 Model/Part #: 101263-01	2	LEG (LARGE BASE) (FRONT)
	LEG Cat #: 29W59 Model/Part #: 101263-02	2	LEG (LARGE BASE) (REAR)
	MULLION Cat #: 85M67 Model/Part #: LB-107711-42	1	MULLION - RIGHT
	PANEL-PIPING Cat #: 85M70 Model/Part #: LB-107712-42	1	PANEL - PIPING
1	ASSY-PANEL TOP LARGE Cat #: 96W65 Model/Part #: 103402-02	1	ASSY-PANEL TOP (LARGE)
2	GRILLE-DISCHARGE Cat #: 85M51 Model/Part #: 100028-01	1	GRILLE-DISCHARGE (LARGE)
3	ORIFICE LARGE 26.5 I.D. Cat #: 73W77 Model/Part #: 100002-03	1	ORIFICE LARGE 26.5 I.D.
4	ACCESS PANEL Cat #: 91W65 Model/Part #: LB-107709-42	1	PANEL SA-ACCESS
5	PANEL Cat #: 86M03 Model/Part #: LB-107755-42	1	PANEL - LOUVER (5 COLUMN)

Callout	Name	Quantity	Description
6	PANEL Cat #: 86M23 Model/Part #: LB-107759-42	2	PANEL - LOUVER (9 COLUMN)
7	PANEL-REAR Cat #: 85M88 Model/Part #: LB-107752-42	1	PANEL - LOUVER (2 COLUMN)
8	CORNER POST Cat #: 85M78 Model/Part #: LB-107737-42	2	FRONT CORNER POST
9	CORNER POST Cat #: 85M83 Model/Part #: LB-107738-42	2	REAR CORNER POST

CONTROL PANEL PARTS

Callout	Name	Quantity	Description
	SENSOR HARNESS Cat #: 63W59 Model/Part #: 101334-03	1	SENSOR DEFROST (HARNESS)
A175	KIT - iCOMFORT CONTROL Cat #: 96W55 Model/Part #: 605341-08	1	KIT I-COMFORT CONTROL
C12	CAPACITOR-FAN MTR Cat #: 89M77 Model/Part #: 100335-09	1	40 + 5 MFD @ 440V ROUND
K1	CONTACTOR Cat #: 95M55 Model/Part #: 100438-01	1	CONTACTOR-1 POLE, 25A

COOLING PARTS

Callout	Name	Quantity	Description
	RELAY-OVERLOAD COMP-INTERNAL Cat #: Model/Part #:	1	
	CORE-VALVE Cat #: 95M48 Model/Part #: 100210-01	2	CORE - VALVE
	FITTING-PRESS TAP Cat #: 95M47 Model/Part #: 100520-01	2	FITTING - PRESSURE TAP (BRASS)
	HARNESS-COMPRESSOR Cat #: 15M35 Model/Part #: 15M3501	1	HARNESS-MOLDED PLUG 1PH
	HARNESS-COMP Cat #: 49M73 Model/Part #: 49M7301	1	HARNESS MOLDED PLUG (LOW

Callout	Name	Quantity	Description
			VOLTAGE)
	MOUNT PKG-COMP Cat #: 54M63 Model/Part #: LB-106528	1	MOUNT PKG-COMP
	SUPPORT-COIL Cat #: 85M62 Model/Part #: LB-107705-42	1	COIL SUPPORT
	WRAPPER Cat #: 86M49 Model/Part #: LB-89684Y	1	COMP WRAPPER SA REPAIR PART
20	ASSY - REPAIR PART (XC21 COIL) Cat #: 97W47 Model/Part #: LB-110702H	1	W/MANIFOLD
21	VALVE-SERVICE Cat #: 85M52 Model/Part #: 100033-01	1	VALVE-SERVICE (LIQUID)
22	VALVE-BALL SERVICE 7/8 X 7/8 Cat #: 77W34 Model/Part #: 102831-05	1	VALVE-BALL 7/8 X 7/8 (SANHUA)
23	DRIER Cat #: 95M52 Model/Part #: 100214-03	1	LIQUID LINE (FOOTNOTE 1)
B1	COMPRESSOR Cat #: 91W09 Model/Part #: 103137-02	1	COMPRESSOR ZPS30K5E-PFV- 130(NOTE 1)
B4	MOTOR w/FAN ASSY Cat #: 10K66 Model/Part #: 102803-04	1	SUBS TO 19U98 MOTOR AND 85M49 FAN BLADE
HR1	HEATER-CRANKCASE Cat #: 93M04 Model/Part #: 100499-01	1	"240V, 40 WATT"
S4	SWITCH-HI PRESS-AUTO Cat #: 86M36 Model/Part #: 100087-01	1	SWITCH-PRESSURE (HIGH)
S40	THERMOSTAT Cat #: 56M62 Model/Part #: 56M6201	1	"CC HEATER, OPEN 70F, CLOSE 50F"
S87	SWITCH-LO PRESS-AUTO Cat #: 88M98 Model/Part #: 100087-03	1	PRESSURE SWITCH- LOW-AUTO RESET

Note:

FOOTNOTE 1 Compressor uses POE oil. The filter drier MUST BE replaced at time of compressor change. Please advise customer of this requirement at time of order. (The filter drier is excluded from the Lennox Quality Care Limited Warranty).