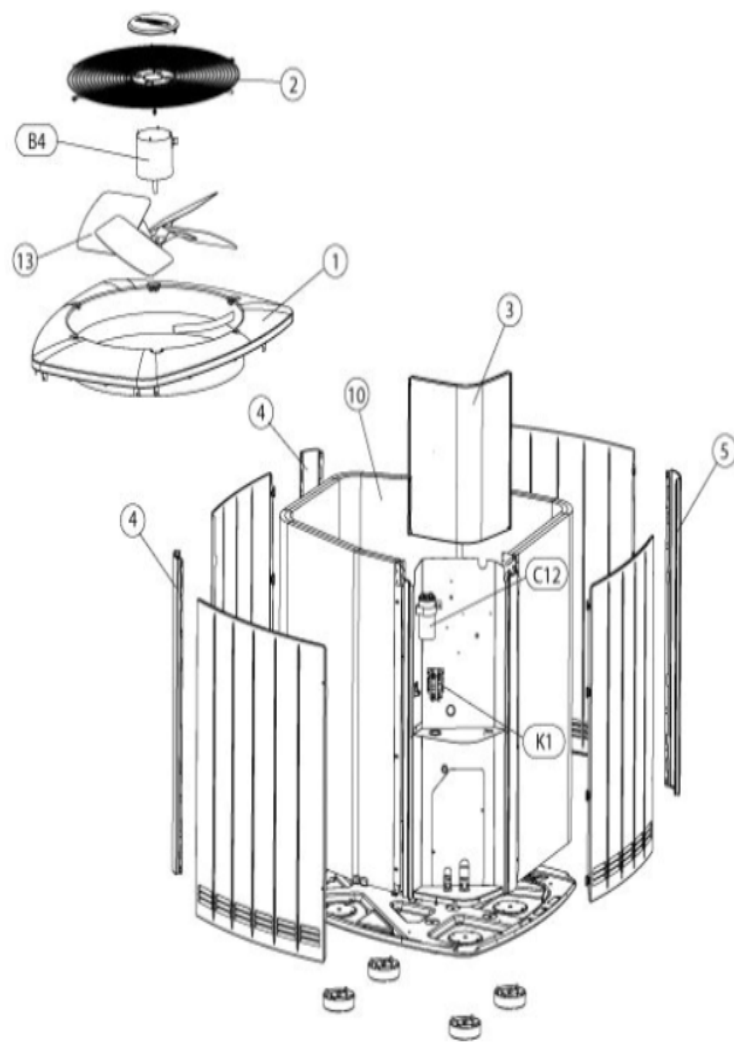


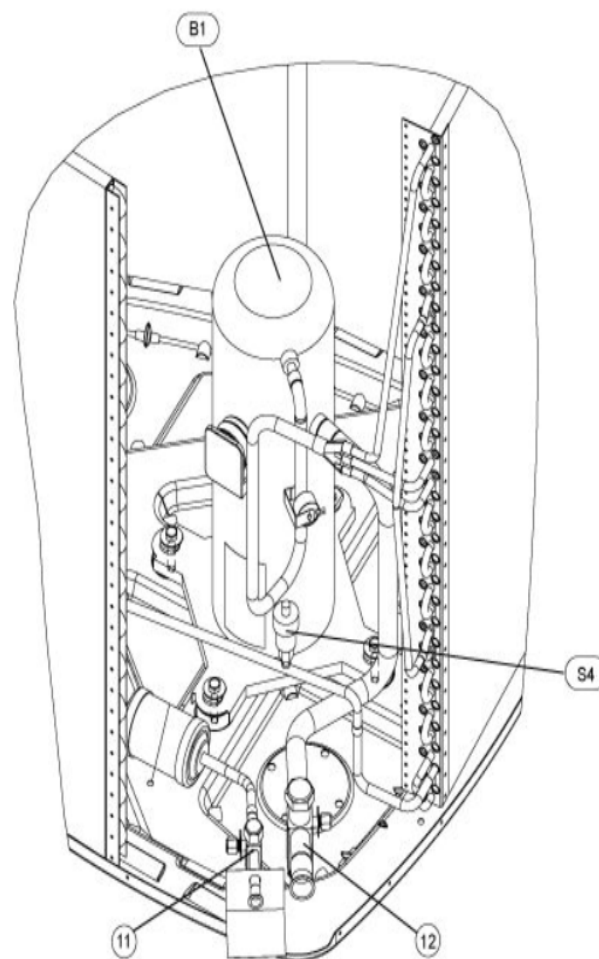
XC13 SERIES



COOLING-CONDENSING
JULY, 2005

XC13 SERIES

XC13-060 SHOWN (OTHERS SIMILAR)



Revision Number - 10

*OPTIONAL PARTS-FIELD INSTALLED

| Callout | Name | Quantity | Description |
|---------|---|----------|---|
| | SWITCH-PRESS Cat #: 84M96 Model/Part #: 100216-01 | 1 | "LOSS OF CHARGE, OUT 25 PSIG, IN 55 PSI |
| | CAPACITOR-START Cat #: 63A06 Model/Part #: 63A0601 | 1 | "176-216 MFD, 320 VAC" |
| | TEE Cat #: LB-53109D Model/Part #: LB-53109D | 1 | DEPRESSOR TEE |
| | RELAY-POTENTIAL Cat #: 58327 Model/Part #: P-8-3577 | 1 | SPNC |
| LC KIT | LOSS OF CHARGE KIT Cat #: 84M23 Model/Part #: LB-110135A | 1 | INCL NEXT 2 PARTS |
| ST KIT | START KIT Cat #: 88M91 Model/Part #: LB-31200BAR | 1 | INCL NEXT 2 PARTS |

CABINET PARTS

| Callout | Name | Quantity | Description |
|---------|---|----------|------------------------------------|
| | LEG Cat #: 85M47 Model/Part #: 100007-01 | 4 | BASE |
| | NUT-CAP Cat #: 85M56 Model/Part #: 100094-01 | 4 | NUT 8-32 HEX CAP |
| | COVER Cat #: 43W20 Model/Part #: 600368-01G | 1 | PLATE - PATCH |
| | PANEL-ACCESS (LOUVER - 4) Cat #: 12U40 Model/Part #: 613764-24 | 3 | PANEL - ACCESS (LOUVER-4) |
| | PANEL-ACCESS (LOUVER - 6) Cat #: 12U49 Model/Part #: 613766-24 | 1 | PANEL - ACCESS (LOUVER - 6) |
| | COVER Cat #: 69J03 Model/Part #: 69J0301 | 1 | SOUND- COMPRESSOR (OPTIONAL) |

| Callout | Name | Quantity | Description |
|---------|---|----------|---------------------------|
| 1 | PANEL-TOP (SMALL) Cat #: 12Y10 Model/Part #: 613103-01 | 1 | PANEL-TOP (SMALL) |
| 2 | GRILLE-DISCHARGE Cat #: 97M68 Model/Part #: 100062-01 | 1 | GRILLE (DISCHARGE) |
| 3 | COVER-CONTROL BOX Cat #: 97M73 Model/Part #: LB-108274 | 1 | COVER-CONTROL BOX (SMALL) |
| 4 | CORNER POST Cat #: 85M74 Model/Part #: LB-107737-24 | 2 | FRONT |
| 5 | CORNER POST Cat #: 85M79 Model/Part #: LB-107738-24 | 1 | REAR |

CONTROL PANEL PARTS

| Callout | Name | Quantity | Description |
|---------|---|----------|-------------------------|
| C12 | CAPACITOR-FAN&RUN Cat #: 89M74 Model/Part #: 100335-06 | 1 | "35+5MFD,440VAC(ROUND)" |
| K1 | CONTACTOR Cat #: 95M55 Model/Part #: 100438-01 | 1 | "SPST,24V" |

COOLING PARTS

| Callout | Name | Quantity | Description |
|---------|---|----------|--|
| | CORE-VALVE Cat #: 95M48 Model/Part #: 100210-01 | 1 | CORE - VALVE |
| | DRIER Cat #: 95M52 Model/Part #: 100214-03 | 1 | LIQUID LINE (FOOTNOTE 1) |
| | KIT Cat #: 97M75 Model/Part #: 100484-08 | 1 | RFC4 (.057) |
| | THERMOSTAT Cat #: 97M59 Model/Part #: 100503-02 | 1 | THERMOSTAT SPST OPEN@220°F CLOSE@180°F |
| | FITTING-PRESS TAP Cat #: 95M47 Model/Part #: 100520-01 | 1 | FITTING - PRESSURE TAP (BRASS) |

| Callout | Name | Quantity | Description |
|----------------|--|-----------------|---|
| | HARNES-COMPRESSOR MOLDED PLUG Cat #: 14R26 Model/Part #: 104162-01 | 1 | HARNES-COMPRESSOR MOLDED PLUG |
| | DRIER Cat #: 88K44 Model/Part #: 88K4401 | 1 | DRIER |
| | MOUNT PKG-COMP Cat #: 54M63 Model/Part #: LB-106528 | 1 | MOUNT PKG-COMP |
| 10 | COIL-OUTDOOR Cat #: 41W25 Model/Part #: LB-110660AC | 1 | ASSY - REPAIR PART (COIL) |
| 11 | VALVE SERVICE 3/8 Cat #: 10M23 Model/Part #: 103881-01 | 1 | VALVE SERVICE 3/8 LIQUID LINE |
| 12 | VALVE SERVICE 3/4 Cat #: 10M24 Model/Part #: 103881-02 | 1 | VALVE SERVICE 3/4 SUCTION LINE |
| 13 | FAN Cat #: 98M18 Model/Part #: 100060-07 | 1 | "1/2"BORE,18"DIA,3 BLADE" |
| B1 | COMPRESSOR APG020KAC Cat #: 13H93 Model/Part #: 104161-02 | 1 | COMPRESSOR APG020KAC |
| B4 | MOTOR-FAN 1/10 HP 208-230 VOLT Cat #: 12F49 Model/Part #: 100483-41 | 1 | MOTOR-FAN 1/10HP, 1075 RPM,208-230/60/1 |
| HR1 | HEATER-CRANKCASE Cat #: 93M04 Model/Part #: 100499-01 | 1 | "240V, 40 WATT (OPTIONAL)" |
| S4 | SWITCH-HI PRESS-AUTO Cat #: 93W01 Model/Part #: 100087-12 | 1 | SWITCH-HI PRESS-AUTO |

Note:

FOOTNOTE 1: Compressor uses POE oil. The filter drier MUST BE replaced at time of compressor change. Please advise customer of this requirement at time of order. (The filter drier is excluded from the Lennox Quality Care,, Limited Warranty).