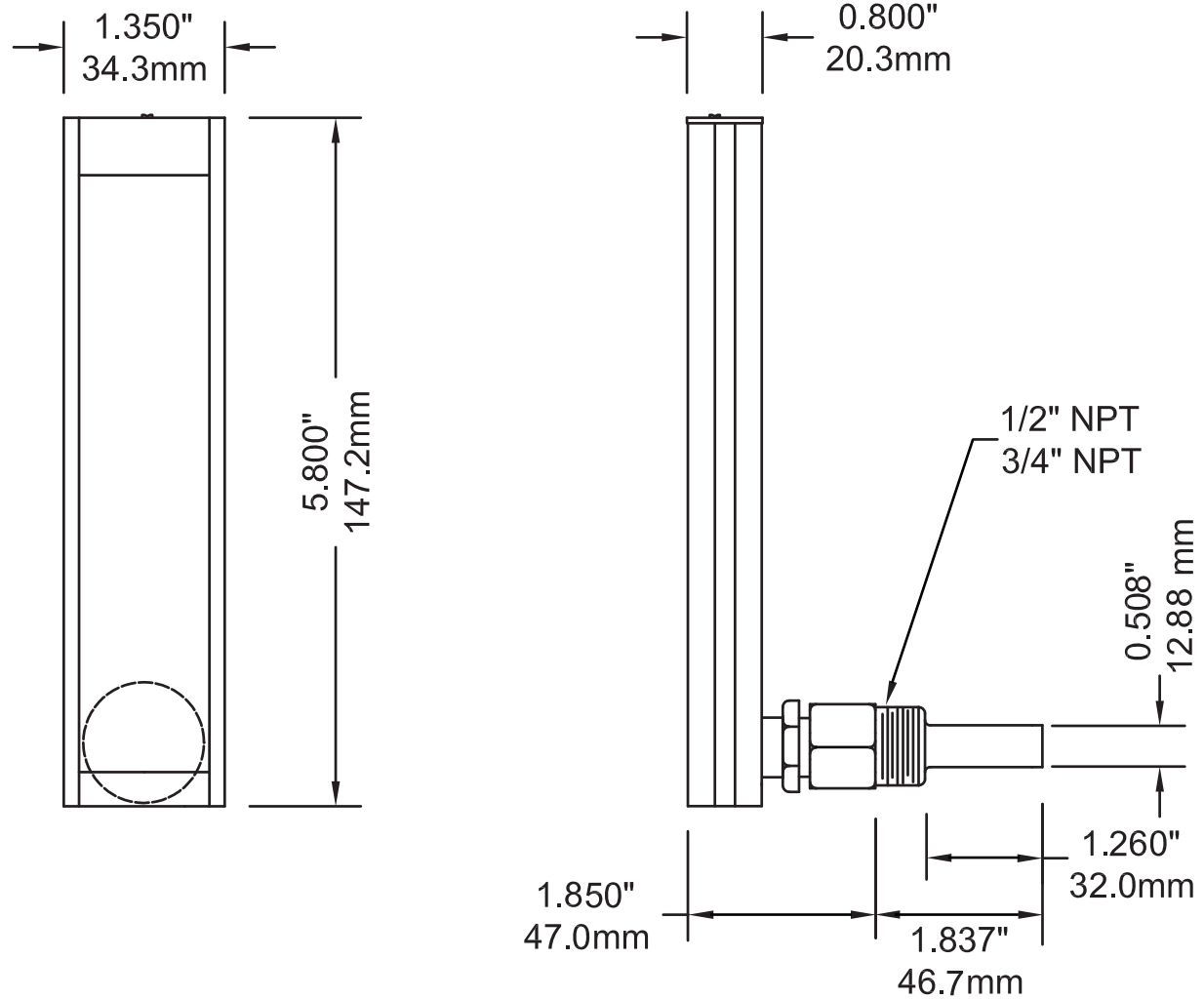


Ambient Temp: -40°F to 122°F (-40°C to 50°C)  
 Process Temperature: -40°F to 400°F (-40°C to 200°C)  
 Case: Black ABS plastic  
 Lens: Glass  
 Dial: Aluminum  
 Tube: Glass, tinted red kerosene fill  
 Thermowell: Brass  
 Accuracy: ±2% of full scale  
 Enclosure Rating: IP50



DRAWN BY: ROBIN LUGTU

ENG. APPROVAL: DR



ALL DIMENSIONS IN INCHES/MM

TOLERANCES (unless otherwise stated)	
Fractional:	$\frac{1}{64}$ " 0.4mm
Decimal:	0.06" 1.5mm

REVISION # & DATE: #4, Apr. 02, 2015

TITLE:

INDUSTRIAL 5AS, ANGLE CONNECTION

DRAWING NO: TAS-A-020-B-2-N