

Case Material: AISI 304 stainless steel

Lens Material: Polycarbonate

Ring: AISI 304 stainless steel, crimp-on

Socket: Brass or AISI 316SS

Bourdon Tube: Phosphor Bronze or AISI 316SS

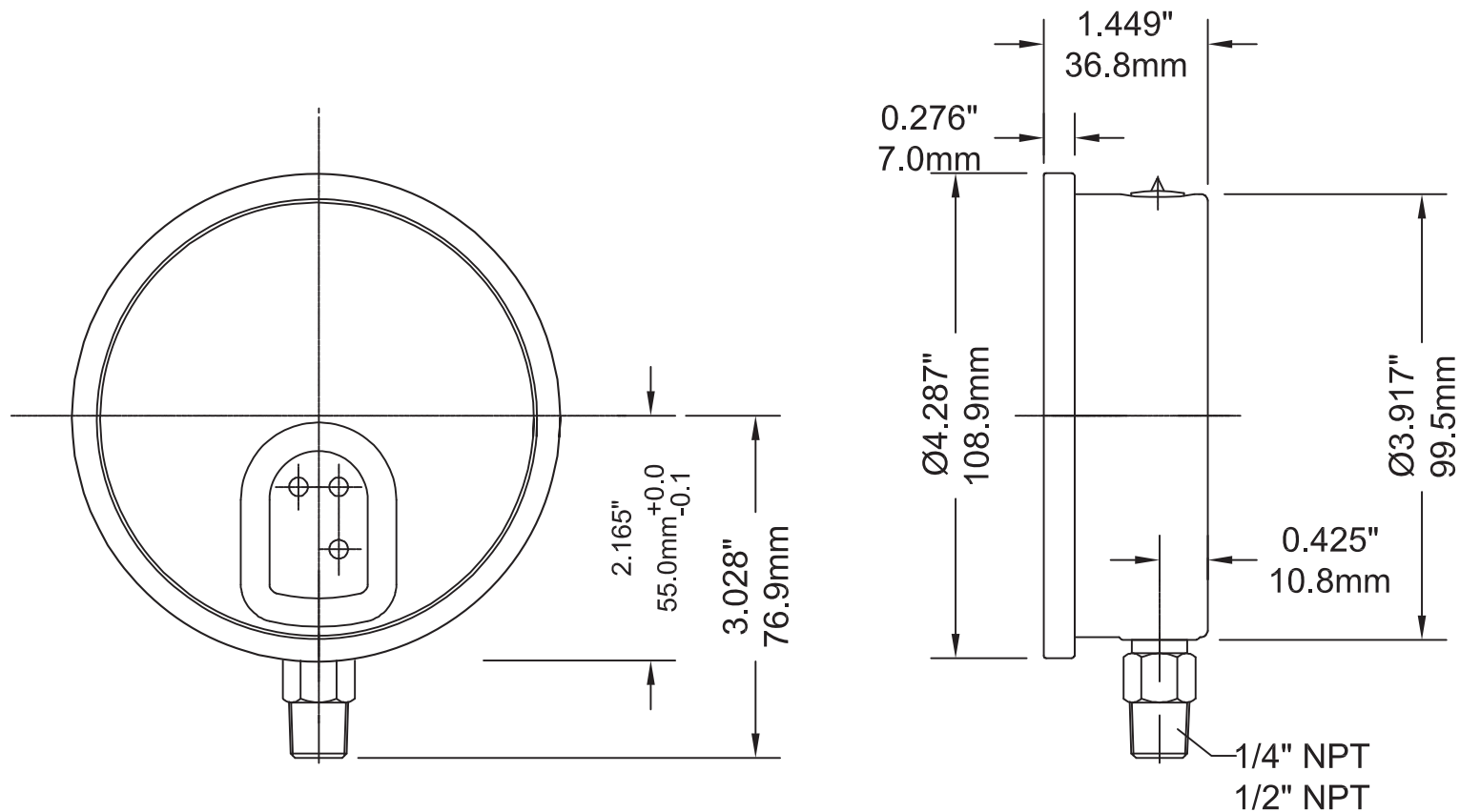
Movement: Brass or SS

Accuracy: $\pm 1.5\%$

Ambient Temp. Limits Glycerin Fill: -4°F to 150°F (-20°C to 65°C) . Option: Silicone fill -40C to 200C (-40F to 392F)

Process Temp. Limits Glycerin Fill: -4°F to 150°F (-20°C to 65°C). Option :Silicone Fill -40C to 200c (-40f to 392F)

Enclosure Rating: IP65



DRAWN BY: DAVID REAY

ENG. APPROVAL:

ALL DIMENSIONS IN INCHES/MM

TOLERANCES
(unless otherwise stated)

Fractional: $\frac{1}{64}"$ 0.4mm

Decimal: 0.06" 1.5mm

REVISION No AND DATE: 1, Sept 7 2011

TITLE:

4" STAINLESS LIQUID FILLED GAUGE,
BTM CONN

DRAWING NO: PFQ-40-T-Z-A