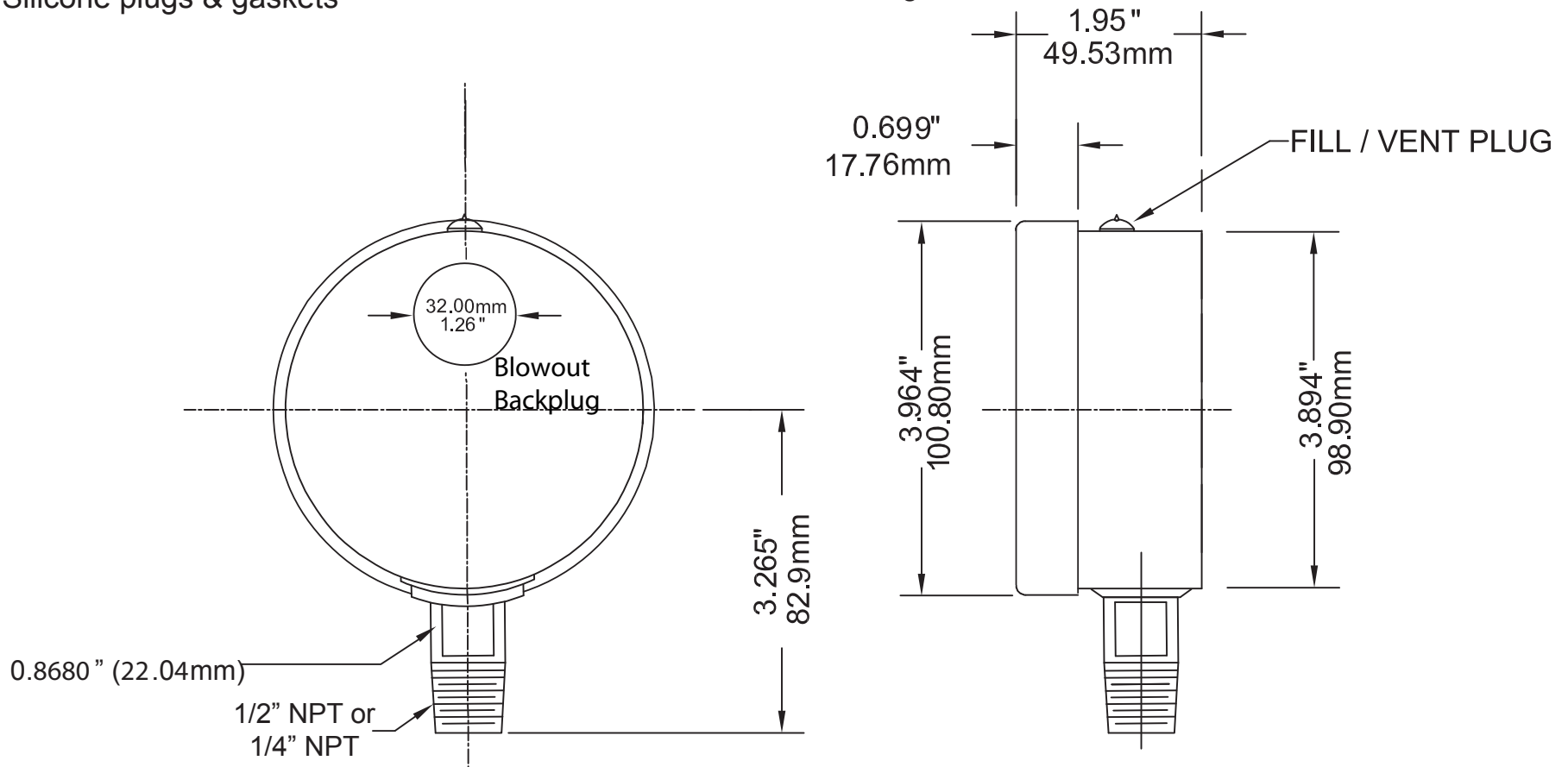


Case Material: AISI 304 stainless steel
 Lens Material: Polycarbonate
 Ring: 304 stainless steel, bayonet mount
 Socket: 316L SS stainless steel, one-piece welded construction
 Tube: 316L SS
 Movement: Stainless steel
 Lens Ring Gasket: Buna-N (NBR)
 Blow-out Plug: Buna-N (NBR)
 Fill Plug: Buna-N (NBR)
 Option: Silicone plugs & gaskets

Accuracy: $\pm 1\%$ ANSI/ASME Grade 1A
 Ambient Temp. Limits, Stainless Steel Internals: -40°F to 250°F
 (-40°C to 120°C) Dry; -4°F to 150°F (-20°C to 65°C) Glycerin Filled
 Ambient Temp. Limits, Brass Internals: -40°F to 200°F (-40°C to 93°C) Dry; -4°F to 150°F (-20°C to 65°C) Glycerin Filled
 Process Temp. Limits, Stainless Steel Internals: -40°F to 250°F (-40°C to 120°C)
 Process Temp. Limits, Brass Internals: -40°F to 200°F (-40°C to 93°C)
 Enclosure Rating: IP66



DRAWN BY: ROBIN LUGTU

ENG. APPROVAL: DR

ALL DIMENSIONS IN INCHES/MM

TOLERANCES (unless otherwise stated)	
Fractional:	$\frac{1}{64}''$ 0.4mm
Decimal:	0.06" 1.5mm

REVISION No AND DATE: #6, July 7, 2017.

TITLE:

4" PREMIUM GAUGE, BOTTOM CONNECTION

DRAWING NO: PFP-40-T-S-A