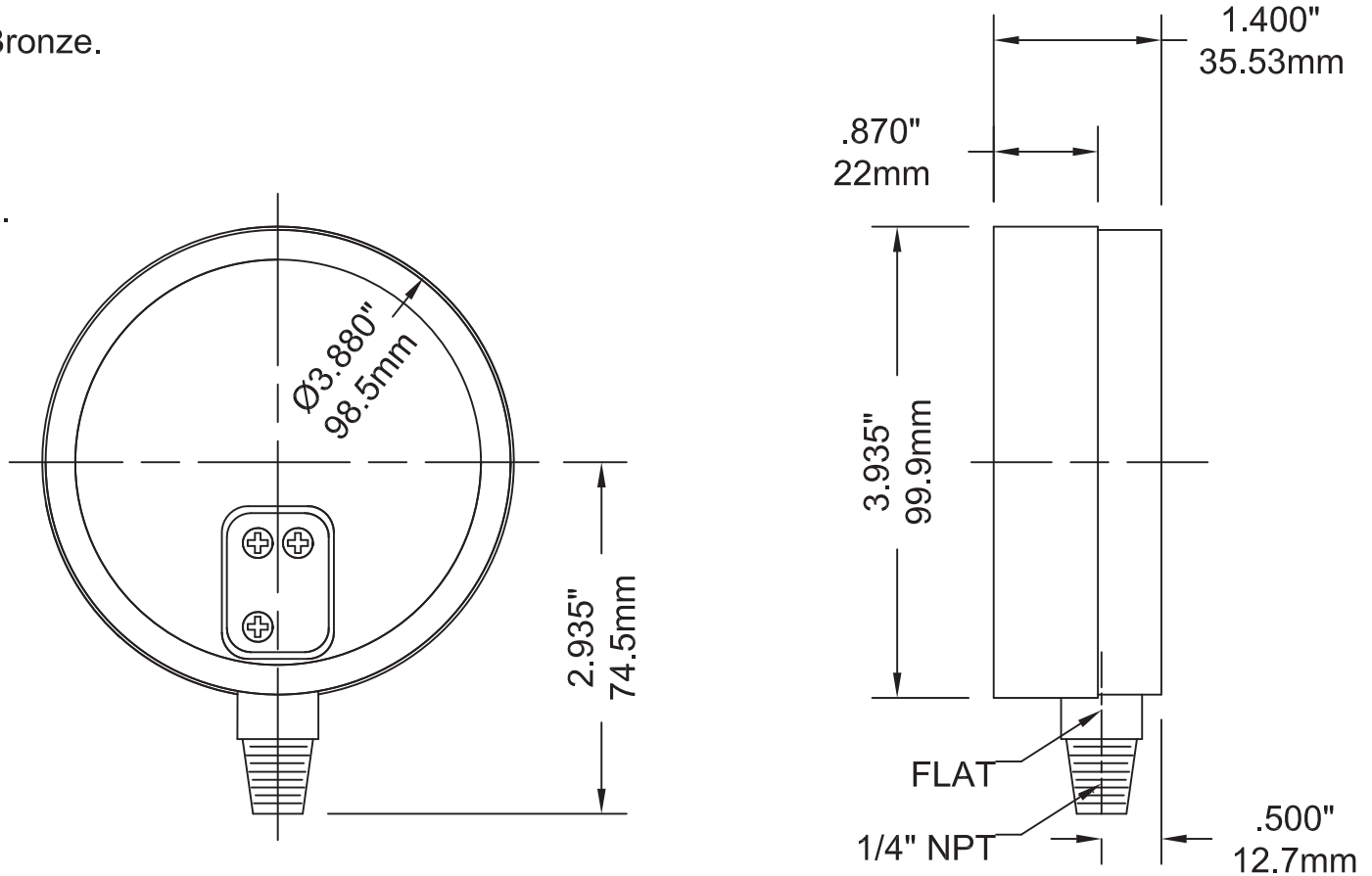


Ambient Temperature: -40°F to 150°F (-40°C to +65°C).
 Process Temperature: -40°F to 150°F (-40°C to +65°C).
 Case: Steel, painted black.
 Bezel: Polished Brass.
 Lens: Glass.
 Dial: Aluminum.
 Bourdon Tube: Phosphor Bronze.
 Movement: Brass.
 Socket: Brass.
 Welding: Silver Alloy.
 Accuracy: ±1% of full scale.
 Enclosure: IP52.



DRAWN BY: PHOEBE MA

ENG. APPROVAL:

ALL DIMENSIONS IN INCHES/MM

TOLERANCES (unless otherwise stated)	
Fractional:	$\frac{1}{64}''$ 0.4mm
Decimal:	0.06" 1.5mm

REVISION No. & DATE: Jan. 08, 2009

TITLE:

3.5" 100 SERIES GAUGE, BOTTOM CONNECTION

DRAWING NO: P1S-35-Y-B-A