



SECTION 7

Parts

Parts

Replacement Parts

⚠ WARNING

- Replacement parts must be purchased through a local Weil-McLain distributor. When ordering, specify boiler model and size and include description and part number of replacement part. Results from using modified or other manufactured parts will not be covered by warranty and may damage boiler or impair operation.
- The boiler contains ceramic fiber and fiberglass materials. Use care when handling these materials per instructions on [page 92](#) of this manual. Failure to comply could result in severe personal injury.

NOTICE

Weil-McLain part numbers are found in this **Replacement parts section**.

Miscellaneous Optional Kits

not shown	Outdoor Temperature Sensor - Wired	381-356-586
not shown	Outdoor Temperature Sensor - Wireless	384-000-325
not shown	Antifreeze, Sentinel X500, 1 Gallon	592-900-029
not shown	Antifreeze, Sentinel X500, 5 Gallon	592-900-006
not shown	Corrosion Inhibitor, Sentinel X100	592-900-002
not shown	Sentinel X100 Quick Test Kit	592-900-005
not shown	Cleaner, Sentinel X400 (1 gallon)	592-900-028

Gas Conversion Kits

not shown	Conversion Kit Propane Gas to Natural Gas	CGi 25	510-812-006
		CGi 3	510-812-053
		CGi 4	510-812-049
		CGi 5	510-812-017
		CGi 6	510-812-008
		CGi 7, 8	510-812-009
not shown	Conversion Kit Natural Gas to Propane Gas	CGi 25	510-812-002
		CGi 3	510-812-012
		CGi 4	510-812-048
		CGi 5	510-812-014
		CGi 6	510-812-004
		CGi 7, 8	510-812-005





Replacement Parts (continued)

High Altitude Conversion Kits - Natural Gas		
not shown	CGi 7,8 2,000 to 4,999 Feet	510-812-018
	CGi 7,8 5,000 to 6,999 Feet	510-812-019
	CGi 7,8 7,000 to 8,999 Feet	510-812-020
	CGi 7,8 9,000 to 10,000 Feet	510-812-021
not shown	CGi 6 2,000 to 4,999 Feet	510-811-966
	CGi 6 5,000 to 6,999 Feet	510-811-967
	CGi 6 7,000 to 8,999 Feet	510-811-968
	CGi 6 9,000 to 10,000 Feet	510-811-969
not shown	CGi 5 2,000 to 3,999 Feet	510-812-024
	CGi 5 4,000 to 6,999 Feet	510-812-025
	CGi 5 7,000 to 8,999 Feet	510-812-026
	CGi 5 9,000 to 10,000 Feet	510-812-027
not shown	CGi 4 2,000 to 3,999 Feet	510-812-110
	CGi 4 4,000 to 6,999 Feet	510-812-111
	CGi 4 7,000 to 8,999 Feet	510-812-112
	CGi 4 9,000 to 10,000 Feet	510-812-113
not shown	CGi 3 2,000 to 3,999 Feet	510-811-954
	CGi 3 4,000 to 6,999 Feet	510-811-955
	CGi 3 7,000 to 8,999 Feet	510-811-956
	CGi 3 9,000 to 10,000 Feet	510-811-957
not shown	CGi 25 2,000 to 4,999 Feet	510-811-950
	CGi 25 5,000 to 6,999 Feet	510-811-951
	CGi 25 7,000 to 8,999 Feet	510-811-952
	CGi 25 9,000 to 10,000 Feet	510-811-953

High Altitude Conversion Kits - Propane		
not shown	CGi 7,8 2,000 to 6,999 Feet	510-812-022
	CGi 7,8 7,000 to 10,000 Feet	510-812-023
not shown	CGi 6 2,000 to 6,999 Feet	510-811-978
	CGi 6 7,000 to 10,000 Feet	510-811-979
not shown	CGi 5 2,000 to 6,999 Feet	510-812-028
	CGi 5 7,000 to 10,000 Feet	510-812-029
not shown	CGi 4 2,000 to 6,999 Feet	510-812-114
	CGi 4 7,000 to 10,000 Feet	510-812-115
not shown	CGi 3 2,000 to 6,999 Feet	510-811-972
	CGi 3 7,000 to 10,000 Feet	510-811-973
not shown	CGi 25 2,000 to 6,999 Feet	510-811-970
	CGi 25 7,000 to 10,000 Feet	510-811-971

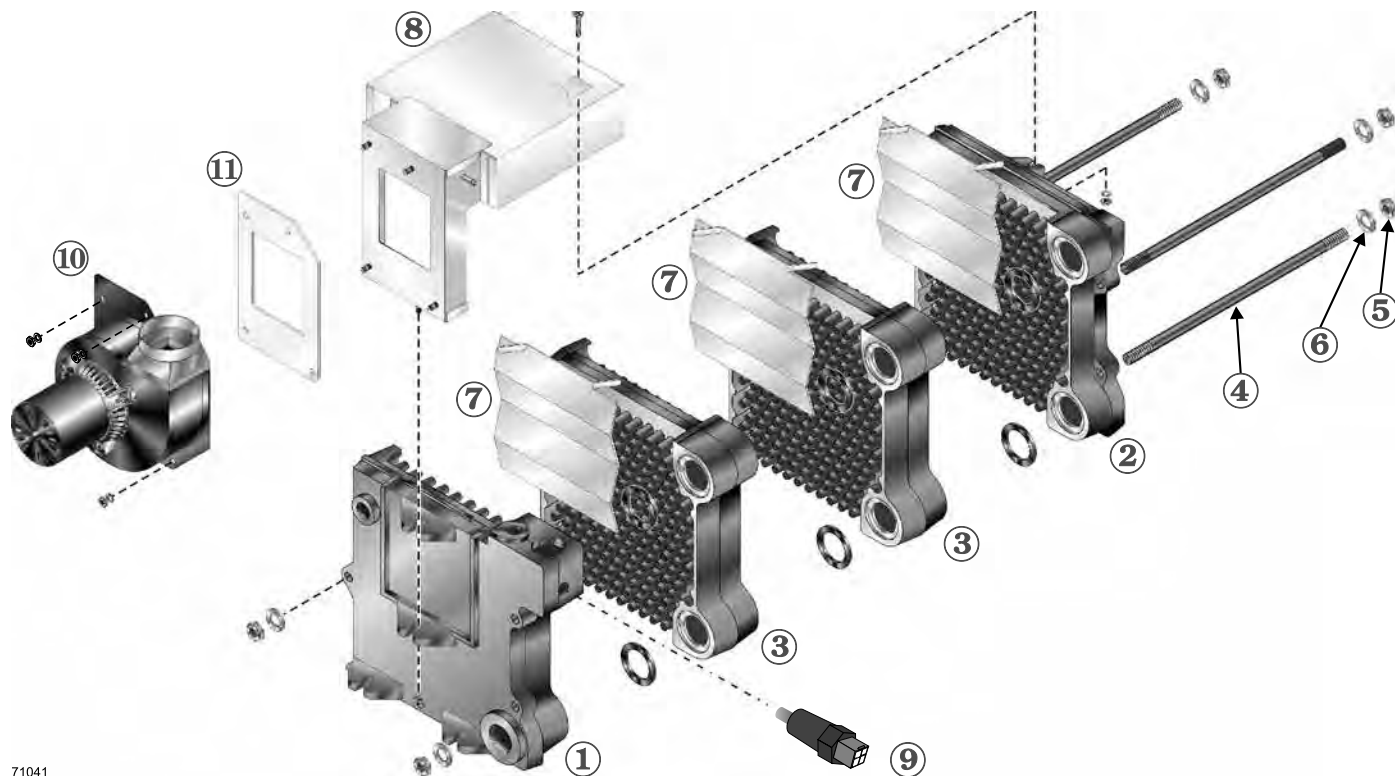
7



Parts (continued)

Section Assembly

Figure 42 Section assembly



71041

Item	Description	Weil-McLain part number
1	End section, left hand, 51124	311-103-851
2	End section, right hand 51128	311-103-821
3	Intermediate section, 51127	311-103-845
not shown	Replacement section assembly	CGi-25 and CGi-3 321-114-360 CGi-4 321-114-361 CGi-5 321-114-362 CGi-6 321-114-363 CGi-7 321-114-364 CGi-8 321-114-365
not shown	Section replacement kit, includes seals and sealant for 1 joint	381-354-527
4	Tie rod, 7/16" without nut (3 per boiler):	CGi-25 and CGi-3 560-234-500 CGi-4 560-234-501 CGi-5 560-234-502 CGi-6 560-234-503 CGi-7 560-234-504 CGi-8 560-234-505
5	Nut, 7/16" (2 per tie rod)	561-928-235

Item	Description	Weil-McLain part number
6	Washer, 7/16" (1 per tie rod)	562-248-684
7	Radiation plate (1 per joint)	CGi 4-8 460-003-017
8	Collector hood and transition assembly	CGi-25 381-359-286 CGi-3 381-359-287 CGi-4 381-359-288 CGi-5 381-359-498 CGi-6 381-359-290 CGi-7 381-359-478 CGi-8 381-359-479
9	Temperature/LWCO Sensor	381-356-589
10	Inducer fan assembly kit, includes inducer fan assembly, gasket and nuts	CGi 25 & 3 381-354-588 CGi 4-6 381-359-295 CGi 7 & 8 381-359-294
11	Gasket, inducer	590-317-627

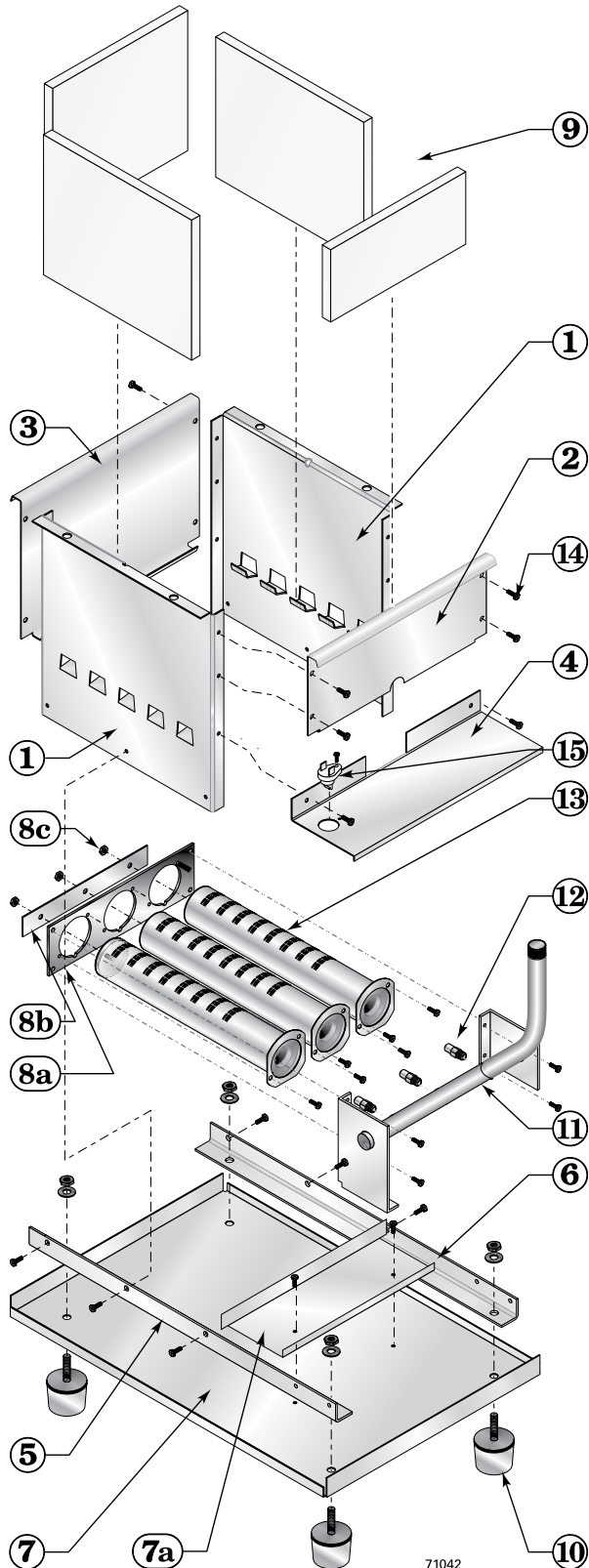




Parts (continued)

Base

Figure 43 Base assembly, manifold, orifices and burners



Item	Description	Weil-McLain part number
	Base assembly kit (includes base panels items 1, 2, 3, 4, 5, 6 and 7)	CGI-25 & CGI-3 381-354-337 CGI-4 381-354-338 CGI-5 381-354-339 CGI-6 381-354-340 CGI-7 381-359-502 CGI-8 381-359-503
1	Base side panel (in Base assembly)	
2	Base front cross-tie assembly (in Base assembly)	
3	Base back cross-tie assembly (in Base assembly)	
4	Burner shield (in Base assembly)	
5	Base pan angle, left side (in Base assembly)	
6	Base pan angle, right side (in Base assembly)	
7	Base pan (in Base assembly)	
7a	Base pan air baffle (in Base assembly)	
8a	Burner mounting plate	CGI-25 & CGI-3 450-003-690 CGI-4 450-003-691 CGI-5 450-003-692 CGI-6 450-003-693 CGI-7 450-003-795 CGI-8 450-003-796
8b	Rear spacing strip	CGI-25 & CGI-3 550-320-160 CGI-4 550-320-161 CGI-5 550-320-162 CGI-6 550-320-163 CGI-7 550-320-164 CGI-8 550-320-165
8c	Nut, hex 5mm Zp	550-320-170
9	Base insulation kit	CGI-25 & CGI-3 381-354-330 CGI-4 381-354-331 CGI-5 381-354-332 CGI-6 381-354-333 CGI-7 381-354-334 CGI-8 381-354-335
10	Boiler leg kit	550-320-219
11	Manifold	CGI-25 & CGI-3 591-126-735 CGI-4 591-126-736 CGI-5 591-126-737 CGI-6 591-126-738 CGI-7 591-126-739 CGI-8 591-126-740
12	Main burner orifice — Natural gas, sea level (see Table 4, page 16 for orifice size) CGI-25 CGI-3, 4 CGI-5 CGI-6-8 Main burner orifice — Propane gas, sea level (see Table 4, page 16 for orifice size) CGI-25 CGI-3 CGI-4 CGI-5 CGI-6-8	560-529-083 560-529-081 560-529-126 560-529-079 560-529-084 560-529-080 560-529-999 560-529-111 560-529-078
13	Burner	512-200-076
14	Screw, 10-32 x 0.38 STP type 23 hex, washer head slot	562-135-710
15	Rollout thermal fuse element	512-050-230

7

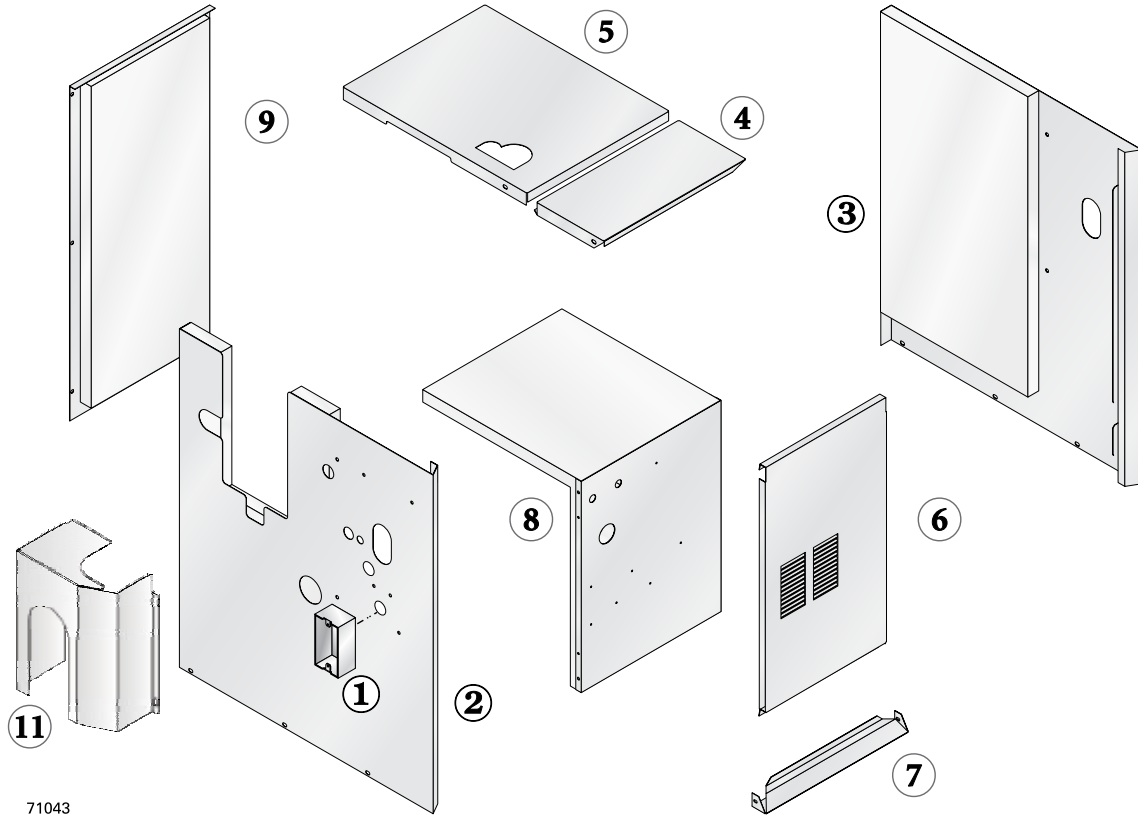
71042



Parts (continued)

Jacket

Figure 44 Jacket assembly



71043

Boiler Model	1	2		3	4	5	Boiler Model
	Junction box, 2 x 4	Panel, left side, with insulation		Panel, right side, with insulation	Panel, top front, with insulation	Panel, top rear, with insulation	
		Natural Gas	Propane Gas				
Weil-McLain part number							
CGi-25	(Available at local supply house)	381-359-463	381-359-470	381-359-229	381-359-230	381-359-242	CGi-25
CGi-3		381-359-464	381-359-471	381-359-229	381-359-230	381-359-242	CGi-3
CGi-4		381-359-465	381-359-472	381-359-229	381-359-231	381-359-243	CGi-4
CGi-5		381-359-466	381-359-473	381-359-229	381-359-232	381-359-244	CGi-5
CGi-6		381-359-467	381-359-474	381-359-229	381-359-233	381-359-245	CGi-6
CGi-7		381-359-468	381-359-475	381-359-229	381-359-234	381-359-246	CGi-7
CGi-8		381-359-469	381-359-466	381-359-229	381-359-235	381-359-247	CGi-8
Boiler Model		6	7	8	9	10	11
	Panel, door	Cross tie, bottom front	Panel, interior, with insulation	Panel, rear, with insulation	Not shown — touch-up paint	Blower cover	
	Weil-McLain part number						
CGi-25	381-359-254	381-359-260	381-359-266	381-359-272	381-359-278 Cloud	381-359-200	CGi-25
CGi-3	381-359-254	381-359-260	381-359-266	381-359-272			384-000-141 Slate
CGi-4	381-359-547	381-359-261	381-359-543	381-359-273	CGi-4		
CGi-5	381-359-256	381-359-262	381-359-268	381-359-274	CGi-5		
CGi-6	381-359-257	381-359-263	381-359-269	381-359-275	CGi-6		
CGi-7	381-359-258	381-359-264	381-359-500	381-359-276	CGi-7		
CGi-8	381-359-259	381-359-265	381-359-501	381-359-277	CGi-8		

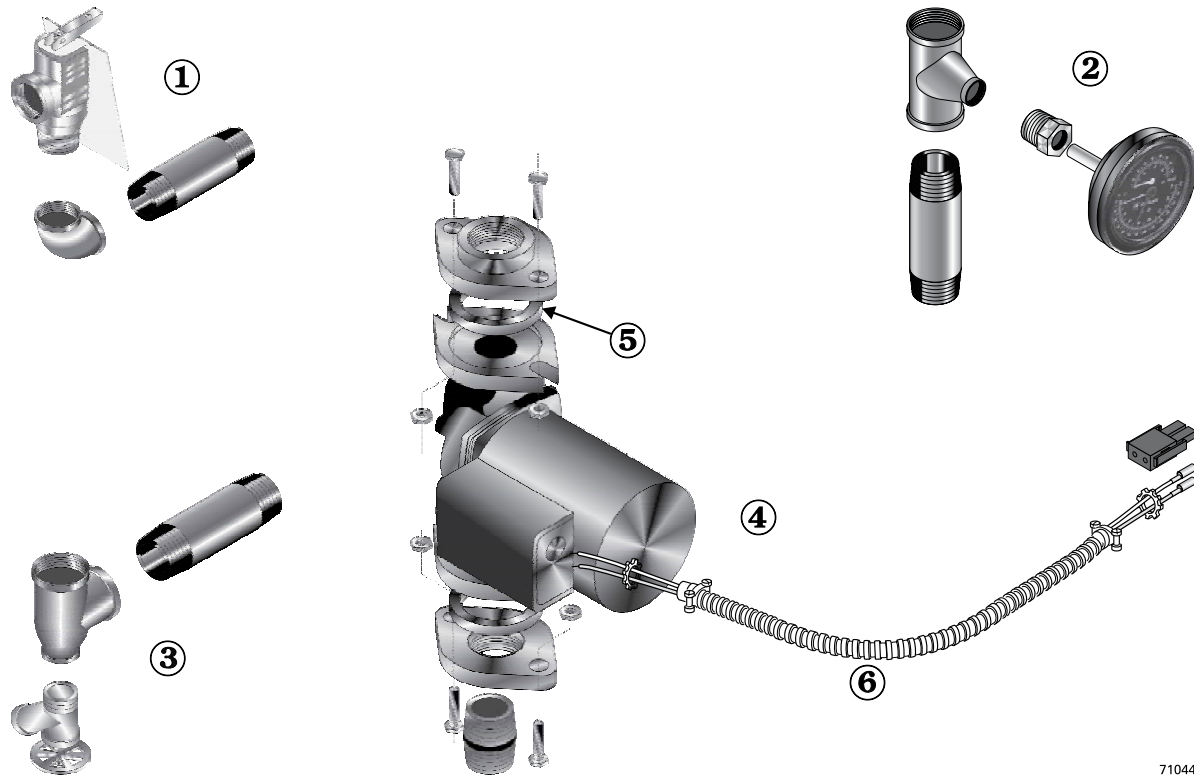




Parts (continued)

Trim

Figure 45 Trim assembly



71044

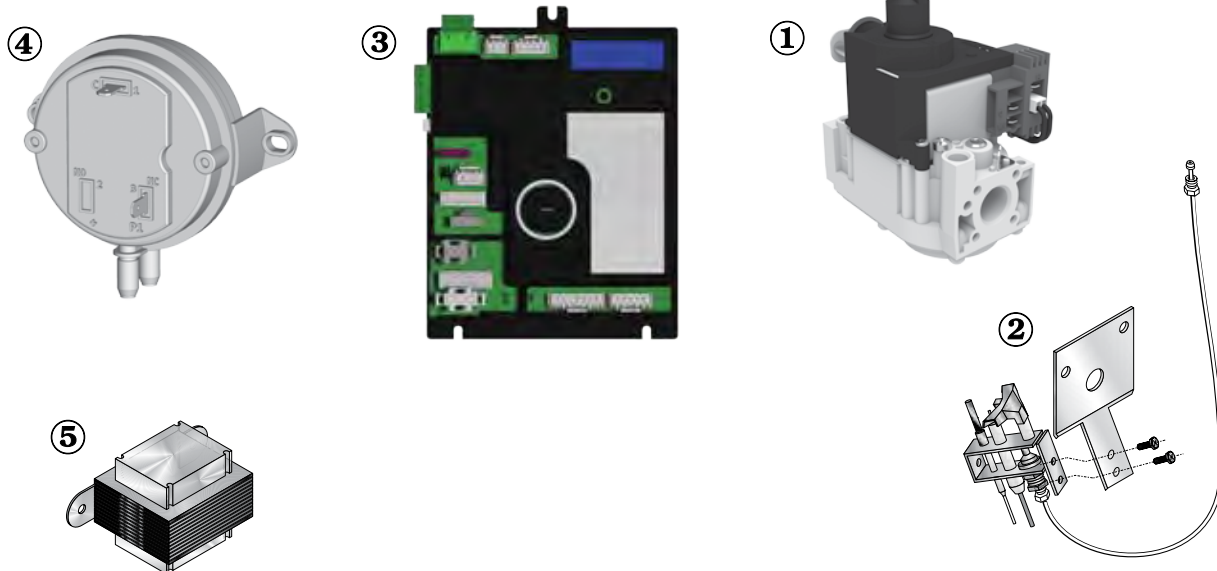
Item number	Description	Weil-McLain part number
1	Pressure relief valve, ASME, 30 PSIG, 3/4" male inlet (Fittings shown are factory-installed on boiler.)	383-500-095
2	Combination pressure-temperature gauge, 3 7/8" diameter, short shank (Fittings shown are shipped loose with boiler.)	380-000-000
3	Drain valve, 3/4" (Fittings shown are included with boiler.)	511-210-423 511-246-392
4	Circulator (Fittings shown are shipped loose with boiler.)	CGi-25 through CGi-5 511-405-153 CGi-6 511-405-113
5	Circulator gasket, universal (2 per boiler)	590-317-535
not shown	Circulator hardware kit, includes: 1 flange, 2 nuts, 2 screws, 1 gasket —	
	3/4" NPT — CGi-25	381-354-530
	1" NPT — CGi-3 through CGi-5	381-354-525
	1 1/4" NPT — CGi-6-7	381-354-526
	1 1/2" NPT — CGi-8	381-354-531
6	Circulator wiring harness kit, with Molex (loose)	381-356-528



Parts (continued)

Spark Ignited Controls

Figure 46 Gas control components



Item number	Description	Boiler model	Weil-McLain part number
Natural gas components			
1	Gas Valve, 1/2" x 1/2" Gas Valve, 1/2" x 1/2" Gas Valve, 3/4" x 3/4"	CGi-25, -3, -5, & -6 CGi-4 CGi-7 thru 8.....	511-044-381 381-359-545 383-301-325
2	Pilot Kit w/Orifice & Aluminum Pilot Gas Tubing		511-330-080
Propane gas components			
1	Gas Valve, 1/2" x 1/2" Gas Valve, 1/2" x 1/2" Gas Valve, 3/4" x 3/4"	CGi-25, -3, -5, & -6 CGi-4 CGi-7 thru 8.....	511-044-354 381-359-546 381-359-536
2	Pilot kit w/orifice & aluminum pilot gas tubing		511-330-081
Natural gas and propane gas components			
3	Control Module		383-301-211
not shown	Wiring Harness - Gas Valve/Rollout Switch	CGi-25, -3, -5, & -6 CGi-4, -7, & -8.....	381-359-440 381-359-506
4	Air Pressure Switch	CGi-25 CGi-3 CGi-4 CGi-5 CGi-6 CGi-7 CGi-8.....	381-359-280 381-359-300 381-359-544 381-359-499 381-359-283 381-359-504 381-359-505
5	Control Transformer		383-500-628
not shown	Tubing, Air Pressure Switch, 0.12 I.D. silicone red, to collector hood white, to transition.....		590-317-650 590-317-651
not shown	Wiring Harness - J-Box to Control Module		381-359-447
not shown	Terminal Block, Thermostat Wiring		381-359-430
not shown	Wiring Harness - Water Temperature / LWCO Sensor		381-359-438
not shown	Wiring Harness - Inducer motor to Control Module		591-391-980
not shown	Wiring Harness - Pressure Switch to Control Module		381-359-448