

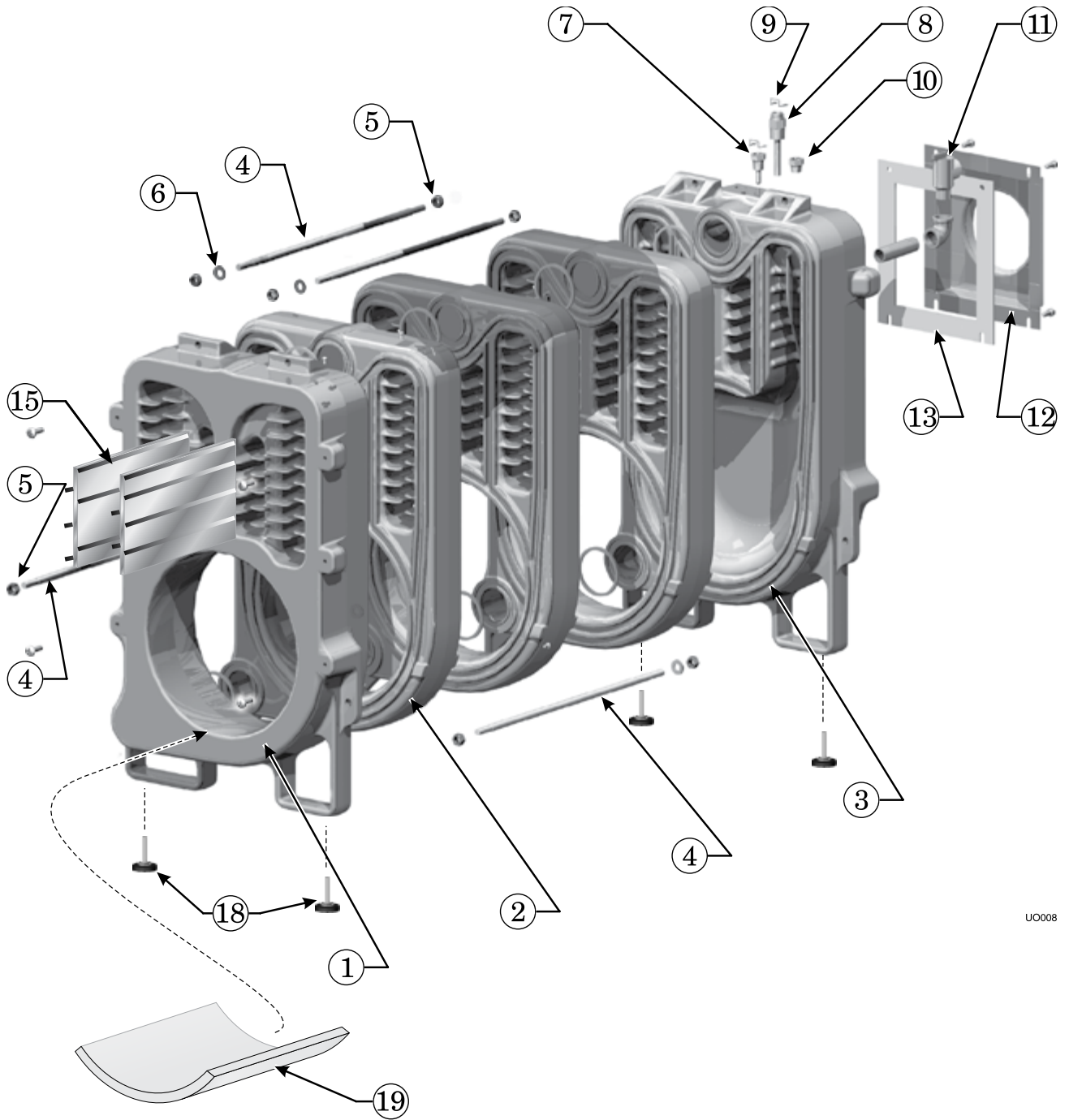
## Replacement parts *(continued)*

### Boiler section assembly parts

Item	Description	Part Number
1	Boiler front section	316-900-200
2	Boiler intermediate section	316-900-210
3	Boiler back section	316-900-220
4	Tie rods (4 required)	UO-3 & UO-3R 560-234-468 UO-4 560-234-472 UO-5 560-234-477
5	Nuts (8 required)	561-928-221
6	Washers (4 required)	562-248-668
7	P/T gauge temperature sensor well	592-300-025
8	Limit control LWCO sensor well	592-300-026
9	Mounting clip for P/T gauge and limit well	512-400-001
10	P/T gauge pressure sensor check valve	512-400-000
11	Boiler relief valve 3/4 NPT 30 PSI	511-546-920
12	Flue collar	446-900-000
13	Flue collar gasket	590-318-028
14	Flue collar replacement Kit (flue collar plate, gasket, (4) bolts)	386-902-002
15	Flueway baffles – (2) required	UO-3 & UO-3R 330-100-211 UO-4 330-100-212 UO-5 330-100-213
16	Front/Intermediate section replacement kit (includes seals & rope)	386-902-004
17	Back section replacement kit (includes seals, rope, & flue gasket)	386-902-003
18	Leveling legs (4)	386-902-013
19	Combustion chamber floor blanket	UO-3 & UO-3R 591-221-287 UO-4 591-221-288 UO-5 591-221-292
20	Flue brush (Not shown)	591-706-241

## Replacement parts *(continued)*

### Boiler section assembly parts



U0008

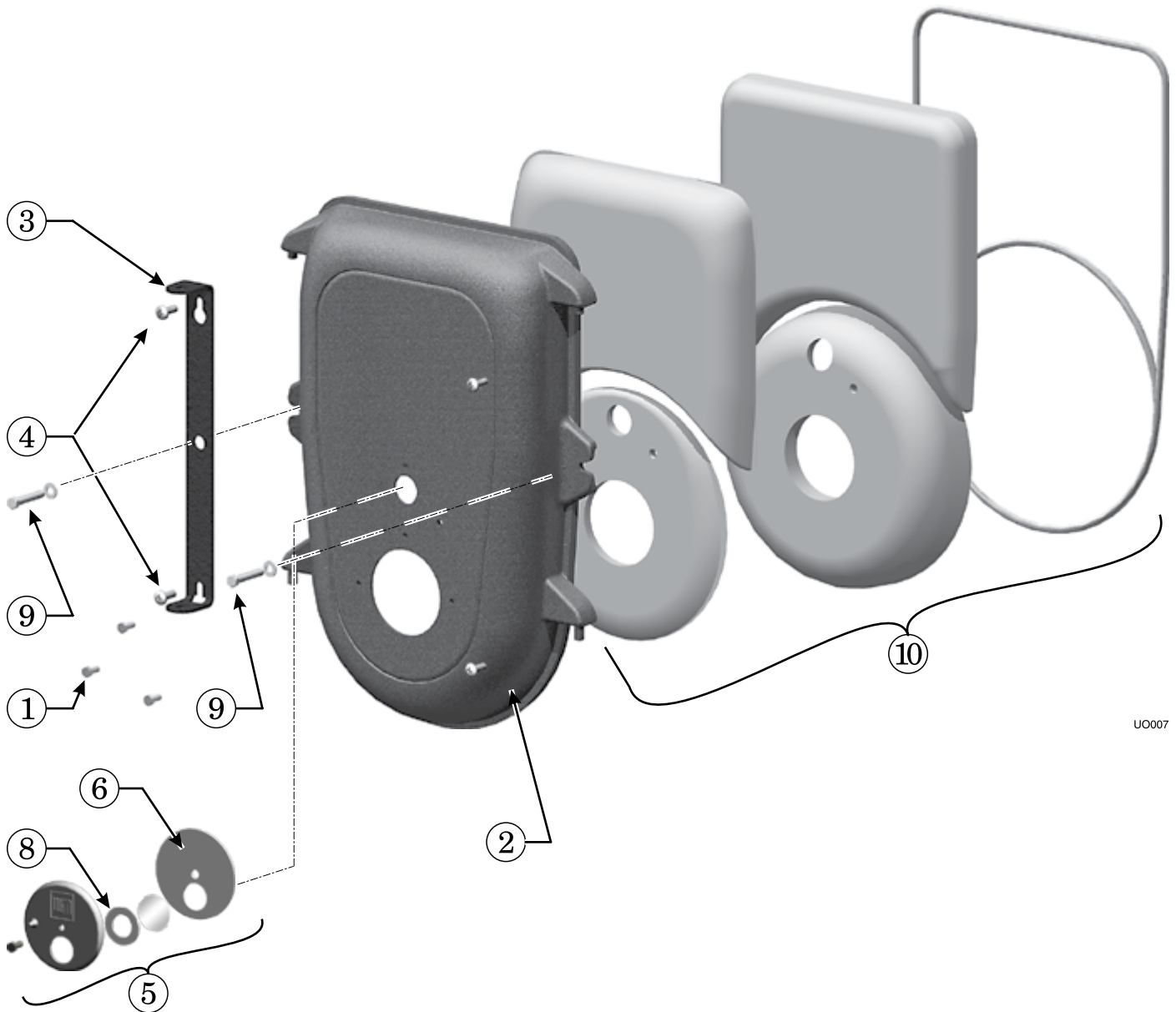
## Replacement parts *(continued)*

### Burner door parts

Item	Description	Part Number
1	Burner flange bolts (3) each, 5/16"-18 x 3/4" Hex head Stainless Steel	Purchase locally
2	Burner door	330-054-308
3	Burner door hinge bracket	466-900-000
4	Hinge bracket screws (2 required), 3/8"-16 x 1	Purchase locally
5	Observation port assembly (includes observation port, bolt, observation port gasket, sight glass gasket, sight glass, & water glass)	386-902-000
6	Observation port gasket (requires water glass adhesive)	590-318-027
7	Water glass for observation port gasket (Not shown)	591-632-612
8	Sight glass gasket	590-317-580
9	Burner door retainer bolts and washers (2) each, 3/8"-16 x 2" Hex head ZP	Purchase locally
10	Burner door insulation kit (includes refractories, insulation blankets & rope)	386-902-001

## Replacement parts *(continued)*

### Burner door parts



U0007

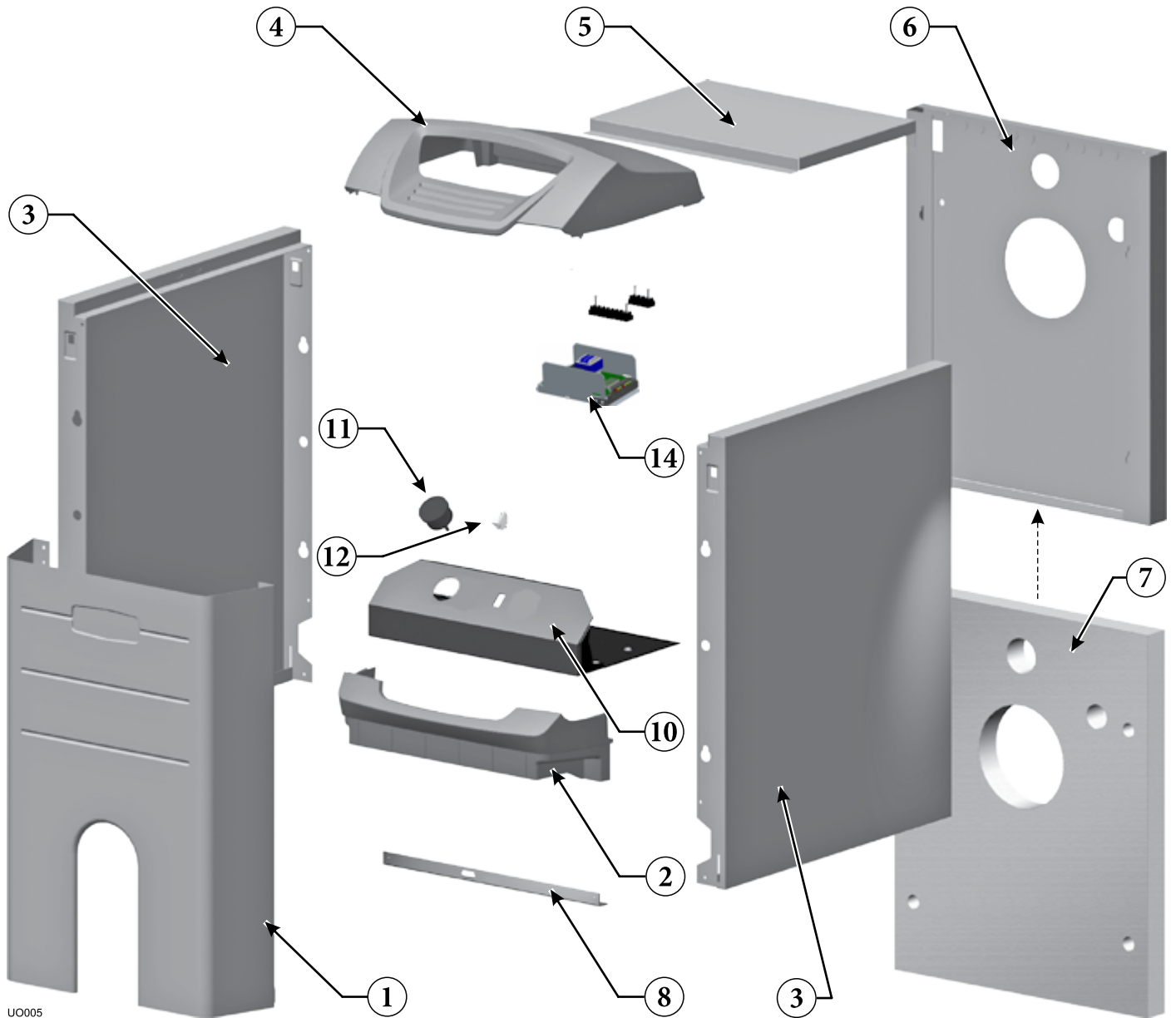
## Replacement parts *(continued)*

### Jacket and control parts

Item	Description	Part Number
1	Jacket front panel assembly (includes sheet metal, plastic, & striker)	386-902-021
2	Jacket front panel plastic	595-000-009
3	Jacket side panel (left and right sides are the same)	UO-3 386-902-023 UO-4 386-902-024 UO-5 386-902-025
4	Control pod cover	595-000-011
5	Jacket top panel	UO-3 386-902-026 UO-4 386-902-027 UO-5 386-902-028
6	Jacket rear panel (if required order insulation below)	426-900-001
7	Jacket rear panel insulation	591-222-181
8	Jacket cross-tie	386-902-029
9	Boiler insulation (Not shown)	UO-3 591-222-178 UO-4 591-222-179 UO-5 591-222-180
10	Control tray assembly (includes tray, limit control, terminal strips, P/T gauge ON/OFF switch, wiring & labels)	386-902-020
11	Pressure/Temperature gauge	510-218-052
12	ON/OFF switch	511-624-645
14	Control Limit Flush Mount Hydrolevel 48-3250-02	386-902-019
15	High voltage wire harness (Not shown)	386-902-017
16	Barometric draft control (Not shown)	510-512-270
17	Limit control sensor (Not shown)	511-724-291
18	Circulator (Not shown)	UO 3 & 4 Taco 007e ECM 511-405-153 UO 3 - 5 Taco 007 511-405-113

## Replacement parts *(continued)*

### Jacket and control parts



U0005