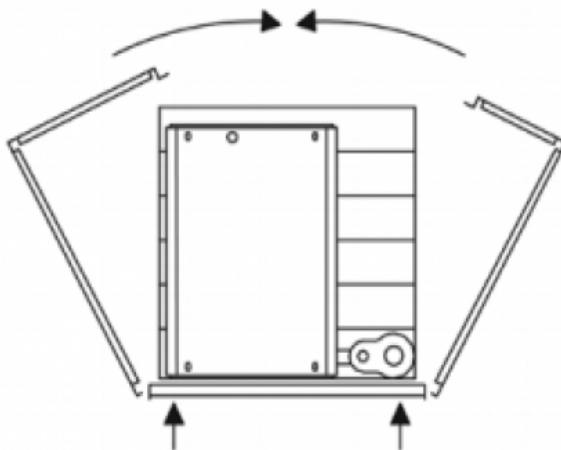
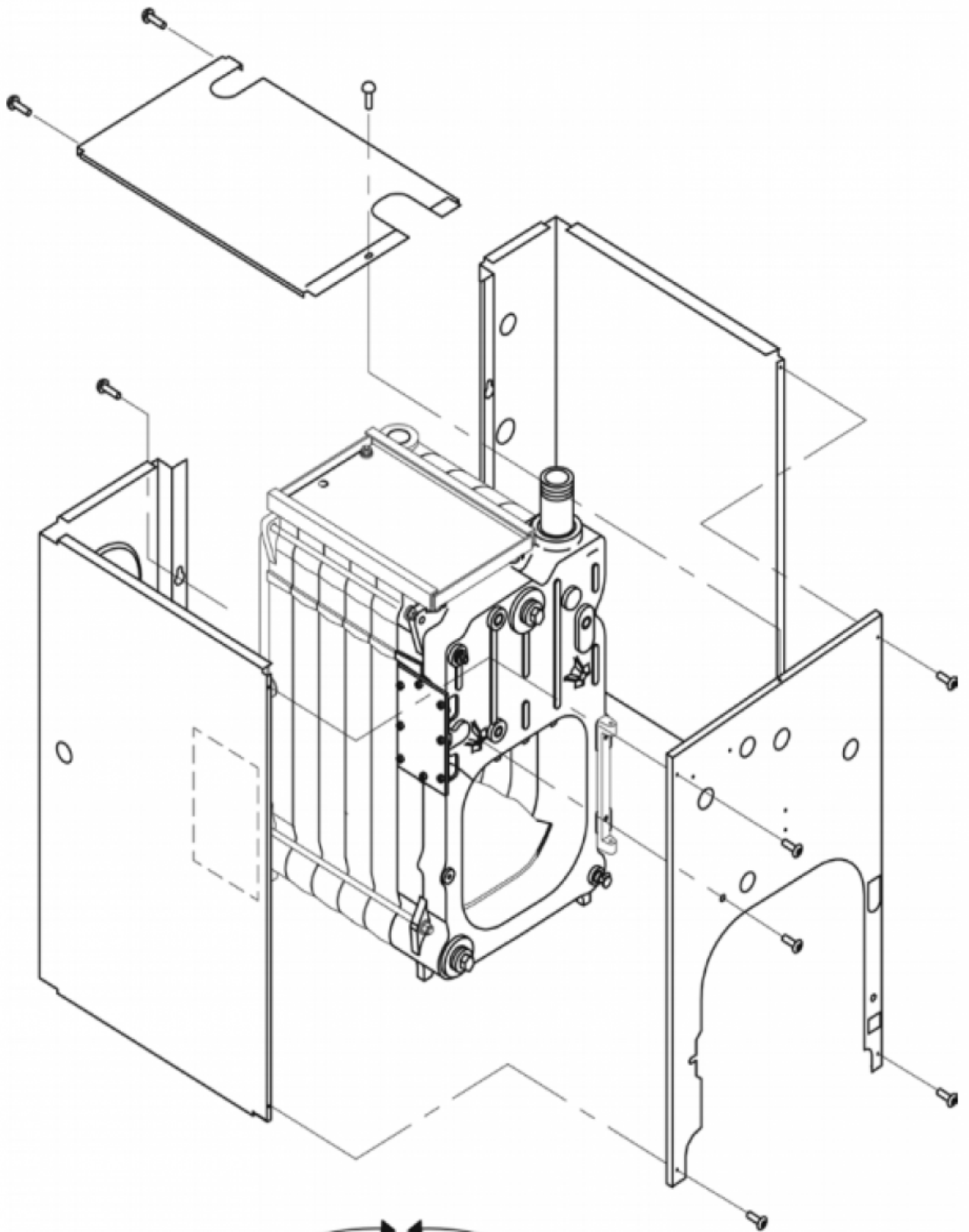


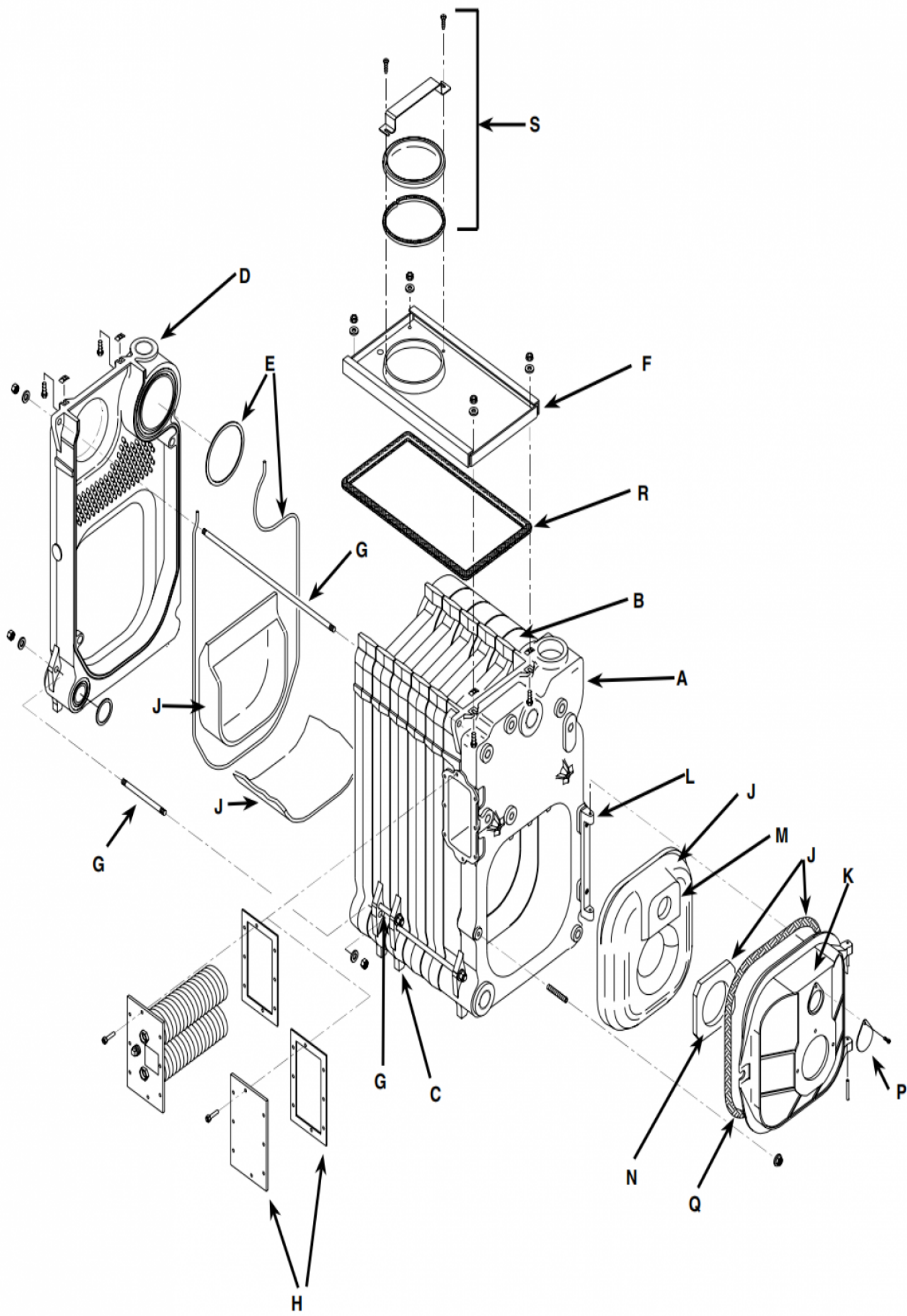
Jacket Parts



Jacket Parts

Index		Notes	Part No.	
			416-700-454 Complete Jacket cartons	
			560-917-105 Plastic flue cap cover w/insulation	
			386-700-853 Jacket Hardware Kit	
			381-359-278 Touch Up Paint - Cloud	
			384-000-141 Touch Up Paint - Slate	
			381-355-928 Jacket panel with insulation - front	
			381-355-930 Left side and rear	
			381-355-975 Right side and rear	
			381-355-934 Top panel with cap	

Section and flue collector parts

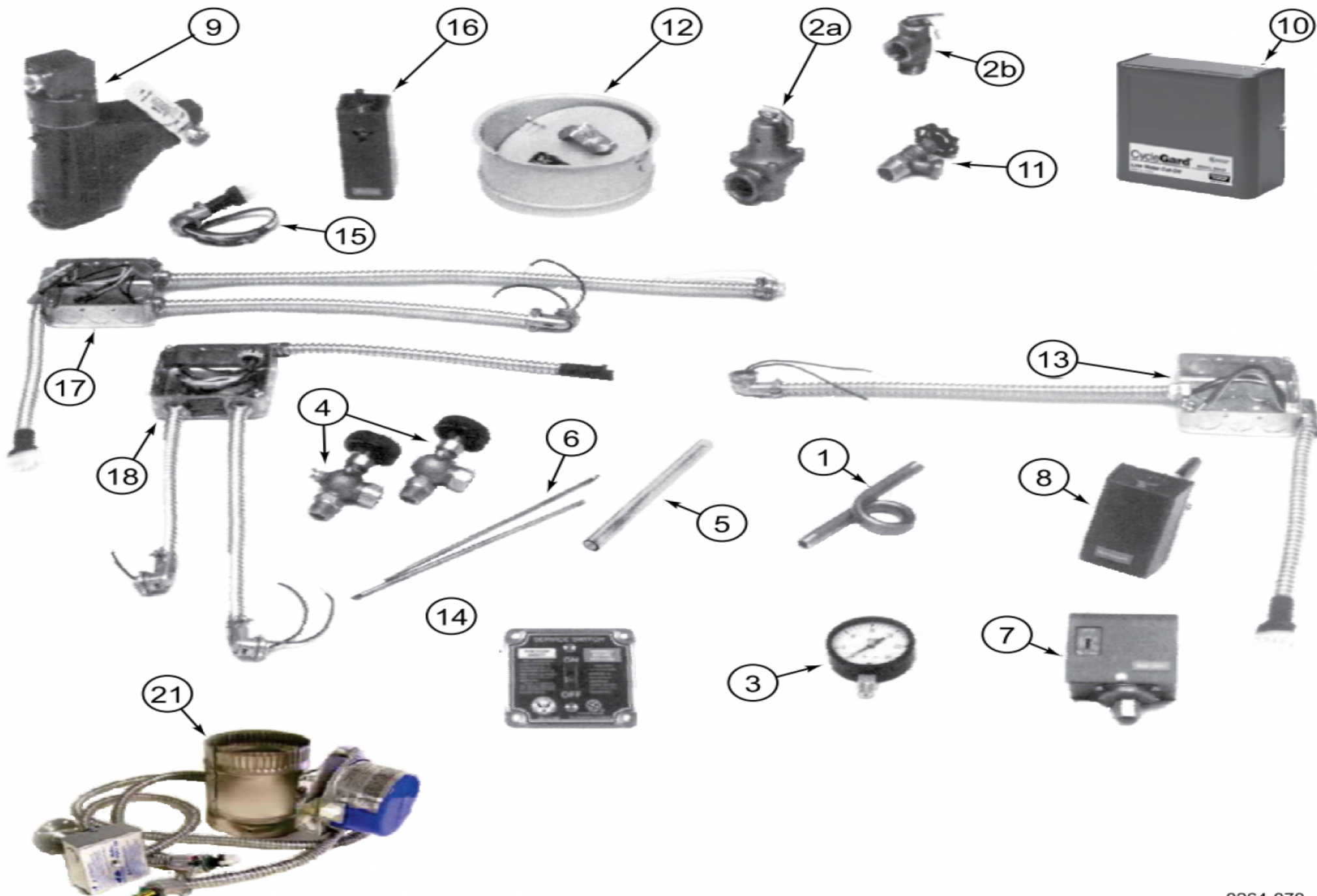


Section and flue collector parts

Index		Notes	Part No.	
A			316-700-245 Front Section, Wide, 2½" Supply, #7011	
B			316-700-065 Intermediate Section, Narrow, #7015	
C			316-700-070 Intermediate Section, With Draw Rod Lugs, #7016	
D			316-700-227 Back section w/7" flue, supply & 2" return (7027)	
E			386-700-852 Rear Section Replacement Kit	
			386-700-851 Intermediate Section Replacement Kit	
			386-701-009 Section assembly, for SGO-4 w/jacket & collector hood installed	
			386-700-970 Section assembly only, for SGO-4	
F			386-700-341 Collector Hood Kit	
G			560-234-532 Tie Rod ½" x 153/8"	

Index		Notes	Part No.	
H			389-900-103 Rectangular Tankless Cover Plate Kit With 8 Studs and Nuts and Tankless Gasket	
J			386-700-355 Combustion Chamber Kit	
K			386-700-358 Burner Mounting Door Assembly	
L			330-054-300 Door hinge 7054	
M			386-700-359 Door Refractory	
N			591-222-115 Door Refractory Blanket	
P			460-039-867 Observation Port Shutter	
Q			590-735-104 Door Seal 3/8" Rope, 55G	
R			590-735-109 Glass rope, 3/8" For Collector Hood, 7'	
S			386-700-344 Flue Cap Kit	
			591-706-214 Flue Brush - 42" Long	
			511-624-650 Blocked vent shutoff switch	

Trim Parts



Trim Parts

Index		Notes	Part No.	
1			560-640-698 Syphon, 180° Bend, ¼" Brass Pipe	
2a			511-548-023 Steam relief valve, set to relieve at 15 PSIG.	
2b			511-548-023 Steam relief valve, set to relieve at 15 PSIG.	
3			510-218-045 Pressure Gauge 0-30 PSIG, 2½" Dial, ¼" N.P.T. Bottom Mount	
4			510-218-135 Water Gauge Glass Cocks, Set, ½" N.P.T., Female Inlet, Standard Stem	
5			383-600-001 Gauge Glass Kit	
6			563-334-597 Water Gauge Glass Guard, 8" Long	
7			510-312-135 High Limit Steam Pressure Control	
7			510-312-135 High Limit Steam Pressure Control	
8			510-312-209 High Limit Temperature Control	

Index		Notes	Part No.	
9			511-114-495 Low Water Cutoff, Float Type	
10			511-100-007 Low water cutoff, probe type	
11			511-210-423 Drain Valve, ¾" N.P.T., 1½" Shank, Brass	
11			511-246-392 Drain Valve, ¼" x 1½" Shank	
12			510-512-267 Balanced Draft Damper 7"	
13			591-391-848 Junction Box Wiring Harness Assembly	
14			591-391-854 Junction Box Cover Assembly With Service Switch	
15			591-391-850 Burner Harness Assembly 4 Pin Plug	
16			510-311-024 Limit Control Without Well, SPDT	
17			591-391-842 Junction Box - Wiring Harness Assembly	

Index		Notes	Part No.	
18			591-391-965 Junction Box With Harness Assembly For Probe LWCO	
19			426-700-268 Flue Pipe Brackets	
20			590-921-903 Tankless Heater – Steam Boiler	
21			381-800-515 Vent damper kit	