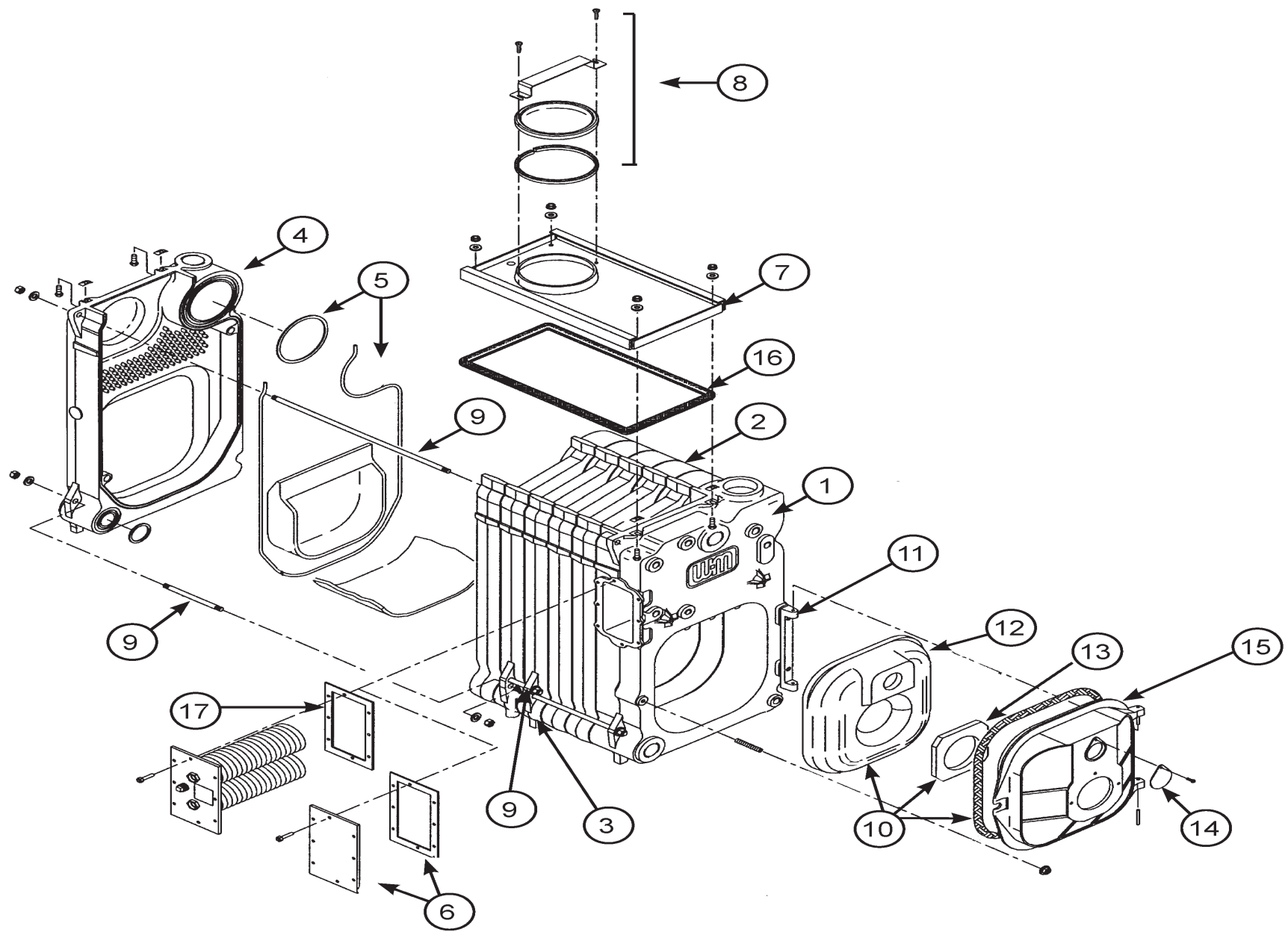


Section Assembly Parts



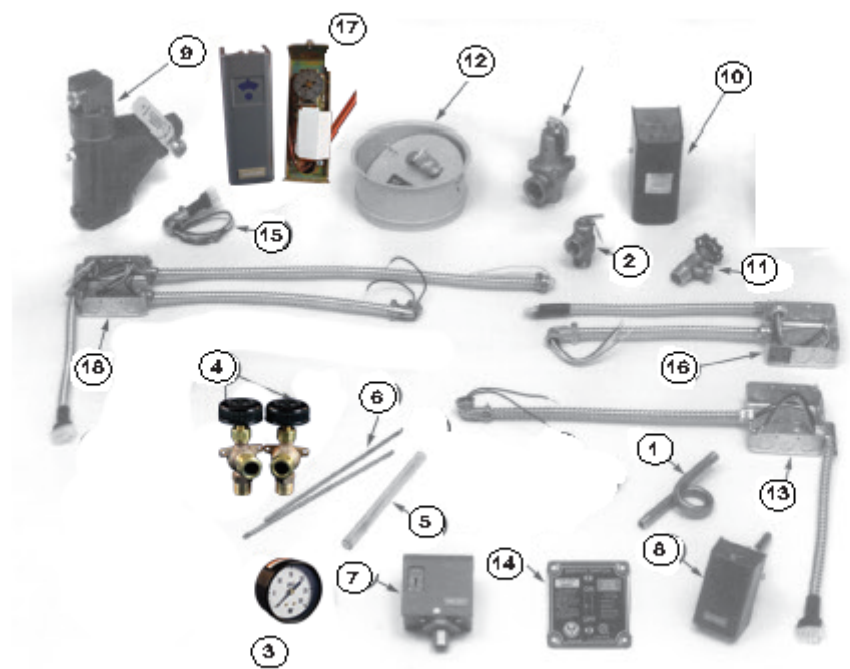
## Section Assembly Parts

Index		Notes	Part No.	
1			316-700-245 Front Section, Wide, 2½" Supply, #7011	
2			316-700-065 Intermediate Section, Narrow, #7015	
4			316-700-224 Section Back With 2½" Supply & 2" Return, #7027 - No Top Tapping	
5			386-700-852 Rear Section Replacement Kit	
6			389-900-103 Rectangular Tankless Cover Plate Kit With 8 Studs and Nuts and Tankless Gasket	
			386-700-969 Section assembly only, for SGO-3	
7			386-700-340 Collector Hood Kit	
9			560-234-491 Tie Rod ½" x 10¾"	
			561-928-221 ½" Nut	
			562-248-668 ½" Lock Washer	
			386-700-355 Combustion Chamber Kit	

Index		Notes	Part No.	
10			386-700-358 Burner Mounting Door Assembly	
11			381-355-797 Door Hinge Kit, Cast #7054	
12			386-700-359 Door Refractory	
13			591-222-115 Door Refractory Blanket	
14			460-039-867 Observation Port Shutter	
15			590-735-104 Door Seal 3/8" Rope, 55C	
16			590-735-109 Glass rope, 3/8" For Collector Hood, 7'	
			591-706-214 Flue Brush - 42" Long	
17			590-317-550 Gasket Tankless Heater Cover Plate 5¼" x 10"	
			560-340-577 Stud 3/8-16" NC-2A x 1.12 Long With 3/8-16" NC Brass Nut	
			386-700-850 Collector Hood Hardware Kit	

Index		Notes	Part No.	
			590-735-250 3/8" Rope , 79" Between Sections	

Steam Trim / Control Parts



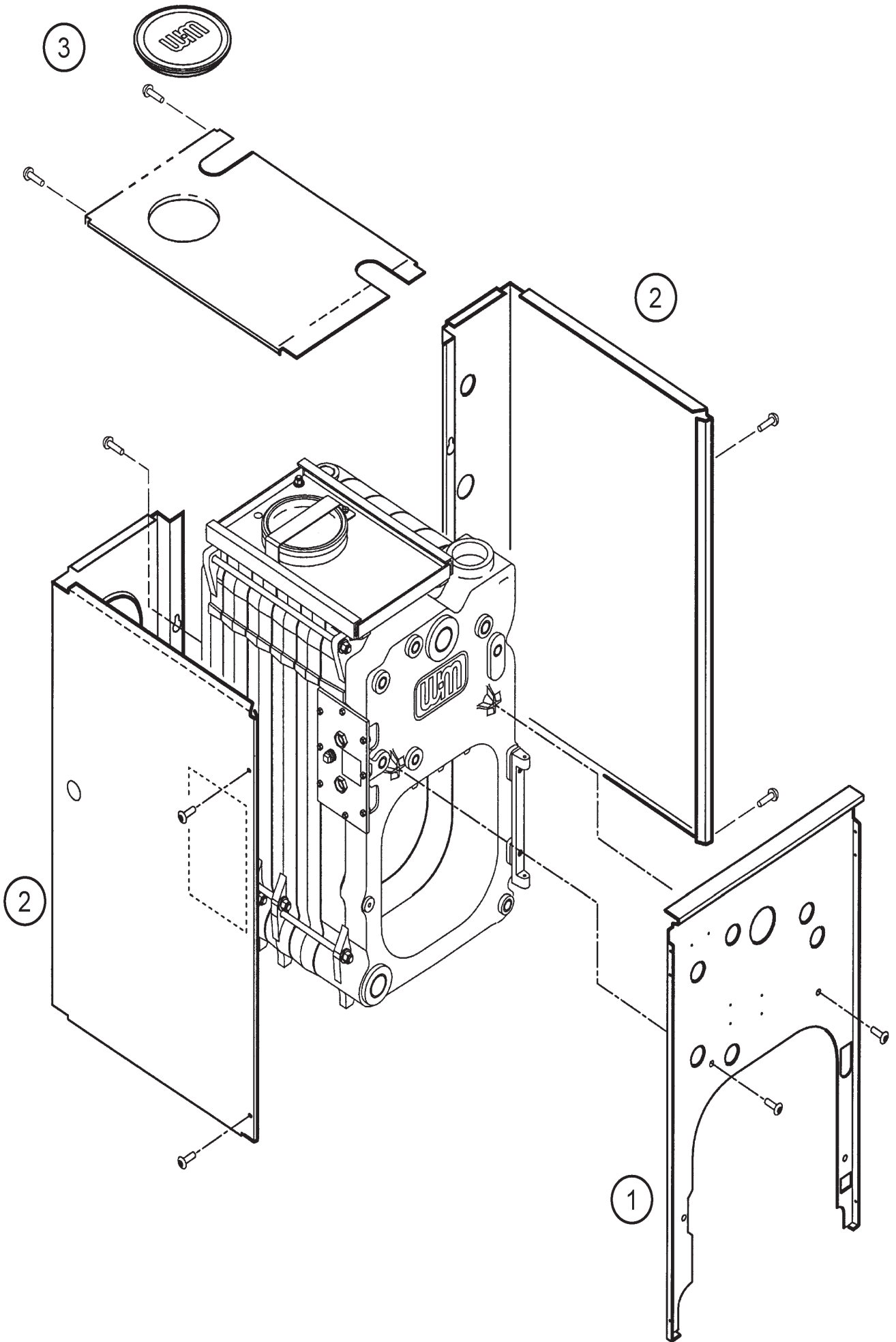
Steam Trim / Control Parts

Index		Notes	Part No.	
1			560-640-698 Syphon, 180° Bend, ¼" Brass Pipe	
2			383-600-106 Steam Relief Valve	
2			383-600-106 Steam Relief Valve	
3			510-218-045 Pressure Gauge 0-30 PSIG, 2½" Dial, ¼" N.P.T. Bottom Mount	
4			510-218-135 Water Gauge Glass Cocks, Set, ½" N.P.T., Female Inlet, Standard Stem	
5			383-600-001 Gauge Glass Kit	
6			563-334-597 Water Gauge Glass Guard, 8" Long	
7			510-312-135 High Limit Steam Pressure Control	
7			510-312-135 High Limit Steam Pressure Control	
8			510-312-209 High Limit Temperature Control	
9			511-114-495 Low Water Cutoff, Float Type	

Index		Notes	Part No.	
10			511-100-008 Kit Service Probe type Low Water Cut-Off Residential Steam Foam Compensating	
			592-300-031 Probe ¾" N.P.T For Low Water Cut Off	
11			511-210-423 Drain Valve, ¾" N.P.T., 1½" Shank, Brass	
11			511-246-392 Drain Valve, ¼" x 1½" Shank	
12			510-512-267 Balanced Draft Damper 7"	
13			591-391-848 Junction Box Wiring Harness Assembly	
14			591-391-854 Junction Box Cover Assembly With Service Switch	
15			591-391-850 Burner Harness Assembly 4 Pin Plug	
16			591-391-837 Wire Harness With Junction Box	
17			510-311-024 Limit Control Without Well, SPDT	

Index		Notes	Part No.	
18			591-391-842 Junction Box – Wiring Harness Assembly	
			426-700-268 Flue Pipe Brackets	
			590-921-903 Tankless Heater – Steam Boiler	
			560-340-577 Stud 3/8-16" NC-2A x 1.12 Long With 3/8-16" NC Brass Nut	
			590-317-550 Gasket Tankless Heater Cover Plate 5¼" x 10"	
			510-312-209 High Limit Temperature Control	
			591-391-965 Junction Box With Harness Assembly For Probe LWCO	

# Jacket Assembly



## Jacket Assembly

Index		Notes	Part No.	
1			381-355-521 Jacket panel with insulation Front	
2			381-355-522 Left side and rear	
2			426-700-252 Right side and rear	
3			381-355-524 Top panel with cap	
			560-907-687 Plastic Flue Cap Cover W/ Insulation	
			386-700-853 Jacket Hardware Kit	
			592-002-029 Touch Up Paint - Gold - Low E 4.5oz Can	