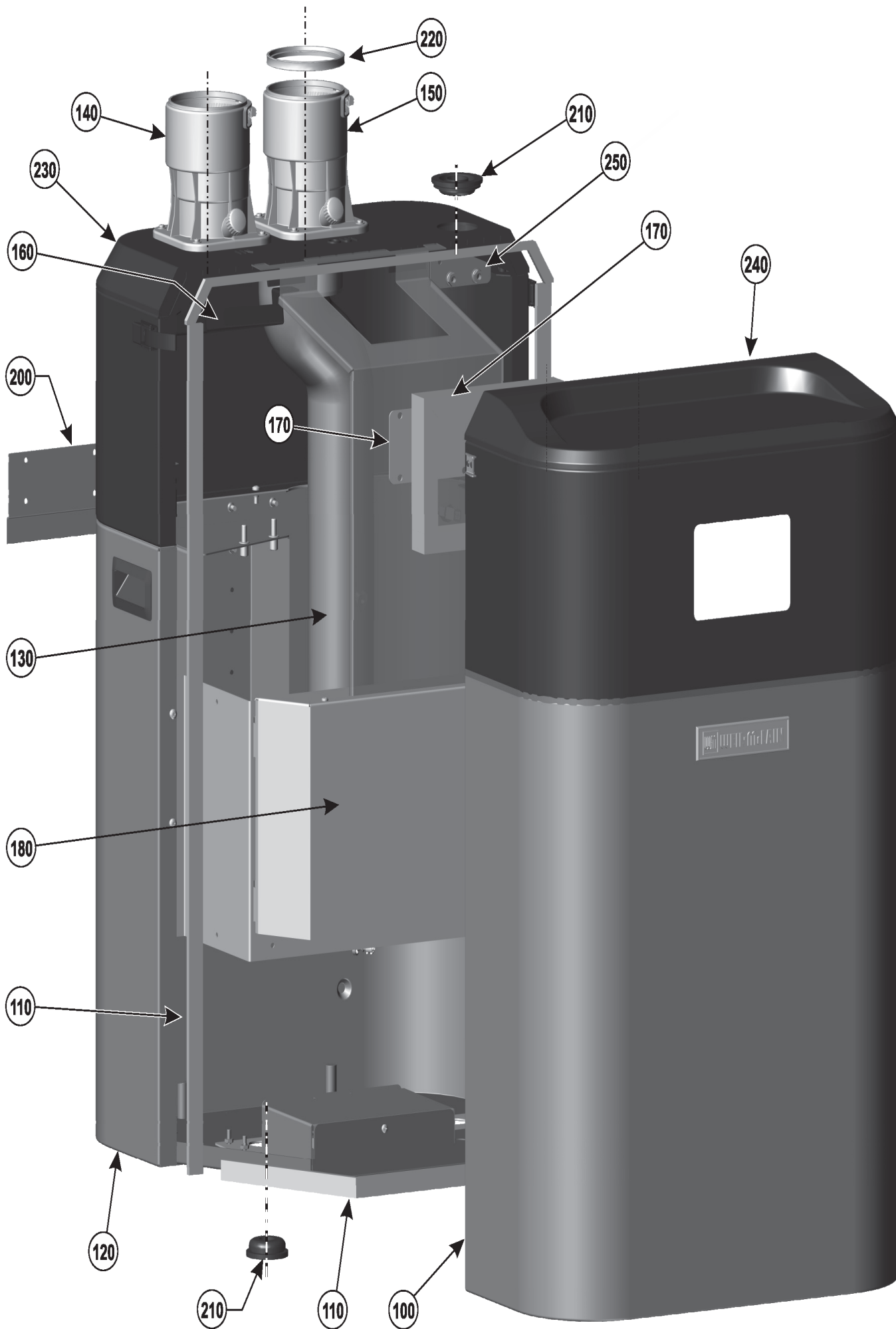


Jacket Parts

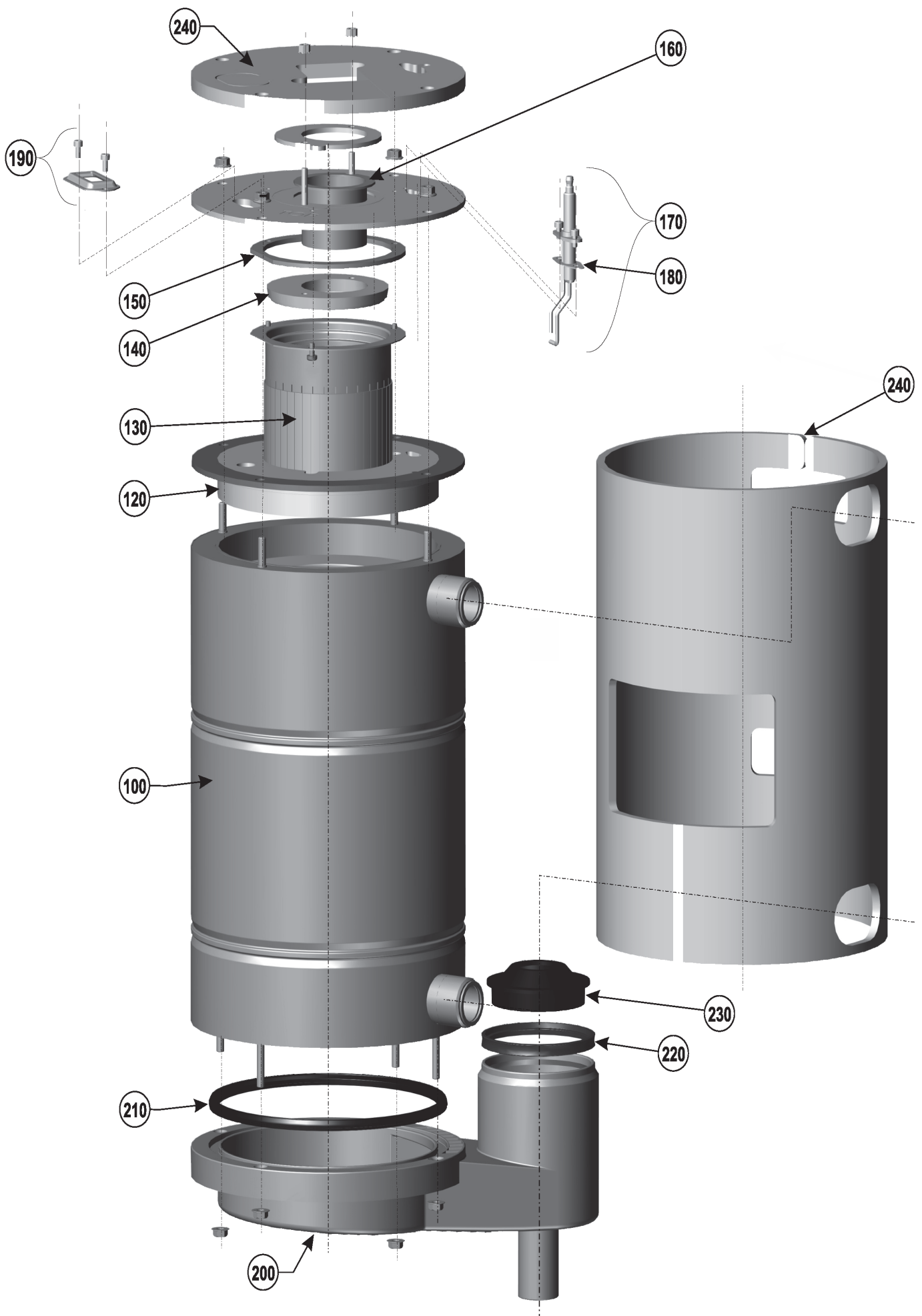


### Jacket Parts

Index		Notes	Part No.	
100			383-700-269 Jacket Door, Gaskets, and label	
110			383-700-363 Gaskets for Door Bottom, Top, and Sides	
120			383-700-271 Jacket Assembly	
130			383-700-273 Flue Pipe - 80MM Polypropylene	
140			383-700-274 Vent - Air Inlet Adapter - with Internal gasket	
150			383-700-275 Vent - Air Outlet Adapter - with Internal Gasket	
160			383-700-276 Air Baffle and Screws	
170			383-700-361 Display Housing to Door Gasket and Display Bracket Gasket	
170			383-700-361 Display Housing to Door Gasket and Display Bracket Gasket	
180			383-700-280 Control Bracket, Cover, and Hardware	

Index		Notes	Part No.	
			383-700-281 Display Board Bracket,and Gaskets	
200			383-700-406 Wall Mount Kit	
210			383-700-362 Dome Plugs and Grommet Seals	
210			383-700-362 Dome Plugs and Grommet Seals	
210			383-700-362 Dome Plugs and Grommet Seals	
220			383-700-384 Flue Gasket	
230			383-700-390 Cabinet Top	
240			383-700-391 Cabinet Door Top	
250			383-700-393 Water Pipe Bracket	

# Heat Exchanger Assembly

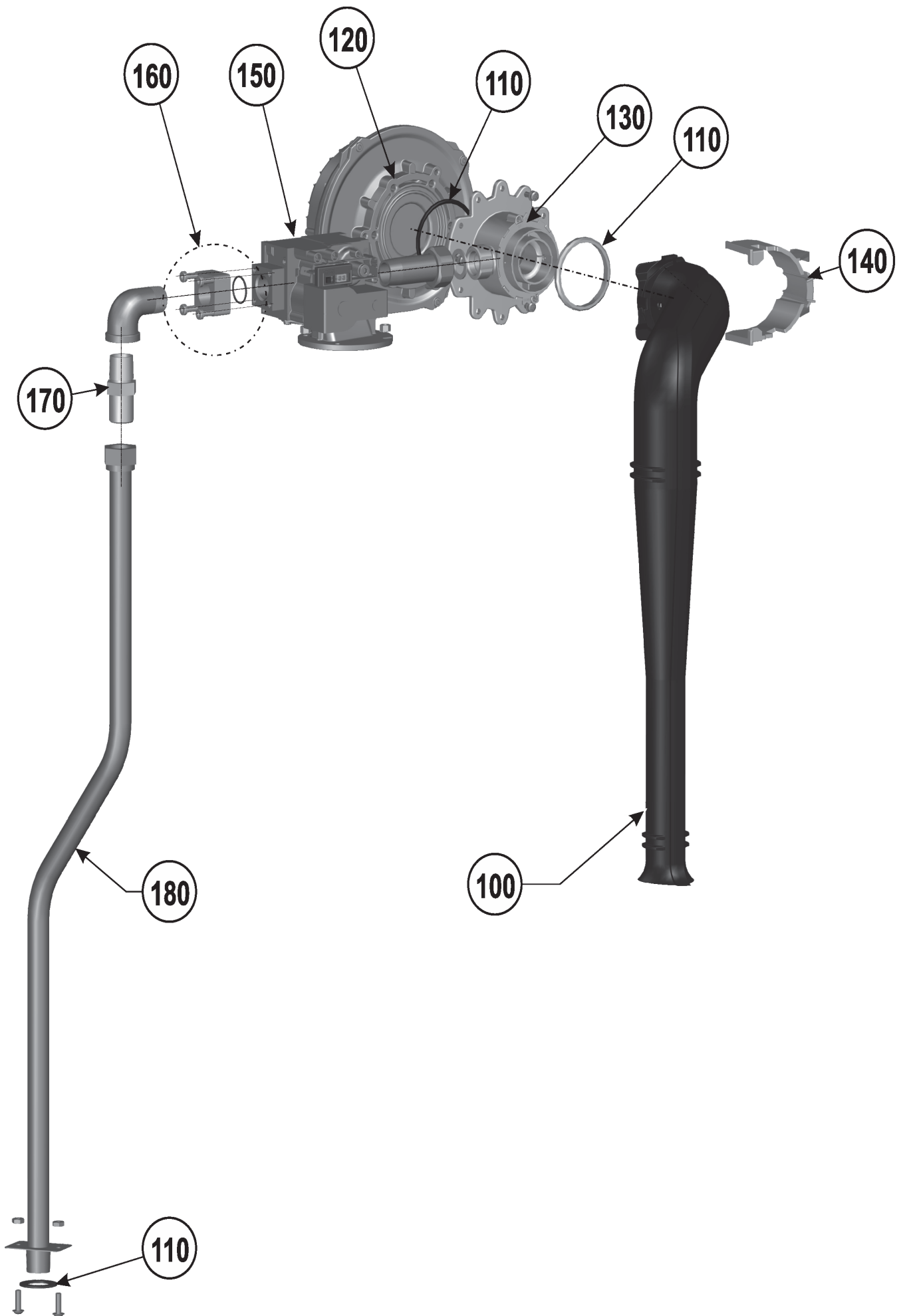


## Heat Exchanger Assembly

Index		Notes	Part No.	
100			383-700-284 Heat Exchanger	
110			383-700-287 Heat Exchanger, Condensate Dish, Cover Plate, Burner, Igniter, Sight Glass, Refractory, Water Senors, Gaskets, Silicone, and Hardware.	
120			383-700-291 Insulation with Intergeated Seal - Bottom Cover Plate	
130			383-700-297 Burner	
140			383-700-372 Disc - Burner Refractory	
150			383-700-300 Burner Gasket	
160			383-700-290 Burner Tube	
170			383-700-295 Ignition Electrode Kit	
180			383-700-360 Service Kit	
190			383-700-185 Sight glass kit	
200			383-700-331 Condensate Dish	
210			383-700-381 Condensate Dish Gasket	

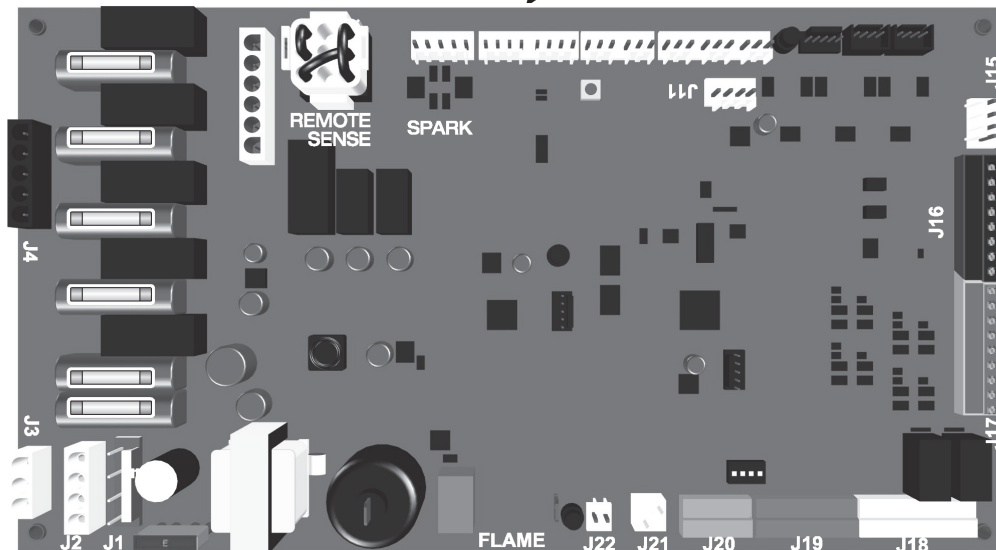
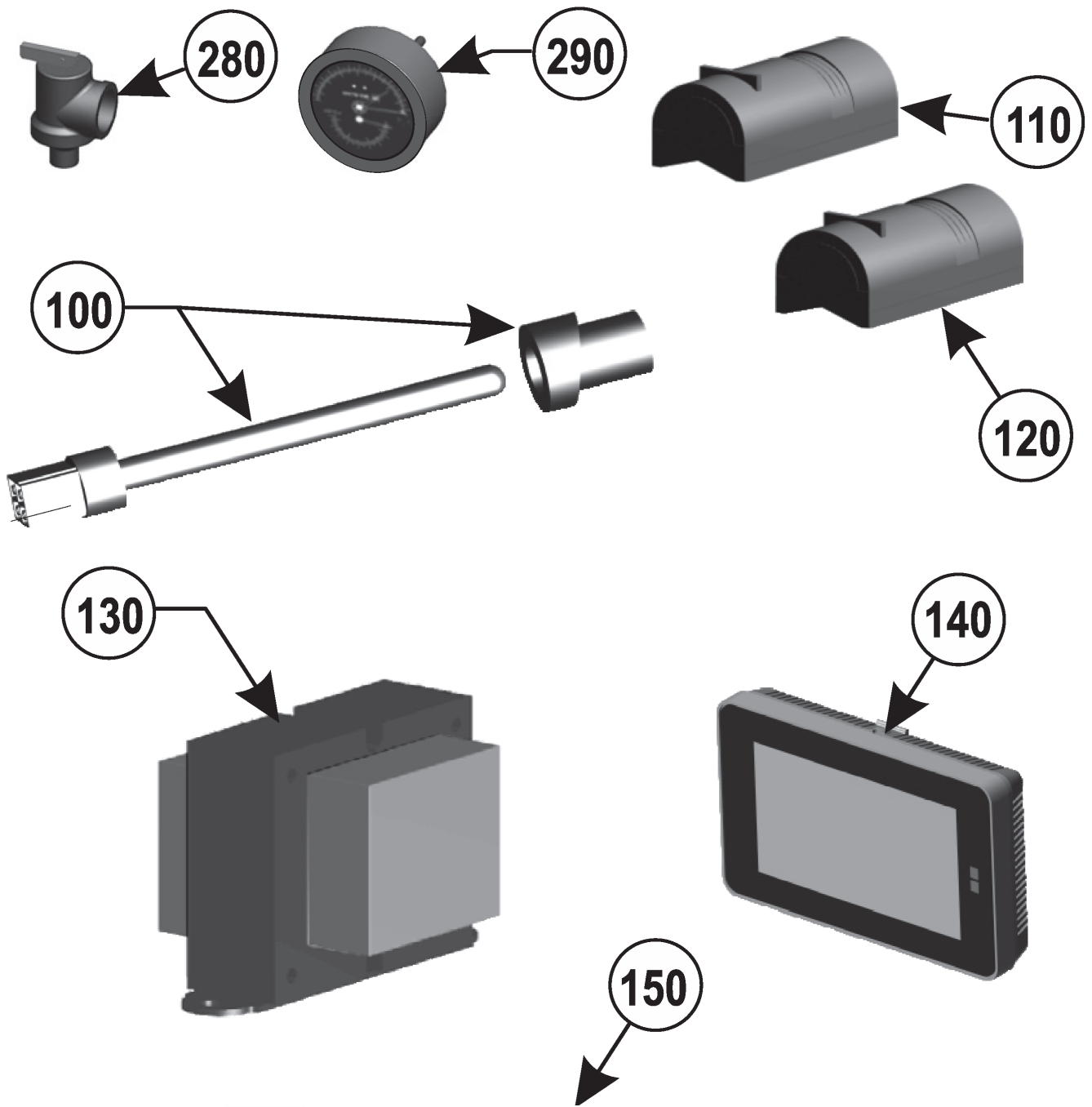
Index		Notes	Part No.	
220			383-700-384 Flue Gasket	
230			383-700-364 Flue Restrictor	
240			383-700-366 Top Cover Insulation & Heat Exchanger Insulation Wrap	

Combustion Components



## Combustion Components

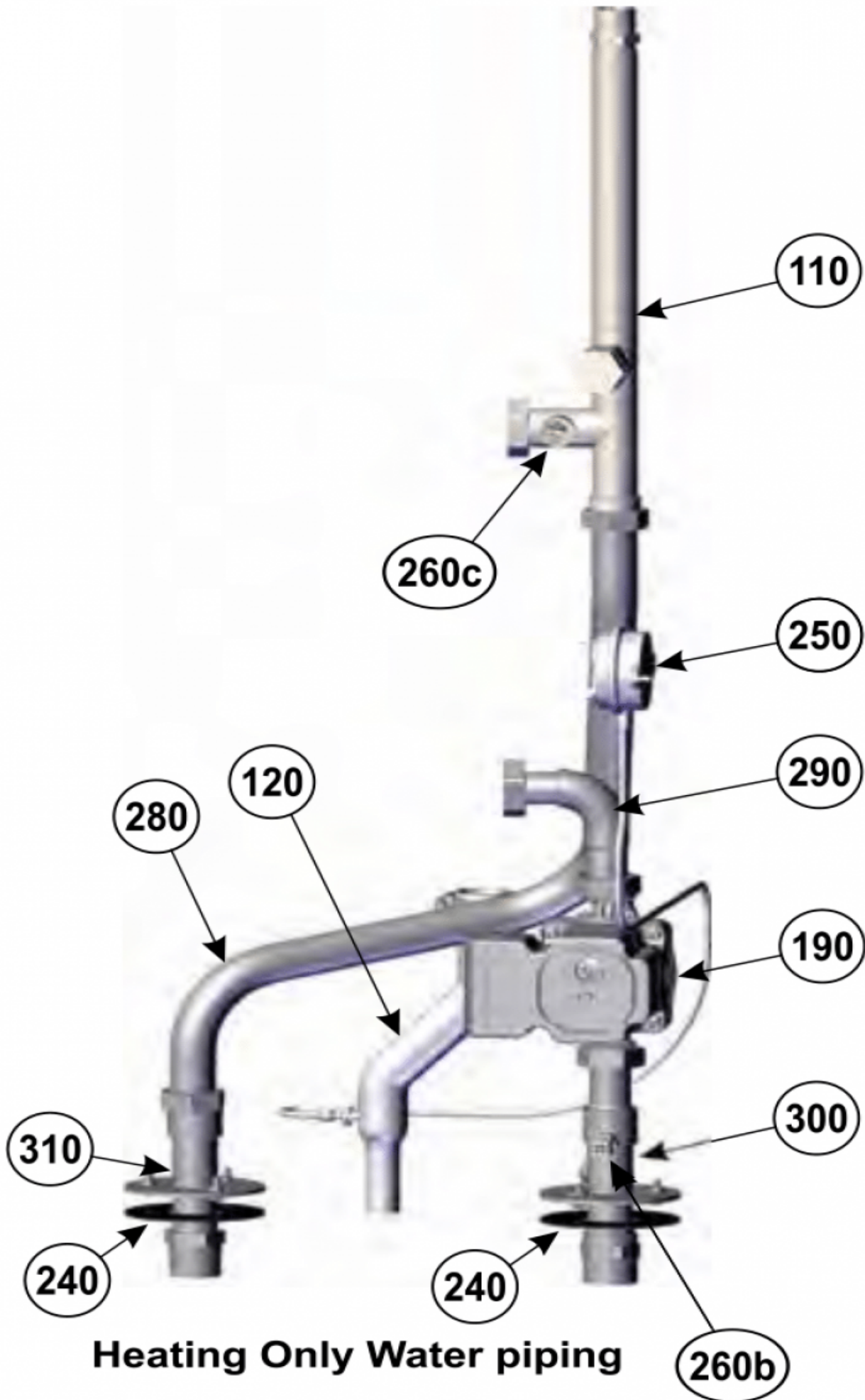
Index		Notes	Part No.	
100			383-700-294 Air Silencer, Clip, and Gasket	
110			383-700-360 Service Kit	
120			383-700-303 Blower, Gasket, and Hardware	
130			383-700-305 Venturi	
130			510-811-415 Venturi - LP	
140			383-700-308 Air Silencer Clip	
150			383-700-313 Gas Valve Assembly	
160			383-700-283 Adapter Gas Flex Line, Elbow, Gas Valve Flange with Hardware, and Gas Pipe	
170			383-800-224 Gas Flex Line	



**Controls and Electrical Assemblies**

Index		Notes	Part No.	
100			383-500-600 Flue temperature sensor	
110			383-500-125 Outdoor Temperature Sensor - 30/50° C, 12K ohms	
120			383-700-371 System Sensors	
130			383-700-320 Transformer 120v/50va/24v	
140			384-000-396 Display Board Assembly	
150			384-000-395 Control Module Assembly	
			383-700-323 Wire Harness - Line Voltage	
			383-700-324 Wire Harness - Low Voltage	
			383-500-619 Ignition Cable Kit - Ignition Cable, Suppressor and Wire Tie	
			383-700-369 Fuse Kit	
			383-500-641 Jumper for low voltage terminal blocks	

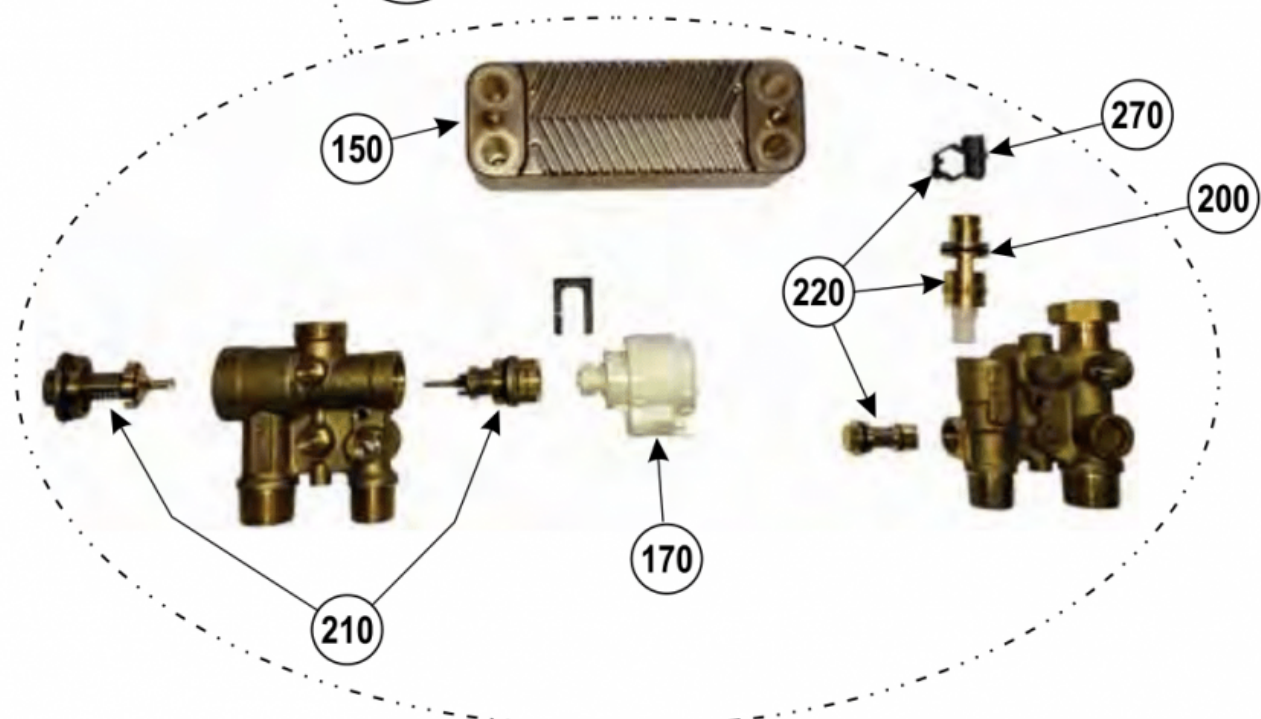
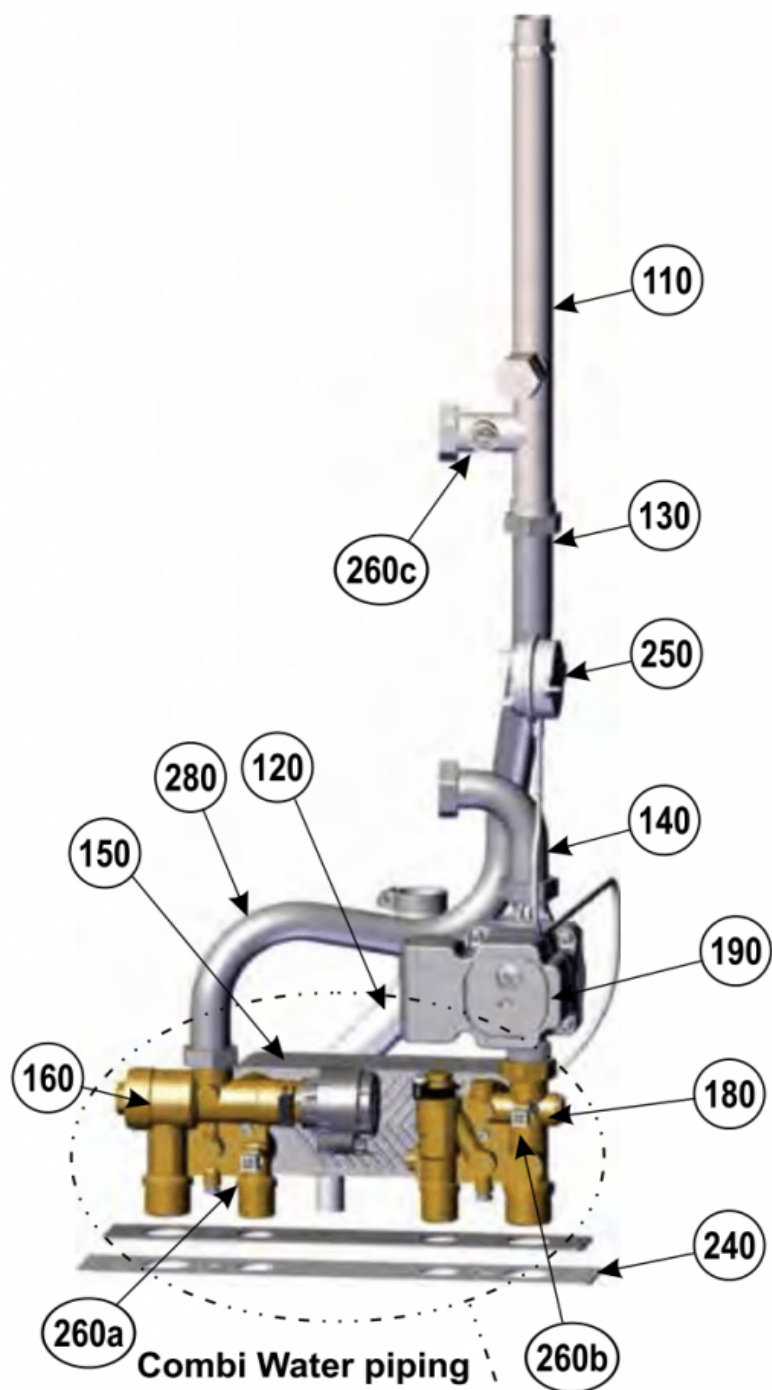
Index		Notes	Part No.	
			383-900-111 Connector electrical control	
			383-700-385 Low Voltage Wire Grommet - Seals Thermostat Wire at Entrance to Cabinet	
			383-700-351 Harness - Blower Jumper	
			383-700-352 Harness - Display to Control Module	
			383-700-353 Harness - Actuator	
			383-700-354 Harness - Flow Sensor	
			383-700-272 Harness - BMS	
280			383-500-095 Relief valve	
290			380-000-000 Pressure & temperature gauge	



Heating Only Water piping

## Heat-only Water Piping

Index		Notes	Part No.	
			HEATING ONLY WATER PIPING	
110			383-700-377 Pipe - Water Top	
120			383-700-268 Condensate Trap Kit	
190			383-700-379 Circulator	
240			383-700-392 DHW - Return and Supply Gaskets	
250			383-700-329 Pressure Switch	
260			383-700-319 Water Temperature Sensor	
280			383-700-378 Pipe - Water Flex 1"	
290			383-700-375 Pipe - Return Water	
300			383-700-376 Pipe - Water Return Bottom with Sensor Tapping	
310			383-700-374 Pipe - Water Supply Bottom	



### Combi Water Piping

Index		Notes	Part No.	
			COMBI WATER PIPING	
110			383-700-377 Pipe - Water Top	
120			383-700-268 Condensate Trap Kit	
130			383-700-378 Pipe - Water Flex 1"	
140			383-700-375 Pipe - Return Water	
150			383-700-355 Brazed Plate Heat Exchanger	
160			383-700-356 DHW Flow Manifold	
170			383-700-358 Actuator - 3 Way Valve - Includes Retaining Clip	
180			383-700-357 DHW Return Manifold - with Sensor Tapping	
190			383-700-379 Circulator	
200			383-700-380 Flow Transducer/Turbine	
210			383-700-349 DHW Flow Manifold Components	
220			383-700-350 DHW Return Manifold Components	

Index		Notes	Part No.	
230			383-700-359 Braze Plate Gaskets	
240			383-700-392 DHW - Return and Supply Gaskets	
250			383-700-329 Pressure Switch	
260			383-700-319 Water Temperature Sensor	
270			383-700-389 Flow Sensor Electronic Pickup	
280			383-700-378 Pipe - Water Flex 1"	

No  
Diagram  
Available  
  
Parts List  
Only

Miscellaneous Service Parts and Kits

Index		Notes	Part No.	
			CHEMICALS	
			592-900-029 Antifreeze, Sentinel X500	
			592-900-002 Corrosion inhibitor, Sentinel X100	
			592-900-005 Sentinel X100 Quick Test Kit	
			BOILER ACCESSORIES	
			383-700-265 ECO Tec 80/110 Maintenance Kit	
			383-700-266 ECO Tec 150 Maintenance Kit	
			383-700-267 ECO Tec 199 Maintenance Kit	
			383-700-268 Condensate Trap Kit	
			383-700-339 ECO Tec Pedestal - Floor Stand	
			383-700-406 Wall Mount Kit	
			383-700-343 ECO Tec Easy Up Manifold	
			511-100-005 Low water cut-off	
			383-700-346 DHW Service Valve	

Index		Notes	Part No.	
			383-700-371 System Sensors	
			CONDENSATE HANDLING ACCESSORIES	
			383-500-631 Condensate neutralizer kit	
			VENTAIR PARTS & KITS (PVC OR STAINLESS STEEL)	
			383-500-778 Weil-McLain Direct Exhaust Venting Kit	
			383-500-397 3" Kit	
			382-200-430 Weil-McLain sidewall vent/air cap termination kit for AL29-4C vent pipe and PVC air pipe	
			560-907-728 Bird Screen For 2" PVC Vent/Air Pipes	
			383-500-105 Bird screens For 3" PVC vent and air pipes	
			Sidewall Separate Pipes Vent/Air Termination Kits	
			383-700-171 Sidewall Separate Pipes Vent/Air Termination Kit	

Index		Notes	Part No.	
			383-500-100 Kit for 3" or 4" PVC vent and air pipes	
			383-700-172 Kit for 3" AL29-4C SS vent pipe and PVC air pipe	
			PVC Concentric Vent Kit - Horizontal or Vertical	
			383-700-167 PVC Concentric Vent Kit	
			383-500-350 Kit for 3" PVC vent and air pipes	
			VENT/AIR PARTS & KITS (PVC IPEX)	
			PVC Concentric Vent Kit - Horizontal or Vertical	
			2" PVC Concentric	
			3" PVC Concentric	
			VENT/AIR PARTS & KITS (POLYPROPYLENE PIPE)	
			M&G Simpson-Duravent PolyPro VERTICAL Concentric Vent/Air Pipe Kit - For 2" Polypropylene Pipe	

Index		Notes	Part No.	
			M&G Simpson-Duravent PolyPro VERTICAL Concentric Vent/Air Pipe Kit - For 3" Polypropylene Pipe	
			M&G Simpson-Duravent PolyPro SIDEWALL Separate Vent/Air Pipe Kit - For 2" Polypropylene Pipe	
			M&G Simpson-Duravent PolyPro SIDEWALL Separate Vent/Air Pipe Kit - For 3" Polypropylene Pipe	
			M&G Simpson-Duravent Polypro - 3" to 2" Polypropylene Adapter	
			VENT/AIR PARTS & KITS (POLYPROPYLENE PIPE)	
			Centrotherm INNOFLUE SIDEWALL 3" Concentric Polypropylene Vent/Air Pipe Kit	

Index		Notes	Part No.	
			Centrotherm INNOFLUE SIDEWALL 2" Concentric Polypropylene Vent/Air Pipe Kit	
			Centrotherm INNOFLUE VERTICAL Concentric Vent/Air Pipe Kit - 2" Polypropylene Pipe	
			Centrotherm INNOFLUE VERTICAL Concentric Vent/Air Pipe Kit - 3" Polypropylene Pipe	
			Centrotherm INNOFLUE - Polypropylene 3" to 2' Adapter	
			STAINLESS STEEL VENT/FLUE & AIR ADAPTER CONNECTIONS	
			Saf T Vent	
			Z Vent	
			Corr/Guard	