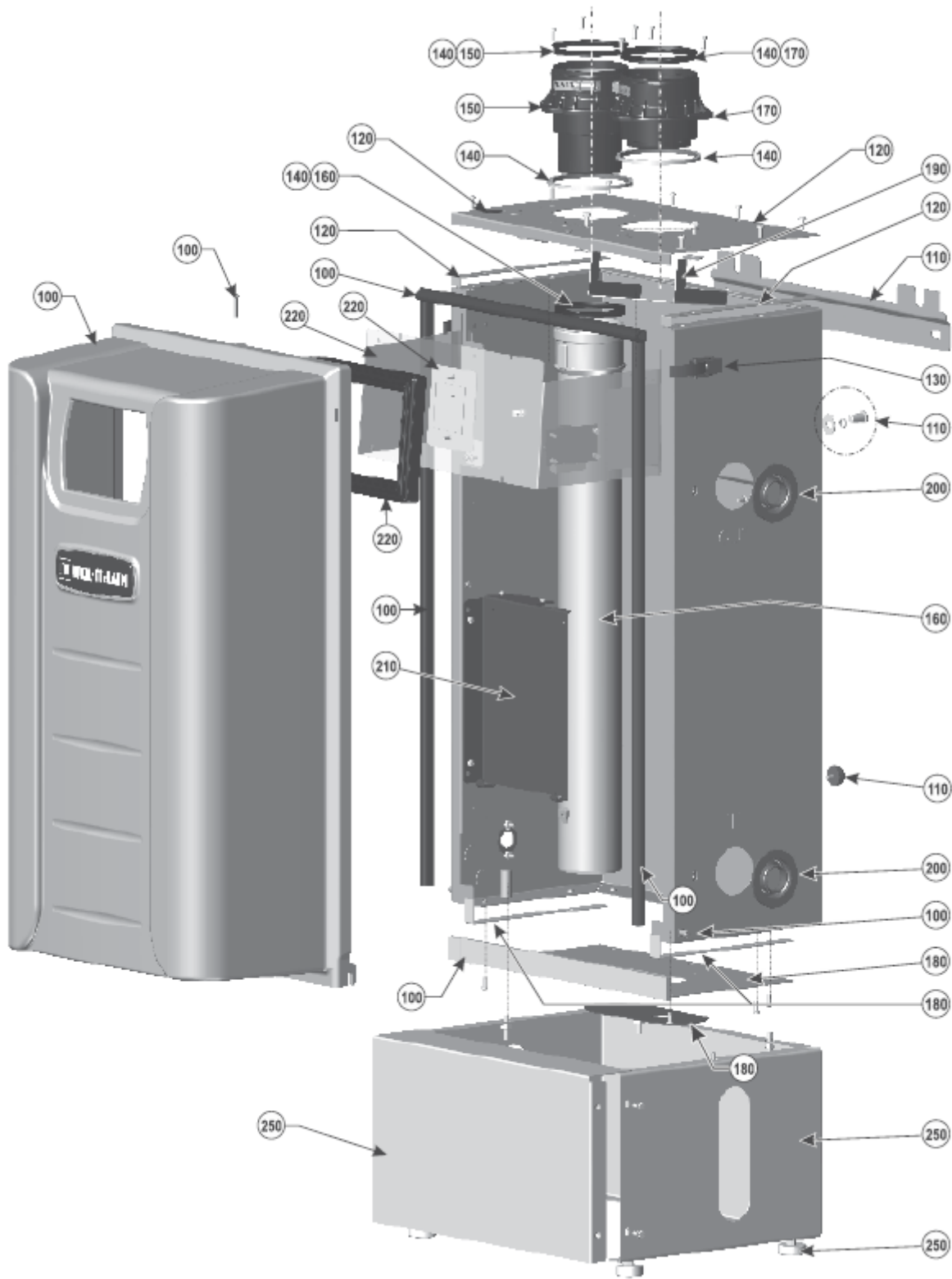


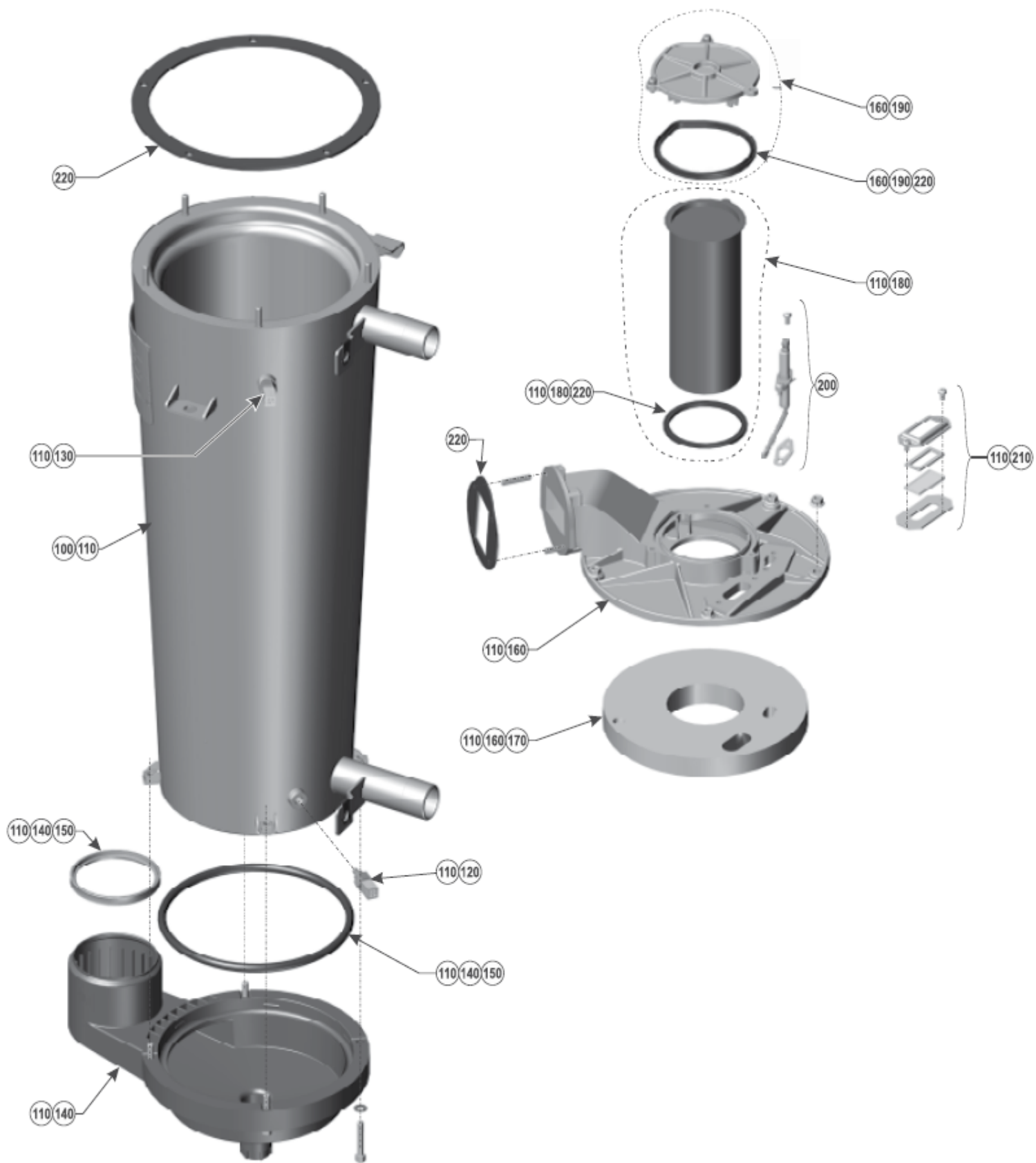
Jacket Parts



Jacket Parts

Index		Notes	Part No.	
100			383-900-170 Jacket door kit	
110			383-900-164 Wall-mount bracket and bumper kit	
120			383-900-165 Jacket upper panel kit	
130			383-700-122 Door latch	
140			590-900-167 Flue pipe gasket kit	
150			560-907-719 Flue pipe adapter	
160			560-907-720 Boiler flue pipe	
170			560-907-718 Air inlet adapter	
180			383-900-103 Jacket bottom panel kit	
190			383-800-223 Air baffle and screws	
200			562-248-740 Pipe grommet	
210			383-800-228 Control/transformer bracket	
220			383-900-168 Display bracket kit	
240			383-700-239 Condensate bracket 155	
250			383-900-106 Floor stand assembly	

Heat Exchanger

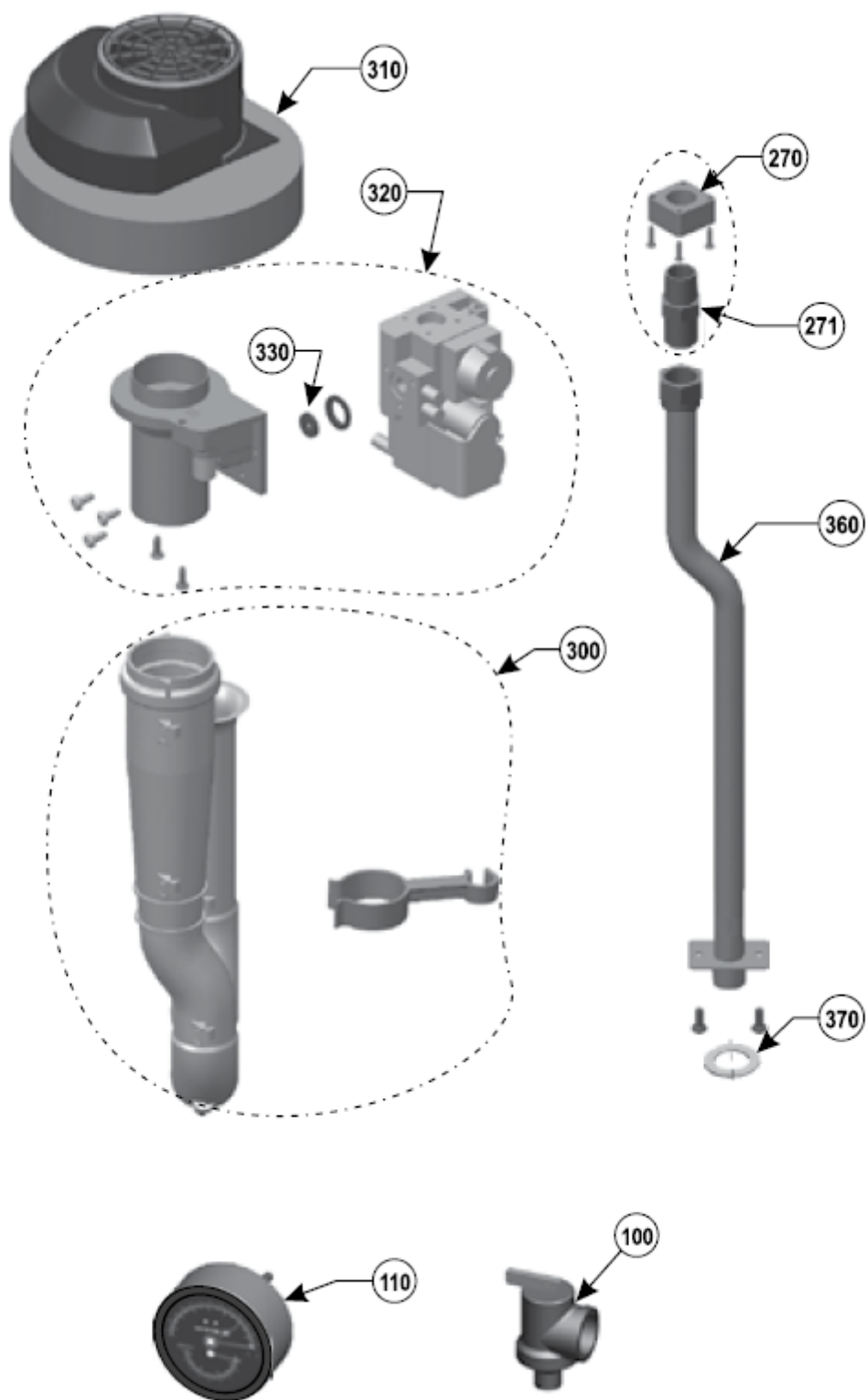


Heat Exchanger

Index		Notes	Part No.	
100			383-800-231 Heat exchanger	
110			383-800-233 Heat exchanger, condensate dish, cover plate, burner, igniter, sight glass, refractory, water sensors, gaskets, silicone, and hardware	
120			511-724-296 Heat exchanger water temperature sensor	
130			511-724-296 Heat exchanger water temperature sensor	
140			383-700-181 Condensate dish, gaskets, and hardware	
150			383-700-347 Gasket to seal	
150			383-700-347 Gasket to seal	
160			383-700-184 Heat exchanger cover plate, refractory and gaskets	
170			383-700-182 Refractory insulation & silicone sealant	

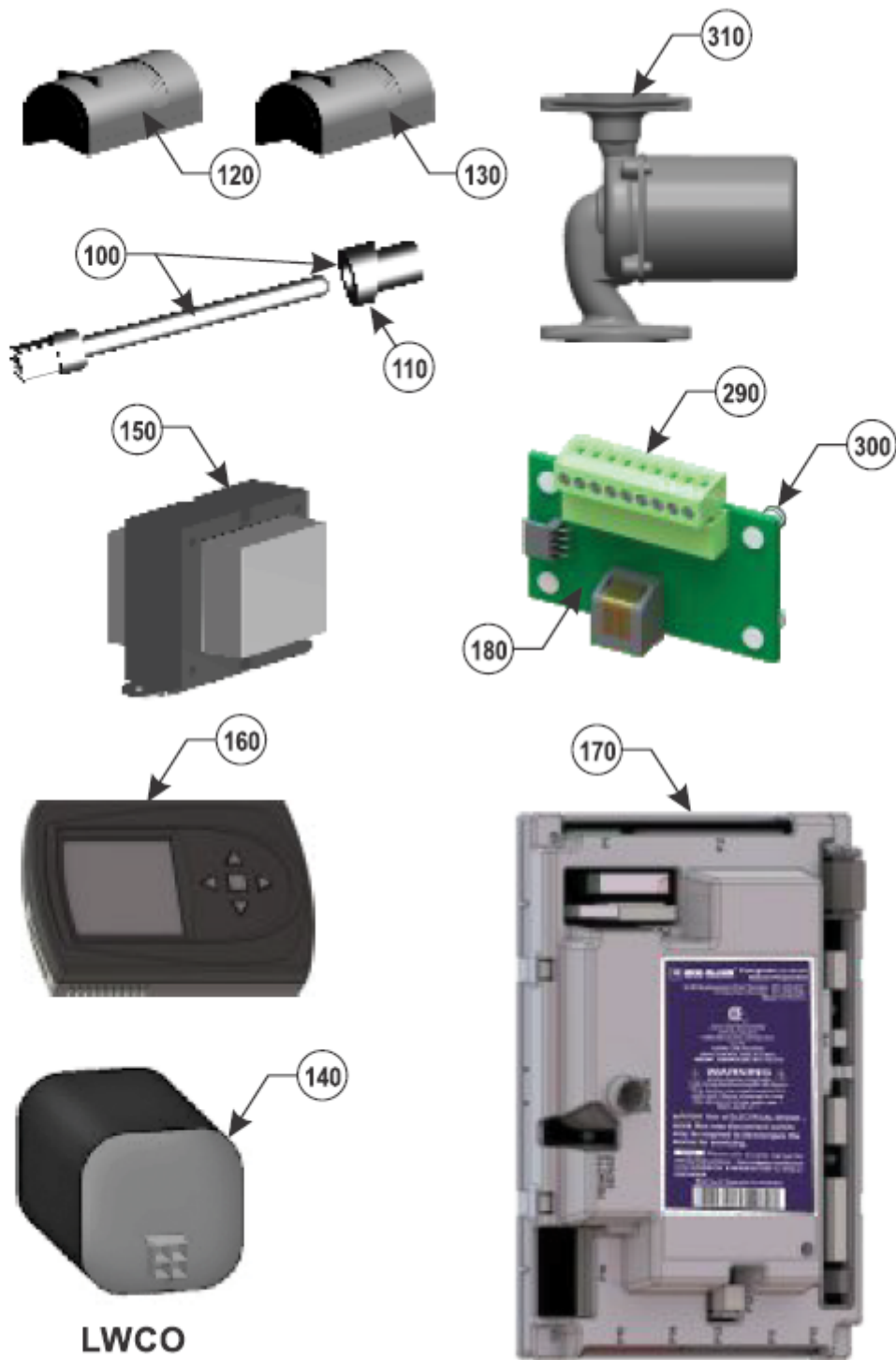
Index		Notes	Part No.	
180			383-700-183 Burner, gasket, and hardware	
190			383-700-202 Burner access cover, gasket and hardware	
200			383-700-187 Igniter kit	
210			383-700-185 Sight glass kit	
220			383-700-207 Heat exchanger cover plate gasket set	

Combustion Components



Combustion Components

Index		Notes	Part No.	
100			383-500-095 Relief valve	
110			380-000-000 Pressure & temperature gauge	
270			563-910-031 Gas valve adapter block	
271			562-302-576 Gas flex line adapter	
273			383-600-009 Adapter block O-ring	
300			383-700-203 Air inlet silencer	
310			383-700-195 Blower	
320			383-700-196 Gas valve/venturi assembly	
330			540-202-839 Propane orifice	
360			383-800-241 Gas flex line	
370			590-300-027 Gas pipe flange gasket	



LWCO
(Standard Equipment)

Controls/Electrical Assembly Parts

Index		Notes	Part No.	
100			383-500-600 Flue temperature sensor	
110			590-318-011 Gasket - flue temperature sensor	
120			510-312-218 Outdoor temperature sensor	
130			383-500-601 System temperature sensor	
140			511-100-005 Low water cut-off	
150			383-500-628 Transformer 120V/24V	
160			383-900-108 Display board assembly	
170			381-330-037 Control module assembly	
180			383-900-110 Communication board	
190			591-392-043 Wire harness - line voltage	
200			591-392-046 Wire harness - low voltage	

Index		Notes	Part No.	
210			591-392-004 Wire harness - Low voltage communication board	
220			591-392-009 Wire harness - Communication Ethernet	
230			591-392-012 Ignition cable	
240			383-500-603 F2 - 3 amp 32VDC, fast blow ato	
250			383-500-604 F3 - 12 amp 250 Volt, fast-blow ag	
260			383-500-641 Jumper for low voltage terminal blocks	
270			383-900-111 Connector electrical control	
280			562-248-771 Low voltage sealed wire grommet	
290			512-050-248 Communication board terminal block	
300			383-900-112 Communication board standoffs	

Index		Notes	Part No.	
310			511-405-155 Circulator Evergreen 155	

No
Diagram
Available

Parts List
Only

Miscellaneous Parts And Kits

Index		Notes	Part No.	
			CHEMICALS	
			592-900-029 Antifreeze, Sentinel X500	
			592-900-002 Corrosion inhibitor, Sentinel X100	
			592-900-005 Sentinel X100 Quick Test Kit	
			BOILER ACCESSORIES	
			383-700-200 EVG 155 maintenance kit - igniter, igniter gasket, venturi gasket, cover plate gasket, venturi-gas valve o-ring, refractory, silicone, inhibitor test kit, clips and manuals	
			560-907-722 Condensate trap kit	
			CONDENSATE HANDLING ACCESSORIES	
			383-500-631 Condensate neutralizer kit	
			Natural Gas To Propane Conversion Kits	
			540-202-839 Propane orifice	

Index		Notes	Part No.	
			VENTAIR PARTS AND KITS (PVC or STAINLESS STEEL) available from Weil-McLain	
			383-500-778 Weil-McLain Direct Exhaust Venting Kit	
			383-500-397 3" Kit	
			382-200-430 Weil-McLain sidewall vent/air cap termination kit for AL29-4C vent pipe and PVC air pipe	
			383-500-100 Kit for 3" or 4" PVC vent and air pipes	
			383-700-172 Kit for 3" AL29-4C SS vent pipe and PVC air pipe	
			383-500-350 Kit for 3" PVC vent and air pipes	
			383-500-105 Bird screens For 3" PVC vent and air pipes	
			M&G Simpson-Duravent PolyPro SIDEWALL concentric vent/air kit 3" polypropylene pipe	

Index		Notes	Part No.	
			M&G Simpson-Duravent PolyPro VERTICAL concentric vent/air kit 3" polypropylene pipe	
			M&G Simpson-Duravent PolyPro SIDEWALL separate air and vent pipes 3" polypropylene pipe	
			M&G Simpson-Duravent PolyPro Polypropylene pipe appliance adapter 3"	
			Centrotherm INNOFLUE SIDEWALL concentric vent/air kit 3" polypropylene pipe	
			Centrotherm INNOFLUE SIDEWALL concentric vent/air kit 3" stainless steel/pp pipe	
			Centrotherm INNOFLUE VERTICAL concentric vent/air kit 3" polypropylene pipe	

Index		Notes	Part No.	
			Centrotherm INNOFLUE Polypropylene pipe appliance adapter 3"	