



## Replacement parts

**▲WARNING** Replacement parts must be purchased through a local WM Technologies distributor. When ordering, specify boiler model and size and include description and part number of replacement part. Results from using modified or other manufactured parts will not be covered by warranty and may damage boiler or impair operation.

**NOTICE** Weil-McLain part numbers are found in Weil-McLain Boilers and Controls Repair Parts Lists.

**▲WARNING** **The boiler contains ceramic fiber materials.** Use care when handling these materials per instructions on [page 91](#) of this manual. Failure to comply could result in severe personal injury.

### Reinstall boiler jacket front door after startup or servicing

**▲WARNING** Inspect boiler jacket front door gaskets and reinstall boiler jacket front door after start or servicing. The boiler front door must be securely fastened to the boiler to prevent boiler from drawing air from inside the boiler room. This is particularly important if the boiler is located in the same room as other appliances. Failure to keep the door securely fastened could result in severe personal injury or death.

**Figure 90** Propane conversion kits

**▲WARNING** Propane conversion must follow the instructions in this manual. Refer to [page 8](#) for details.

Natural to propane conversion kits — provided with boiler			
Sea level (up to 5,500 feet) and High altitude (over 5,500 feet)			
Model	Kit part #	Kit includes	Instructions
SF-550	383-600-074	550 LP Propane orifice Propane conversion label	See <a href="#">page 8</a> .
SF-750	383-600-075	750 LP Propane orifice 750 LP Blower orifice plate (2) blower orifice plate gaskets Propane conversion label	



## Replacement parts *(continued)*

**Figure 91** Miscellaneous parts and kits

Item	Description	Part Number
1	Condensate neutralizer kit (up to 1000 MBH)	383-600-076
2	Heat exchanger cleaning tool	591-706-200
3	Pressure relief valve ASME 30 PSI, 3/4" NPT female ASME 50 PSI, 3/4" NPT female ASME 80 PSI, 3/4" NPT female	383-600-063 383-600-064 383-600-065
4	Bird screen (1 each required for vent and air pipe termination) 6-inch (for 6-inch vent or air pipe) 8-inch (for 8-inch vent or air pipe)	560-907-633 560-907-634
5	<b>CHEMICALS</b> Antifreeze, aluminum-safe, Sentinel X500 (1 gallon) . . . . . Antifreeze, aluminum-safe, Sentinel X500 (5 gallon) . . . . . Corrosion inhibitor, Sentinel X100 (one tube, 275 ml) . . . . . Inhibitor quick-test kit. . . . . Cleaner, Sentinel X400 (one tube, 275 ml) . . . . .	592-900-029 592-900-006 592-900-002 592-900-005 592-900-003
6	Annual maintenance kit (for SF-550 or SF-750) consisting of: (1) ignitor (2) washers for ignitor (2) blower connection gaskets (1) ignitor gasket (1) inhibitor test kit (1) length of silicone cord for cleanout (2) screws for ignitor (1) suppressor plate	383-600-079
7	Vent adapter 6" for stainless steel vent pipe AL29-4C, Dura-Vent – FasNSeal™	383-600-083
8	<b>Minimum Water Flow Switch Kit</b>	<b>384-000-324</b>
9	<b>Isolation Valve, 2 Inch NPT</b>	<b>384-000-368</b>
10	<b>Replacement Isolation Valve Actuator</b>	<b>1004909026</b>
11	<b>Isolation Valve Position Switch</b>	<b>1004907211</b>
12	<b>Circulator Taco VR15M 1/1-2 Inch</b>	<b>511-405-157</b>
13	<b>Wireless Outdoor Temperature Sensor Kit</b>	<b>384-000-325</b>



## Replacement parts *(continued)*

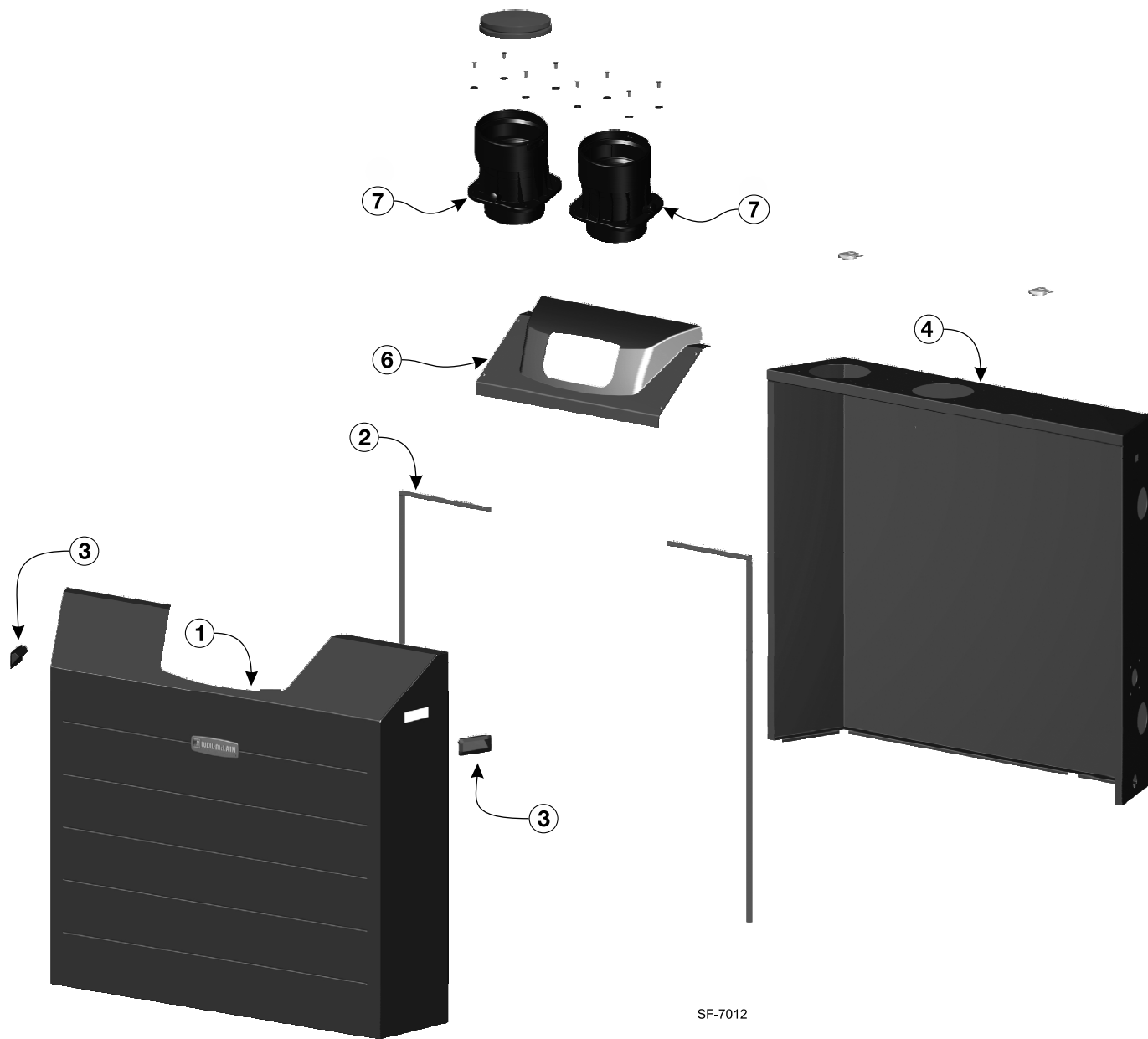
**Figure 92** Jacket parts

Item	Description	Part Number for SlimFit 550/750
1	Jacket front door	383-600-519
2	Door seal	383-600-022
3	Handle (2 required)	383-500-517
4	Back Jacket	383-600-526
5	Jacket seal kit (base seal, door seal, grommets and gaskets)	383-600-053
6	Plastic top cover (includes cover, gaskets and hardware)	383-600-054
7	Inlet/outlet adapter	593-000-052

Go to [www.weil-mclain.com](http://www.weil-mclain.com) to locate WM Technologies distributors

# Replacement parts *(continued)*

Figure 93 Jacket parts



SF-7012



## Replacement parts *(continued)*

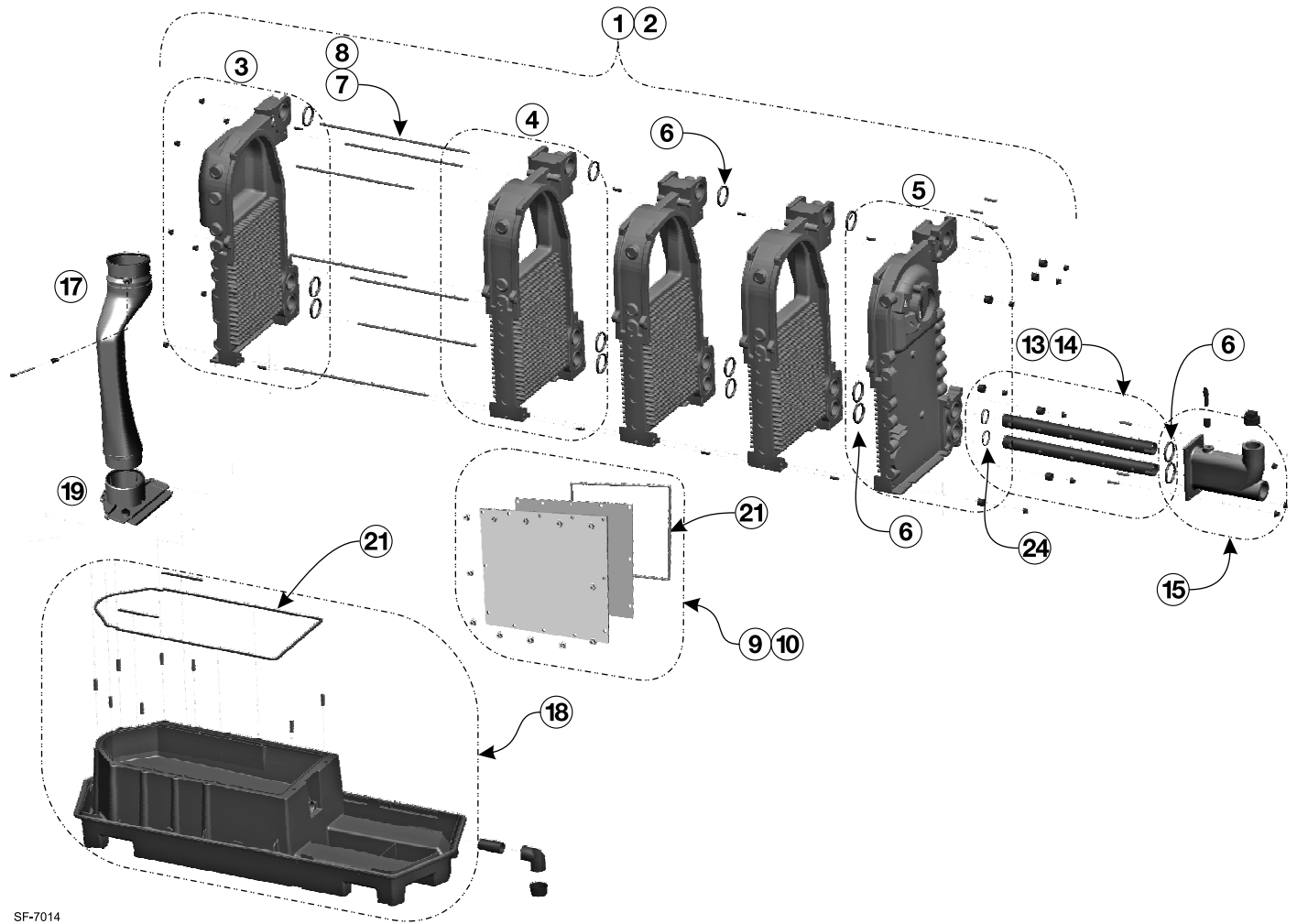
**Figure 94** Heat exchanger

Item	Description	Boiler Models	Part Number
1	5 section heat exchanger assembly kit (includes sections, o-rings, sealing cord & hardware)	550	383-600-029
2	6 section heat exchanger assembly kit (includes sections, o-rings, sealing cord & hardware)	750	383-600-028
3	Left end section replacement kit (includes section, o-rings, sealing cord and hardware)	550 / 750	383-600-036
4	Intermediate section replacement kit (includes section, o-rings, sealing cord and hardware)	550 / 750	383-600-037
5	Right end section replacement kit (includes section, o-rings, sealing cord and hardware)	550 / 750	383-600-038
6	Section/manifold o-ring, 60-mm (single o-ring only)	550 / 750	590-318-039
7	5 section draw rod kit	550	560-134-510
8	6 section draw rod kit	750	560-134-511
9	5 section heat exchanger cover plate kit (includes plate, nuts, sealing cord, insulation and silicone RTV sealant)	550	383-600-040
10	6 section heat exchanger cover plate kit (includes plate, nuts, sealing cord, insulation and silicone RTV sealant)	750	383-600-041
11	5 section supply distribution tube kit (distribution tube, o-ring and nuts)	550	383-600-033
12	6 section supply distribution tube kit (distribution tube, o-ring and nuts)	750	383-600-032
13	5 section return distribution tube kit (distribution tube, o-rings and nuts)	550	383-600-031
14	6 section return distribution tube kit (distribution tube, o-rings and nuts)	750	383-600-030
15	Return manifold casting kit (includes manifold, o-ring and nuts)	550 / 750	383-600-034
17	Plastic flue pipe	550 / 750	560-907-673
18	Plastic base assembly kit (includes base, sealing cord, silicone RTV sealant and hardware)	550 / 750	383-600-026
19	Adapter Flue Pipe / Inlet-Air Bottom	550 750	593-000-053 593-000-054
20	Base seal kit (base sealing gasket cord)	550 / 750	383-600-021
21	Red silicone cord kit (cover plate and base)	550 / 750	383-600-020
22	Tube of silicone RTV, high temperature, red	550 / 750	513-000-001
23	Tube of silicone RTV, high adhesive, black	550 / 750	513-000-000
24	Return distribution tube o-ring, 45 mm	550 / 750	590-318-040
25	Heat exchanger o-ring replacement kit (Not shown) [includes (18) 60-mm o-rings (Item 6); (2) 45-mm o-rings (Item 24); sealing cord; and silicone RTV sealant]	550 / 750	383-600-039

Go to [www.weil-mclain.com](http://www.weil-mclain.com) to locate WM Technologies distributors

# Replacement parts *(continued)*

Figure 95 Heat exchanger



SF-7014



## Replacement parts *(continued)*

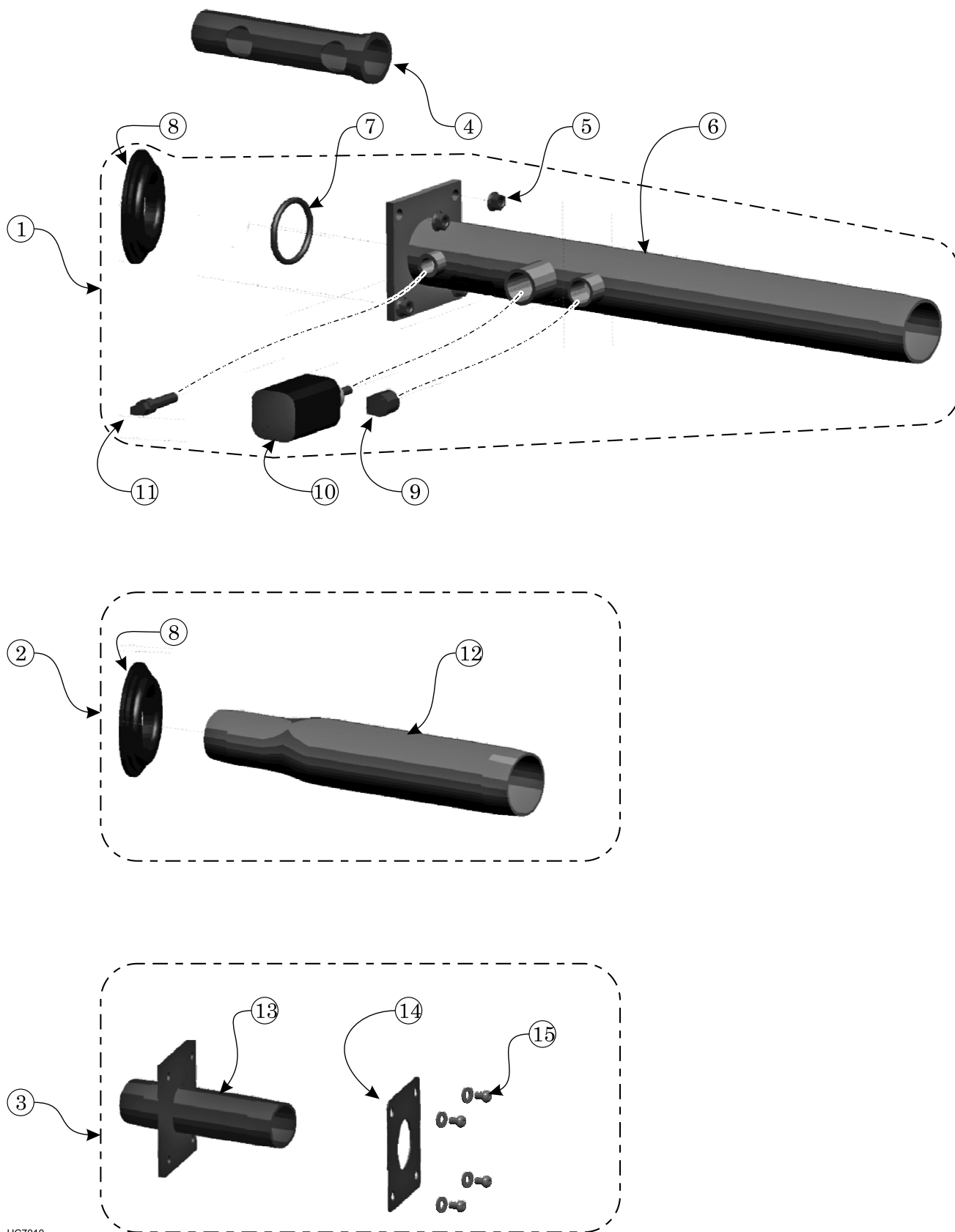
**Figure 96** Piping

Item	Description	Boiler Models	Part Number
1	Supply manifold kit (Includes items 5 through 8 and 10 through 14)	550 / 750	383-600-520
2	Return pipe kit (includes items 9 and 14)	550 / 750	383-600-035
3	Inlet gas pipe kit (includes items 16, 17, and 18)	550 / 750	383-600-056
4	Supply distribution pipe	See <a href="#">Figure 95, page 113</a>	
5	Serrated-flange nut, M8-1.25 (four (4) required)	550 / 750	In Item 1
6	Supply distribution manifold, 2" NPT	550 / 750	In Item 1
7	Section/manifold o-ring, 60 mm (included in Item 1; also see Item 6, <a href="#">Figure 95, page 113</a> )	550 / 750	590-318-039
8	Supply/return pipe grommet, 2" NPT x 3½" diameter (included in Item 1)	550 / 750	562-248-747
9	Plug, ½" NPT	550 / 750	In Item 1
10	Low water cut-off	550 / 750	383-600-069
11	Supply temperature sensor	See <a href="#">Figure 101, page 119</a>	
12	Return pipe, 2" NPT	550 / 750	In Item 2
13	Inlet gas pipe with flange	550 / 750	In Item 3
14	Inlet gas pipe gasket (included in Item 3)	550 / 750	590-300-017
15	Screws, 3/8-16 x ½", button head; washers, 3/8" SAE (4 of each required)	550 / 750	In Item 3



# Replacement parts *(continued)*

Figure 97 Piping



UC7010



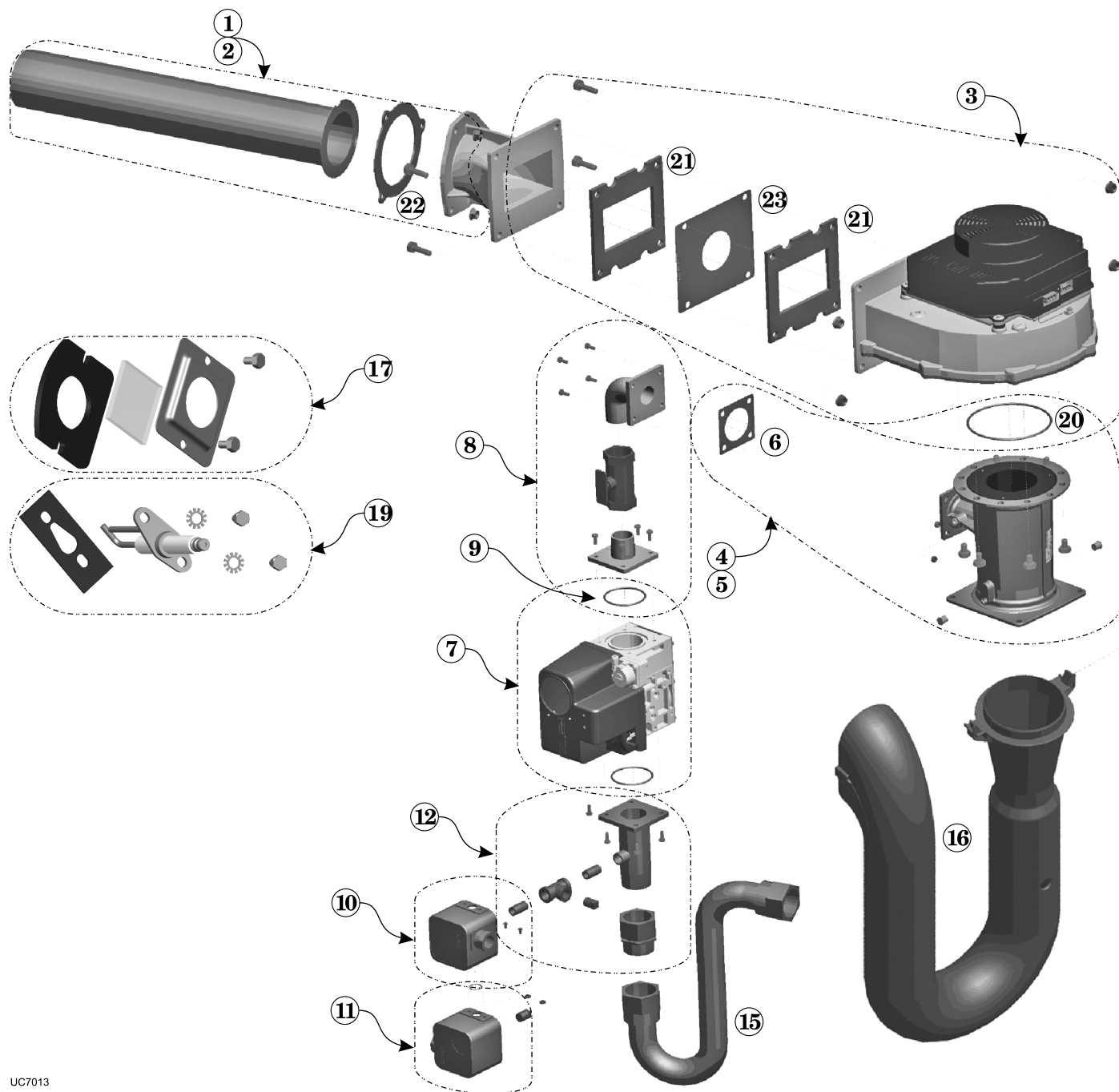
## Replacement parts *(continued)*

**Figure 98** Burner, blower, venturi and gas train

Item	Description	Part Number for SlimFit 550/750
1	5 section burner replacement kit (includes burner, gasket and nuts)	383-600-044
2	6 section burner replacement kit (includes burner, gasket and nuts)	383-600-043
3	Blower assembly kit (includes blower, gasket, o-ring and hardware)	383-600-045
4	5 section venturi replacement kit (includes venturi, o-ring and gasket)	383-600-067
5	6 section venturi replacement kit (includes venturi, o-ring and gasket)	383-600-068
6	Venturi to gas pipe gasket	590-300-022
7	Gas valve replacement kit (includes gas valve only)	383-600-066
8	Gas valve to venturi piping kit (includes piping, gasket, o-ring and hardware)	383-600-046
9	O-Ring, gas valve to adapter pipe	590-318-042
10	Low gas pressure switch replacement kit (includes switch and nipple)	383-600-049
11	High gas pressure switch replacement kit (includes switch and nipple)	383-600-048
12	Gas pressure switch piping	383-600-047
13	Gas pressure switch harness (not shown)	383-600-059
14	Gas valve harness (not shown)	591-391-960
15	Flexible gas line	560-900-021
16	Air silencer	560-900-020
17	Inspection glass kit (includes retainer, glass, gasket and screws)	383-500-020
18	Ignition cable kit (not shown)	383-500-619
19	Ignition electrode kit (includes ignitor, gasket and hardware)	383-600-070
20	Venturi-to-blower o-ring (included in item 4 and item 5)	590-318-041
21	Blower outlet gasket (included in item 3)	590-300-018
22	Burner gasket (included in item 1 and item 2)	590-300-011
23	Blower orifice plate for SF-550 (used for both natural gas and propane)	383-600-078
	Blower orifice plate for SF-750 (used only on SF-750 propane)	See propane conversion kit (Figure 90, page 108)

# Replacement parts *(continued)*

Figure 99 Burner, blower, venturi and gas train



UC7013



## Replacement parts *(continued)*

**Figure 100** Controls

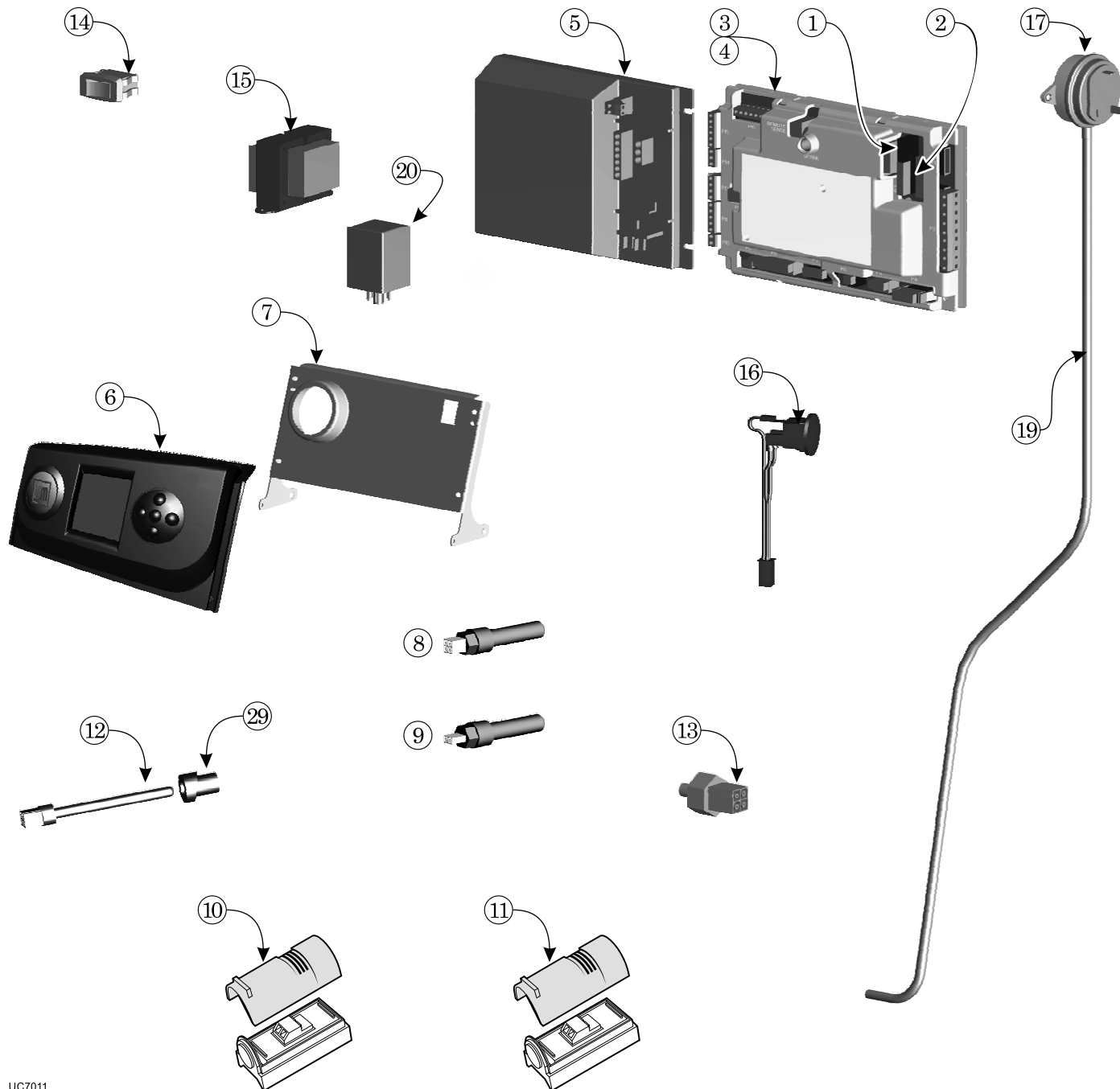
Item	Description	Part Number for SlimFit 550/750
1	3-amp, fast-blow ATO (5 fuses)	383-500-603
2	12-amp, slow-blow AG (5 fuses)	383 500 604
3	Control module	383-600-162
4	Kit - Service Conversion Series 1 to Series 2 (Includes items 3, 5, 6, 23, 24 & 27)	383-600-164
5	Expansion module	383-600-160
6	Display board assembly	383-600-518
7	Display bracket kit	383-600-042
8	Supply temperature sensor replacement kit, dual sensor (sensor only)	383-600-072
9	Return temperature sensor replacement kit, single sensor (sensor and bushing)	383-600-071
10	Outdoor temperature sensor	510-312-218
11	System temperature sensors	383-500-601
12	Flue Temperature sensor replacement kit (sensor and grommet)	383-500-600
13	Heat exchanger temperature sensor	383-500-602
14	On/off power switch	383-500-205
15	Transformer, 120v/24v	383-500-628
16	Receptacle, 120 volt, 3-wire pre-wired	591-391-959
17	Air pressure switch kit (includes switch, tube and mounting screws)	383-600-073
18	Hose barb for air pressure switch sensing tube connection (not shown)	562-302-525
19	Air pressure switch sensing tube (included in item 18)	In Item 18
20	Blower power relay	570-350-230
21	SlimFit Control terminal block kit (not shown)	383-500-642
22	Control to Expansion Module wire harness, RS485 (not shown)	383-500-633
23	Expansion module to display harness, Cat-se RJ4S (not shown)	383-600-163
24	Upper line voltage wire harness (EP2, EP4, power input and blower relay) (not shown)	383-600-057
25	Low line voltage wire harness (not shown)	591-391-958
26	Upper low voltage wire harness (not shown)	383-600-158
27	Lower low voltage wire harness (P4 through P9 and other) (not shown)	591-391-956
28	Jumper for low voltage terminal blocks ( 5 jumpers) (not shown)	383-500-641
29	Flue temperature sensor gasket	590-318-011
30	Pressure/ Temperature gauge (not shown)	510-218-099

Go to [www.weil-mclain.com](http://www.weil-mclain.com) to locate WM Technologies distributors



# Replacement parts *(continued)*

Figure 101 Controls



UC7011