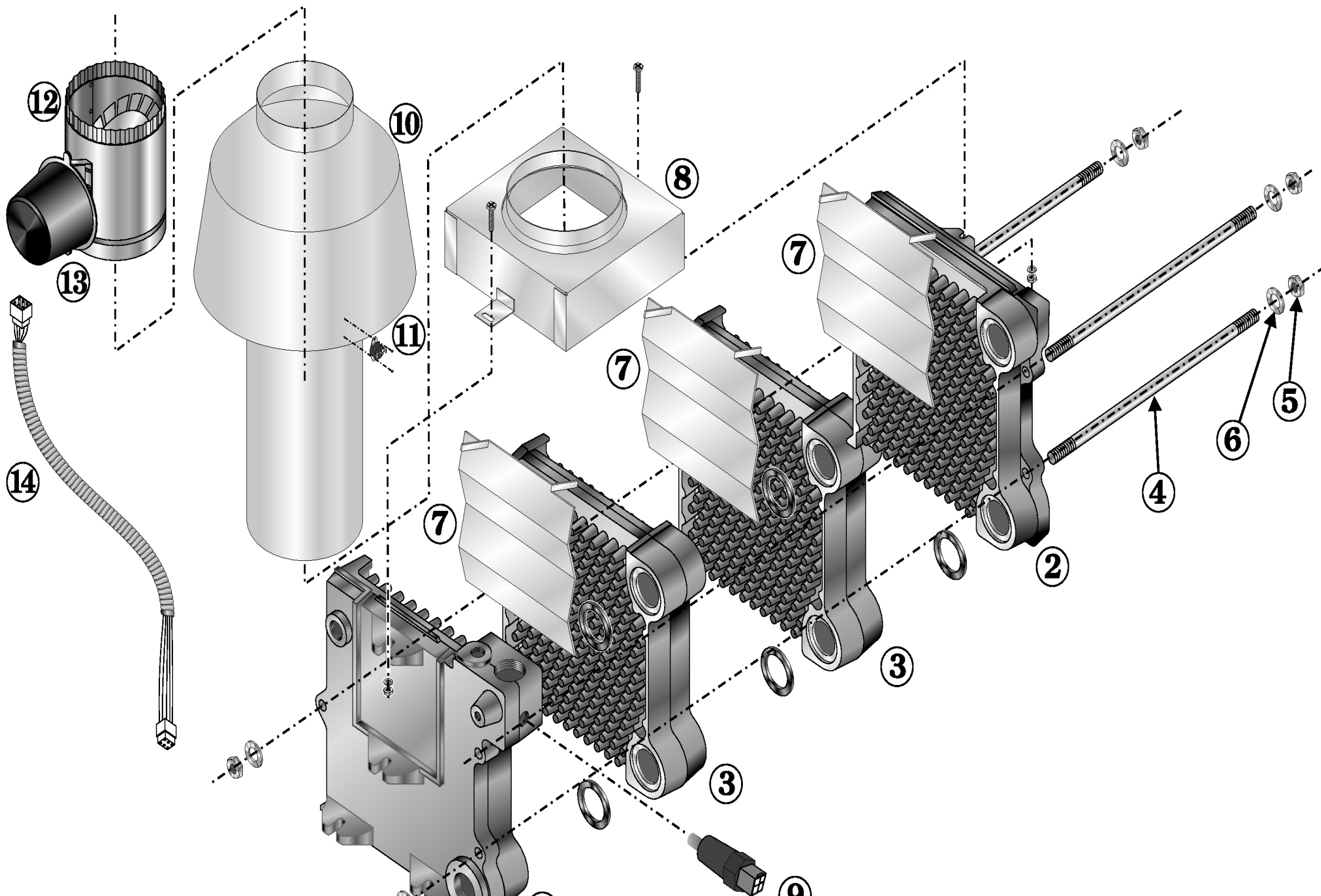


Section Assembly

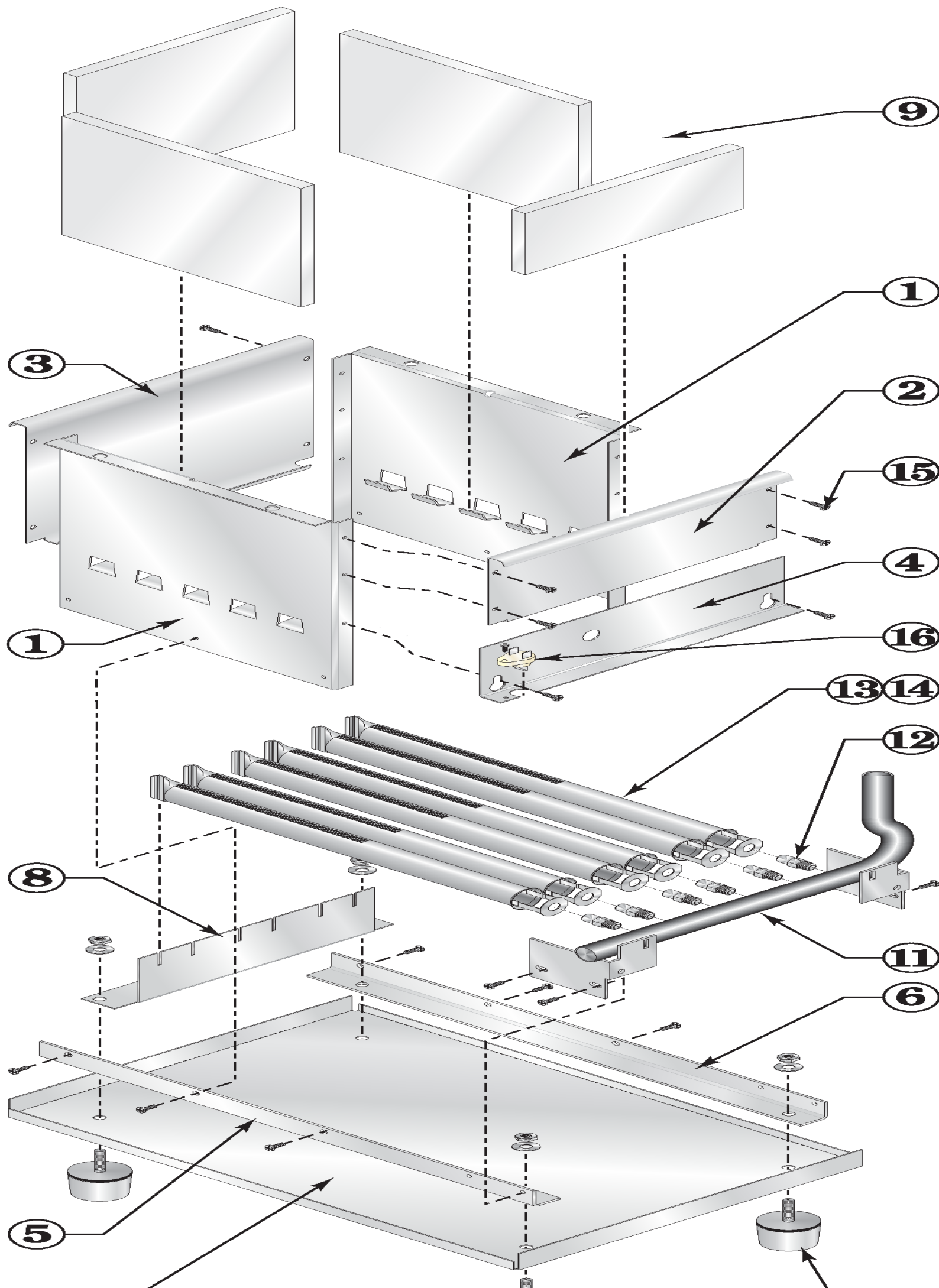


## Section Assembly

Index		Notes	Part No.	
1			311-103-851 Left Hand End Section 51124	
2			311-103-821 Right Hand End Section 51128	
3			311-103-845 Intermediate Section, Cast #51127	
			321-114-363 Replacement Section Assembly	
			381-354-527 Section Replacement Kit	
			591-608-915 Retort Cement - Tube - 11oz	
4			560-234-503 7/16" X 18" Tie Rod Without Nut	
5			561-928-235 Regular Hex Nut 7/16"	
6			562-248-684 7/16" Washer Medium Plain Split Lock	
7			460-003-017 Radiation Plate	
8			381-354-629 Collector Hood Replacement Kit	
9			381-356-589 Temperature/LWCO Sensor	

Index		Notes	Part No.	
10			450-021-244 Draft Hood 6"-Top, 7" Bottom Opening	
11			510-300-013 Spill Switch With Reset, 210°F	
12			381-800-476 Vent Damper Assembly, 6"	
13			510-512-337 Vent Damper Actuator	
14			591-391-795 Vent Damper Harness	

Base Assembly



### Base Assembly

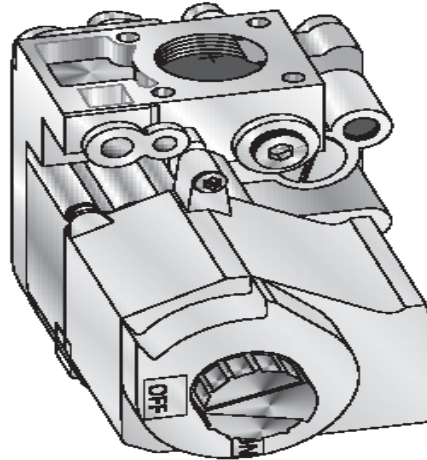
Index		Notes	Part No.	
			381-354-359 Base Replacement Carton	
1			Base Side Panel	
2			Base Front Cross Tie	
3			Base Back Cross Tie	
4			Access Panel	
5			Base Pan Side Angle, Left Side	
6			Base Pan Side Angle, Right Side	
7			Base Pan	
8			450-003-739 Base Burner Rest	
9			381-354-519 Base Replacement Insulation Carton	
10			590-424-253 Boiler Leg Kit	
11			591-126-619 Manifold	
12			560-528-997 Natural Gas Orifice 2.0mm Drill, 7/16" Hex, " N.P.T.	
12			560-528-998 LP Gas Orifice 1.3mm Drill, 7/16" Hex, " N.P.T.	
13			512-200-077 Stainless Steel Regular Burner	

Index		Notes	Part No.	
14			512-200-078 Steel Pilot Burner With Pilot Bracket, L/P-Standing Pilot, and PI Versions Only	
15			Screw, 1032 X 0.38 STP Type D Hex, Washer Head Slot	
16			512-050-230 Rollout Thermal Fuse Element, 228°C	

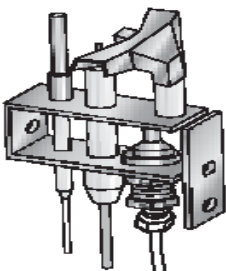
# Spark-ignited pilot controls



1

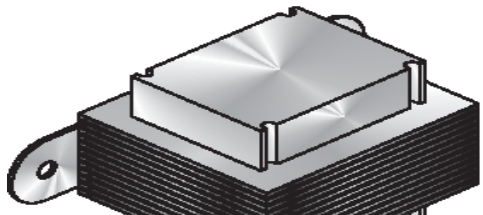


3



2

4

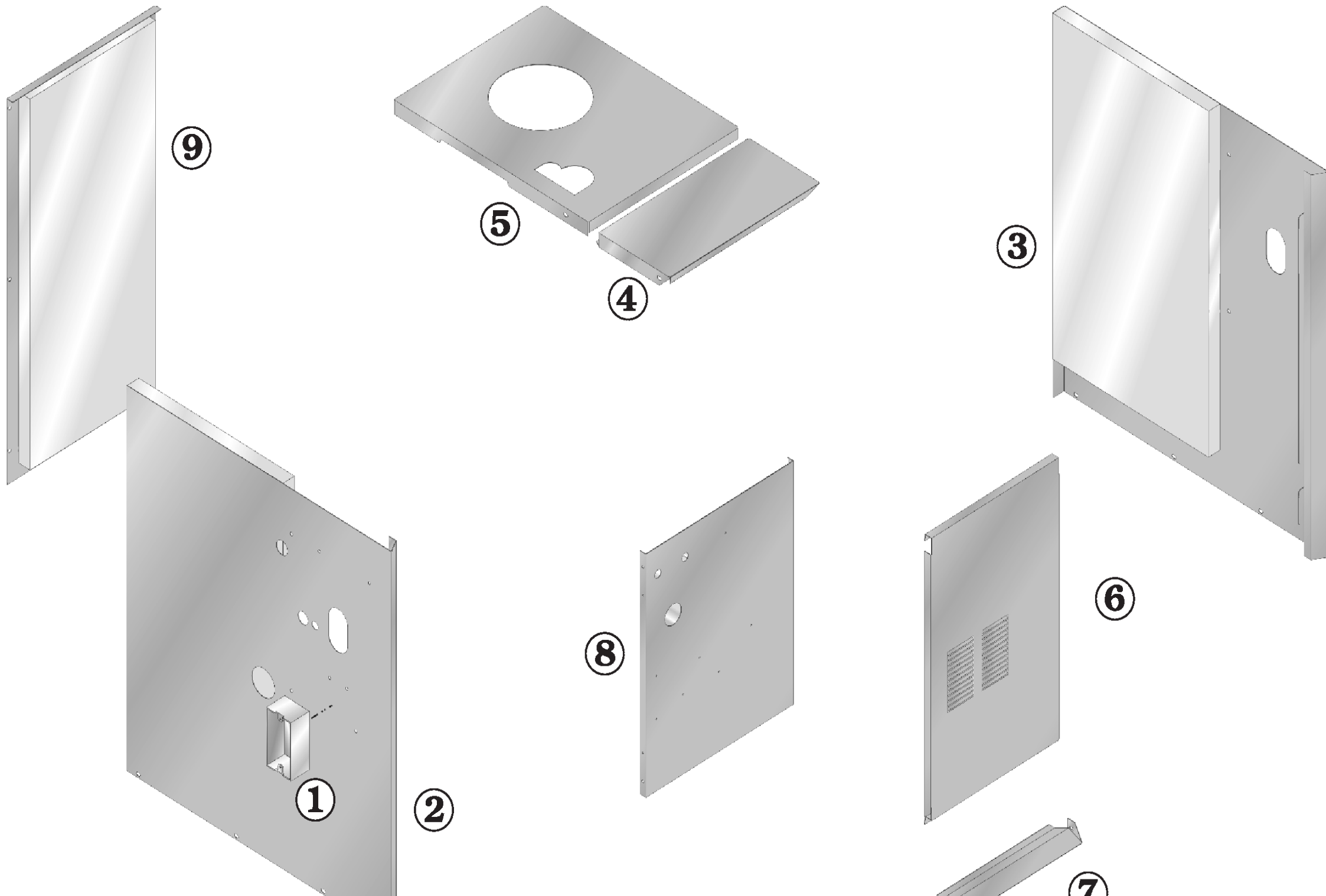


Controls

Index		Notes	Part No.	
			Spark Ignition Components For Natural Gas	
1			511-044-381 Combination Gas Valve (NG), ½" x ½" N.P.T., 24 Volt	
2			511-330-218 Pilot Assembly Kit	
3			381-330-039 Control Module - Natural Gas	
			Spark Ignition Components For Propane Gas	
1			511-044-356 Gas Valve ¾" X ¾" - 2.5" Step Open	
2			511-330-273 Pilot Assembly Kit	
3			381-330-038 Control Module- Propane Gas	
			Common Components For Both Natural and Propane Gas	
			591-391-995 Wire Harness, WaterTemperature/ LWCO Sensor	
			591-391-975 Wire Harness, Power, J Box To Module	

Index		Notes	Part No.	
			591-392-006 Thermostat Harness	
			591-391-977 Wire Harness, Controls To Module	
4			381-356-578 Control Transformer, 24 Volt, 40 VA	
			Gas Conversion Kits	
			510-811-980 Natural Gas To Propane	
			510-811-982 Propane To Natural Gas	
			Control Kits	
			381-356-586 Outdoor Temperature Sensor Kit	
			381-356-585 Zone Interface Harness Kit	
			383-500-125 Outdoor Temperature Sensor - 30/50° C, 12K ohms	

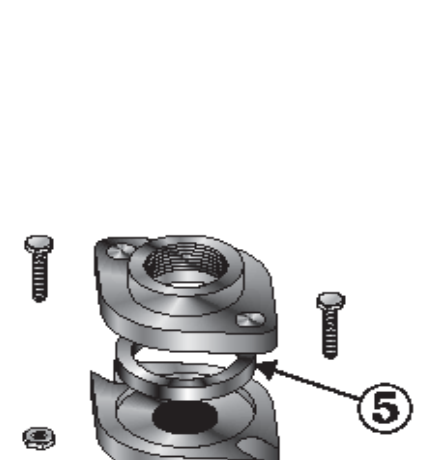
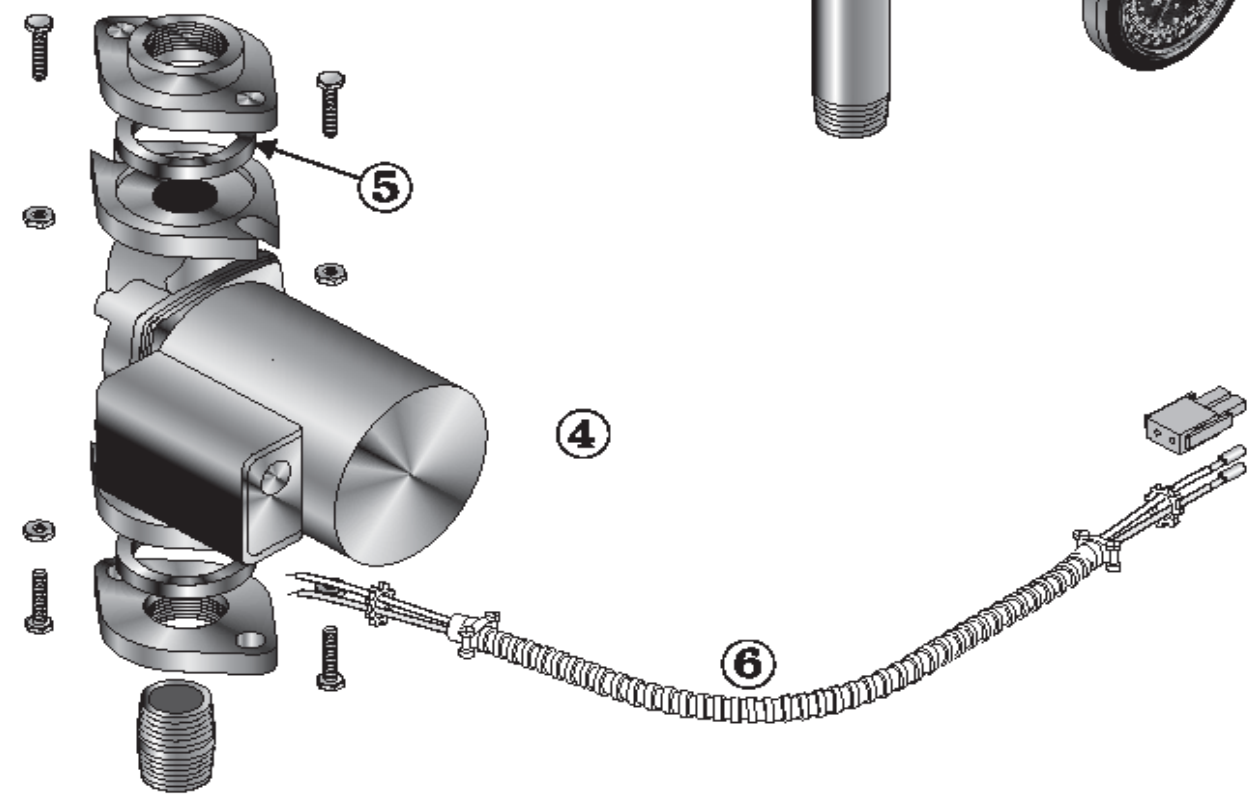
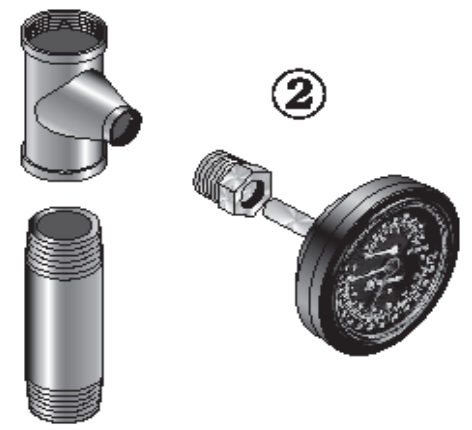
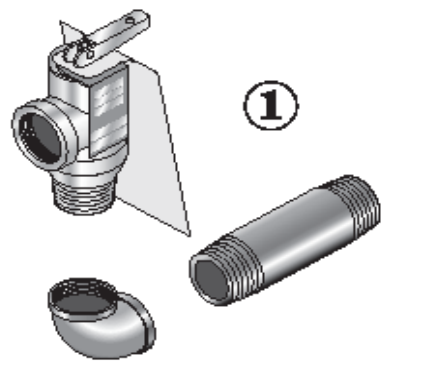
Jacket Assembly



## Jacket Assembly

Index		Notes	Part No.	
1			Junction Box, 2" x 4"	
2			381-359-205 Jacket Panel, Left Side, With Insulation, for NG	
2			381-359-212 Jacket Panel, Left Side, With Insulation, for LP	
3			381-359-229 Jacket Panel, Right Side, With Insulation	
4			381-359-233 Jacket Panel, Top Front	
5			381-359-239 Jacket Panel, Top Rear	
6			381-359-251 Jacket Panel, Door	
7			381-359-263 Jacket Cross Tie, Bottom Front	
8			381-359-269 Jacket Panel, Interior, With Insulation	
9			381-359-275 Jacket Panel, Rear, With Insulation	
			381-359-278 Touch Up Paint - Cloud	
			384-000-141 Touch Up Paint - Slate	

Water Trim



4

6

## Water Trim

Index		Notes	Part No.	
1			383-500-095 Relief valve	
2			380-000-000 Pressure & temperature gauge	
3			511-210-423 Drain Valve, ¾" N.P.T., 1½" Shank, Brass	
4			511-405-113 Circulator, 1/25 HP, 120/60/1 Motor, 1,750 R.P.M., .75 Amps	
5			590-317-535 Universal Circulator Gasket	
			381-354-526 Circulator Hardware Kit	
6			381-356-528 Circulator Wiring Harness Kit with Molex	