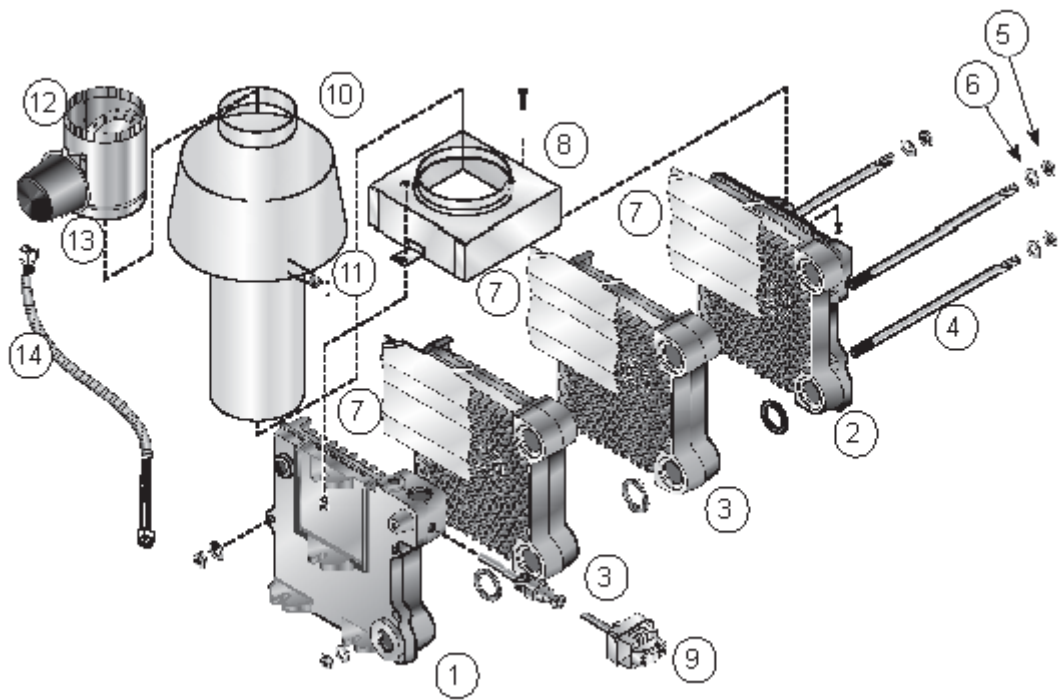


Section Assembly Parts

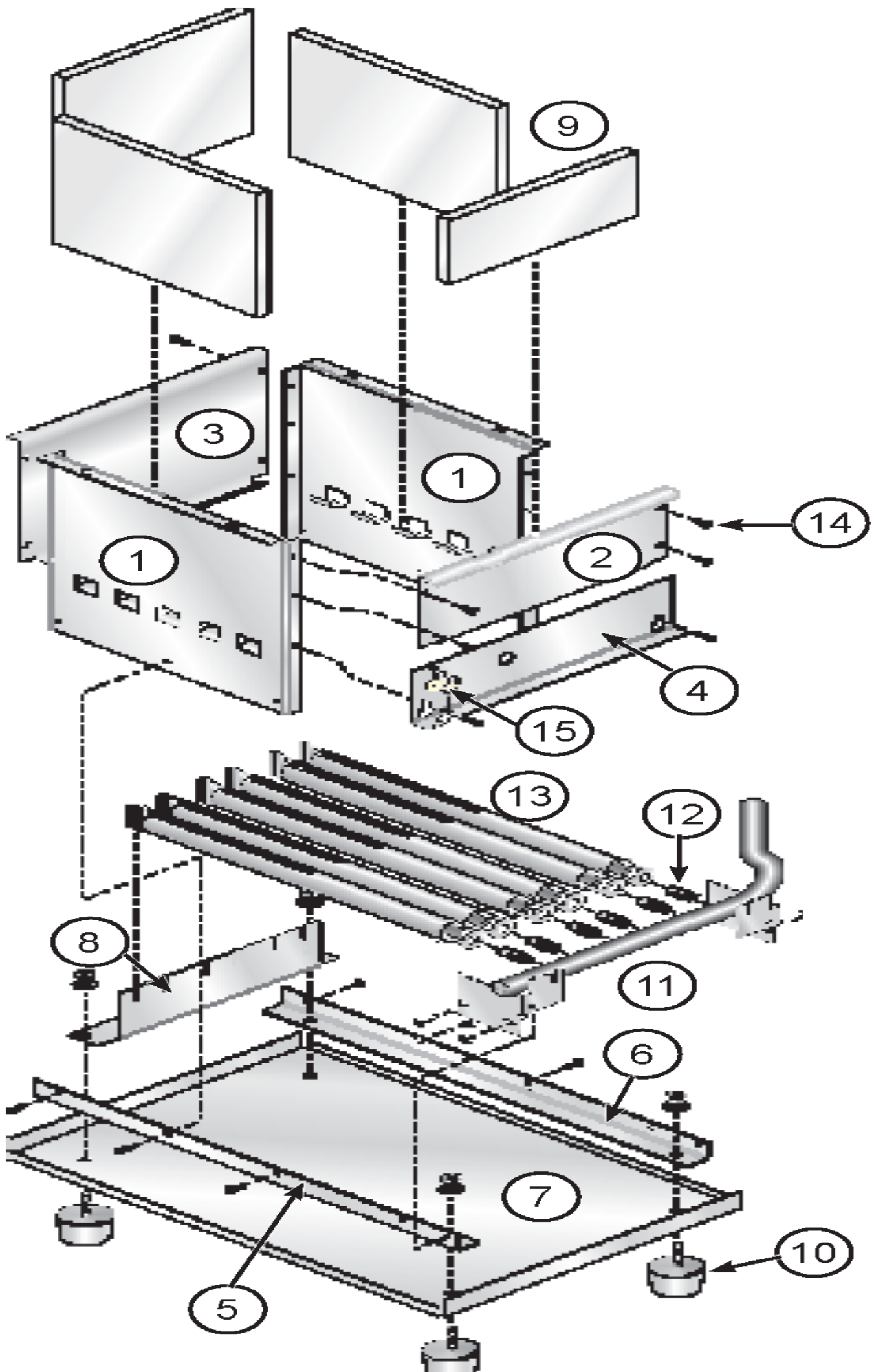


### Section Assembly Parts

Index		Notes	Part No.	
1			311-103-850 End Section, Left Hand, Cast #51124	
2			311-103-821 Right Hand End Section 51128	
3			311-103-818 Intermediate Section 51125	
			321-114-291 Section Assembly	
			381-354-527 Section Replacement Kit	
			591-608-915 Retort Cement - Tube - 11oz	
4			560-234-505 7/16" X 24" Tie Rod Without Nut	
5			561-928-235 Regular Hex Nut 7/16"	
6			562-248-684 7/16" Washer Medium Plain Split Lock	
7			460-003-700 Radiation Plate with Horizontal Bends	
8			381-354-631 Collector Hood Replacement Kit	

Index		Notes	Part No.	
9			510-312-250 High Limit Temperature Control, Auto Recycle, 140-240° F, 30° Fixed Subtractive Differential, With ½" N.P.T Well	
10			450-021-246 Draft Hood 7"-Top, 8" Bottom Opening	
11			510-300-014 Spill Switch With Reset, 240° C	
12			381-800-477 Vent Damper Assembly, 7"	
13			510-512-337 Vent Damper Actuator	
14			591-391-795 Vent Damper Harness	

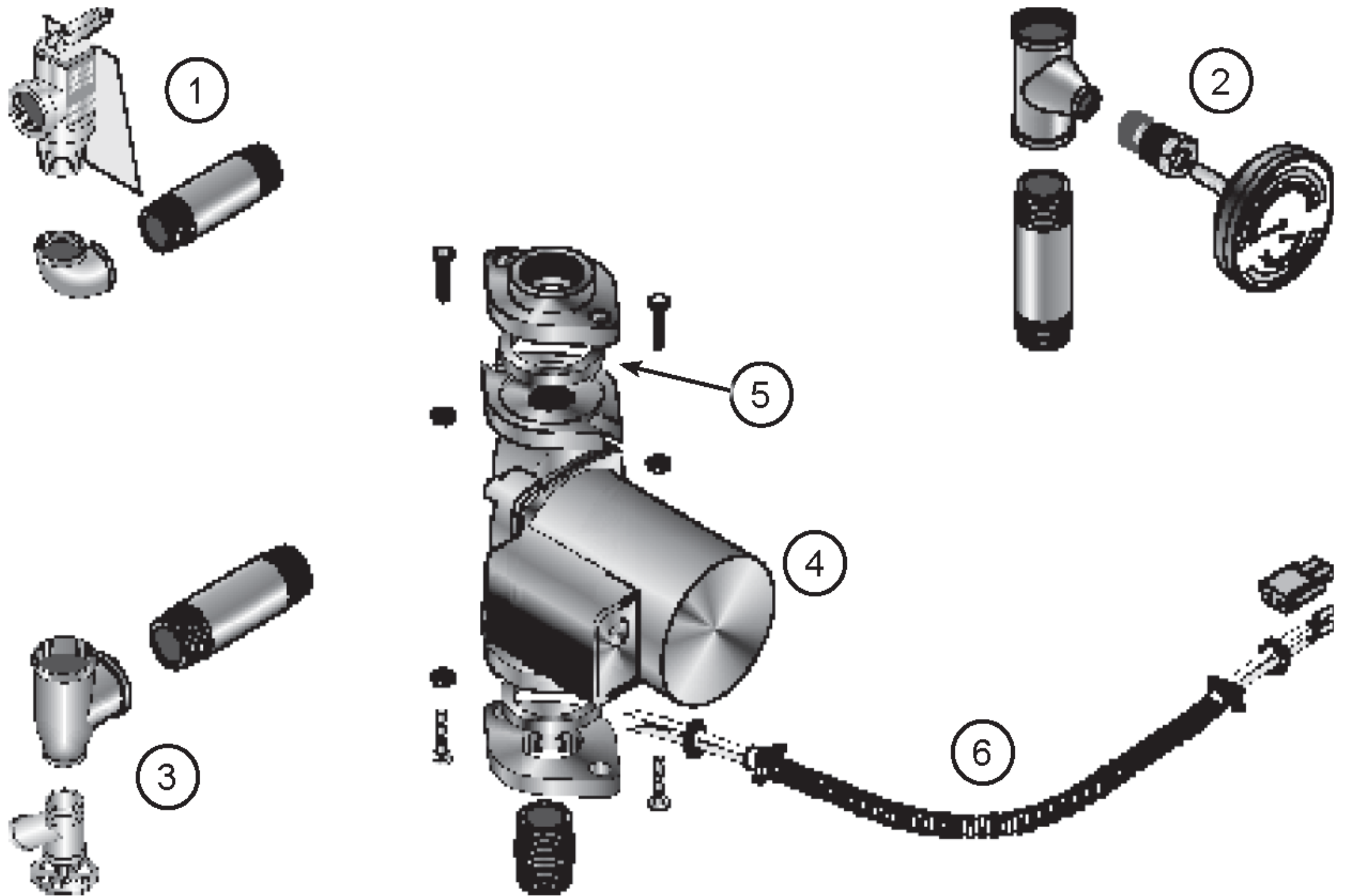
Base Assembly



### Base Assembly

Index		Notes	Part No.	
1			460-003-710 Base Side Panel	
2			460-003-782 Base Front Cross Tie	
3			460-003-706 Base Back Cross Tie	
4			460-003-746 Base Access Panel	
5			450-030-971 Base Pan Angle - Universal Right or Left	
6			450-030-971 Base Pan Angle - Universal Right or Left	
7			450-003-735 Base Pan	
8			450-003-741 Base Burner Rest	
9			381-354-519 Base Replacement Insulation Carton	
10			590-424-252 Base Leg Assembly 1½" Gray	
11			591-126-557 Manifold	
12			560-528-997 Natural Gas Orifice 2.0mm Drill, 7/16" Hex, " N.P.T.	
12			560-528-998 LP Gas Orifice 1.3mm Drill, 7/16" Hex, " N.P.T.	

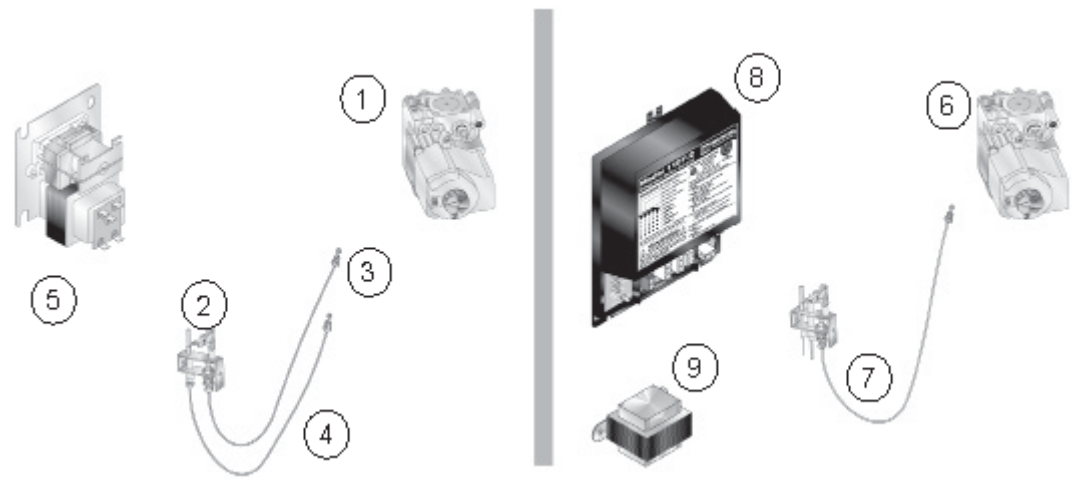
Index		Notes	Part No.	
13			512-200-077 Stainless Steel Regular Burner	
			512-200-079 Steel Regular Burner With Pilot Bracket, SPN Version Only	
			512-200-078 Steel Pilot Burner With Pilot Bracket, L/P-Standing Pilot, and PI Versions Only	
14			Screw, 1032 x 3/8" STP Type D HEX, Washer Heat Slotted, Zinc Plated	
15			512-050-230 Rollout Thermal Fuse Element, 228°C	
			381-354-361 Base Replacement Carton	



Water Trim

Index		Notes	Part No.	
1			383-500-095 Relief valve	
2			380-000-000 Pressure & temperature gauge	
3			511-210-423 Drain Valve, ¾" N.P.T., 1½" Shank, Brass	
4			511-405-113 Circulator, 1/25 HP, 120/60/1 Motor, 1,750 R.P.M., .75 Amps	
5			590-317-535 Universal Circulator Gasket	
			381-354-531 Circulator Hardware Kit	
6			591-319-793 Temperature Control Wiring Harness	
6			381-356-528 Circulator Wiring Harness Kit with Molex	

Control Parts



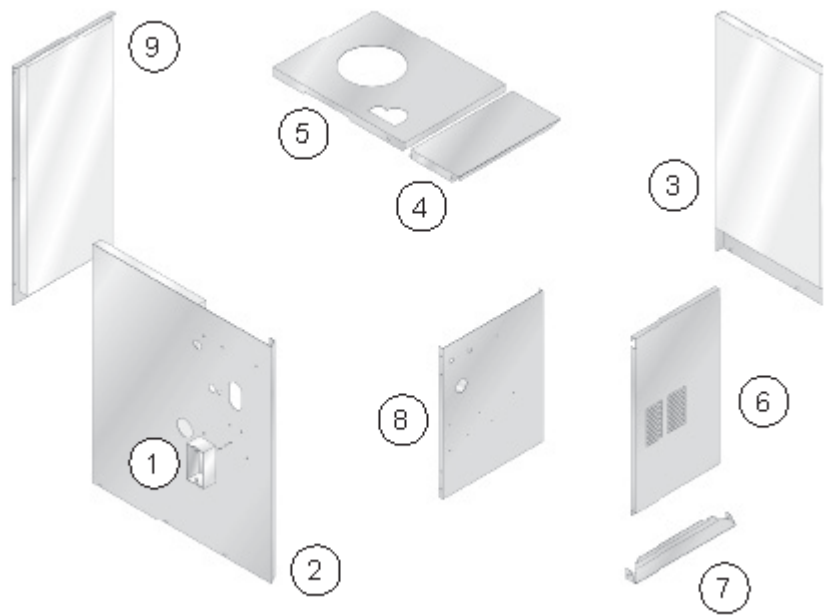
Control Parts

Index		Notes	Part No.	
			Natural Gas	
1			511-044-256 Combination Gas Valve	
2			510-811-644 Natural Gas Pilot Replacement Kit	
3			560-742-860 Bleed Line Aluminum Tubing, " O.D. X 22 <sup>3</sup> / <sub>4</sub> " Long	
4			511-724-254 Thermo-couple 30", Screw In	
			Propane Gas	
1			381-356-534 Combination Gas Valve, ½" x ½" N.P.T., 24 Volt	
2			510-811-646 LP Gas Pilot Replacement Kit	
3			560-742-860 Bleed Line Aluminum Tubing, " O.D. X 22 <sup>3</sup> / <sub>4</sub> " Long	
4			511-724-253 Thermocouple, 48" Long	
			Standing Pilot Components For Natural and Propane Gas	

Index		Notes	Part No.	
5			510-312-167 Combination Transformer and DPST Relay, 120/24 Volt, 40 VA	
			510-350-223 Plug-In Relay, DPST, 24 Volt Holding Coil	
			510-312-166 Control Transformer/Relay Receptacle 120/24 Volt, 40 VA	
			591-391-862 Wiring Harness	
			510-811-363 Conversion Kit: Natural To Propane	
			510-811-357 Conversion Kit: Propane To Natural	
			Spark Ignition Components For Natural Gas	
			Spark Ignition Cannot Be Used With Propane Gas	
6			511-044-382 Gas Valve, 3/4" X 3/4" NPT, 1.2" Step Open	
7			511-330-218 Pilot Assembly Kit	
8			511-330-079 Ignition Control Module	

Index		Notes	Part No.	
9			511-842-370 24 volt Step Down Transformer, 40 VA	
			591-391-900 Wiring Harness Junction Box To Control Module	
			591-391-905 Wire Harness, Spark Ignition, Controls	

# Jacket Assembly Parts



### Jacket Assembly Parts

Index		Notes	Part No.	
1			Junction box, 2 x 4	
2			381-355-438 Jacket Panel, Left Side, With Insulation, for NG	
2			381-355-463 Jacket Panel, Left Side, With Insulation, for LP	
2			381-355-489 Panel, Left Side, With Insulation	
3			381-355-793 Panel, Right Side, With Insulation	
3			381-355-793 Panel, Right Side, With Insulation	
3			381-355-793 Panel, Right Side, With Insulation	
4			381-355-441 Jacket Panel, Top Front	
5			381-355-442 Panel, Top Rear	
6			381-355-444 Panel, Door	
7			431-223-330 Cross Tie, Bottom Front	
8			381-355-443 Panel, Interior, With Insulation	

Index		Notes	Part No.	
9			431-223-305 Panel, Rear, With Insulation	
			592-002-029 Touch Up Paint - Gold - Low E 4.5oz Can	