



Replacement parts — EG/PEG

Table 13 EG/PEG replacement parts

Item	Description	Boiler Models	Part Number
A	Left hand end section with heater opening (Pattern No. 1814)	—	311-800-014
	Left hand end section without heater opening (Pattern No. 1813)	—	311-800-007
B	Right hand end section without heater opening (Pattern No. 18128)	—	311-800-029
C	Intermediate section (Pattern No. 1815)	—	311-800-010
D	Draft hood	EG 30-35	450-021-292
		EG 40-45	450-021-258
		EG 50-55	450-021-293
		EG-65	450-021-261
		EG-75	450-021-262
E	Collector hood	EG-30, 35	450-014-733
		EG-40, 45	450-014-734
		EG-50, 55	450-014-735
		EG-65	450-014-736
		EG-75	450-014-737
F	Burner, stainless tube, regular	—	512-200-000
F ₁	Burner, stainless tube, with pilot bracket	—	512-200-001
G	Manifold	EG-30	591-125-533
		EG-35	591-125-538
		EG-40	591-125-534
		EG-45	591-125-539
		EG-50	591-125-535
		EG-55	591-125-540
		EG-65	591-125-541
		EG-75	591-125-542
	Main burner orifice, natural gas, 2.35mm	EG 30-65	560-528-991
	Main burner orifice, natural gas, 2.30mm	EG-75	560-528-975
	Section assembly complete with heater opening (not shown)	EG 30-35	321-811-095
	Section assembly complete without heater opening (not shown)	EG-35	321-811-100
	Section assembly complete with heater opening (not shown)	EG 40-45	321-811-110
	Section assembly complete without heater opening (not shown)	EG 40-45	321-811-115
	Section assembly complete with heater opening (not shown)	EG 50-55	321-811-120
	Section assembly complete without heater opening (not shown)	EG-50-55	321-811-125
	Section assembly complete with heater opening (not shown)	EG-65	321-811-130
	Section assembly complete without heater opening (not shown)	EG-65	321-811-135
	Section assembly complete with heater opening (not shown)	EG-75	321-811-140
	Section assembly complete without heater opening (not shown)	EG-75	321-811-145
	Retort cement (1 quart) (not shown)	—	591-602-913
	Flue brush (not shown)	—	591-706-214

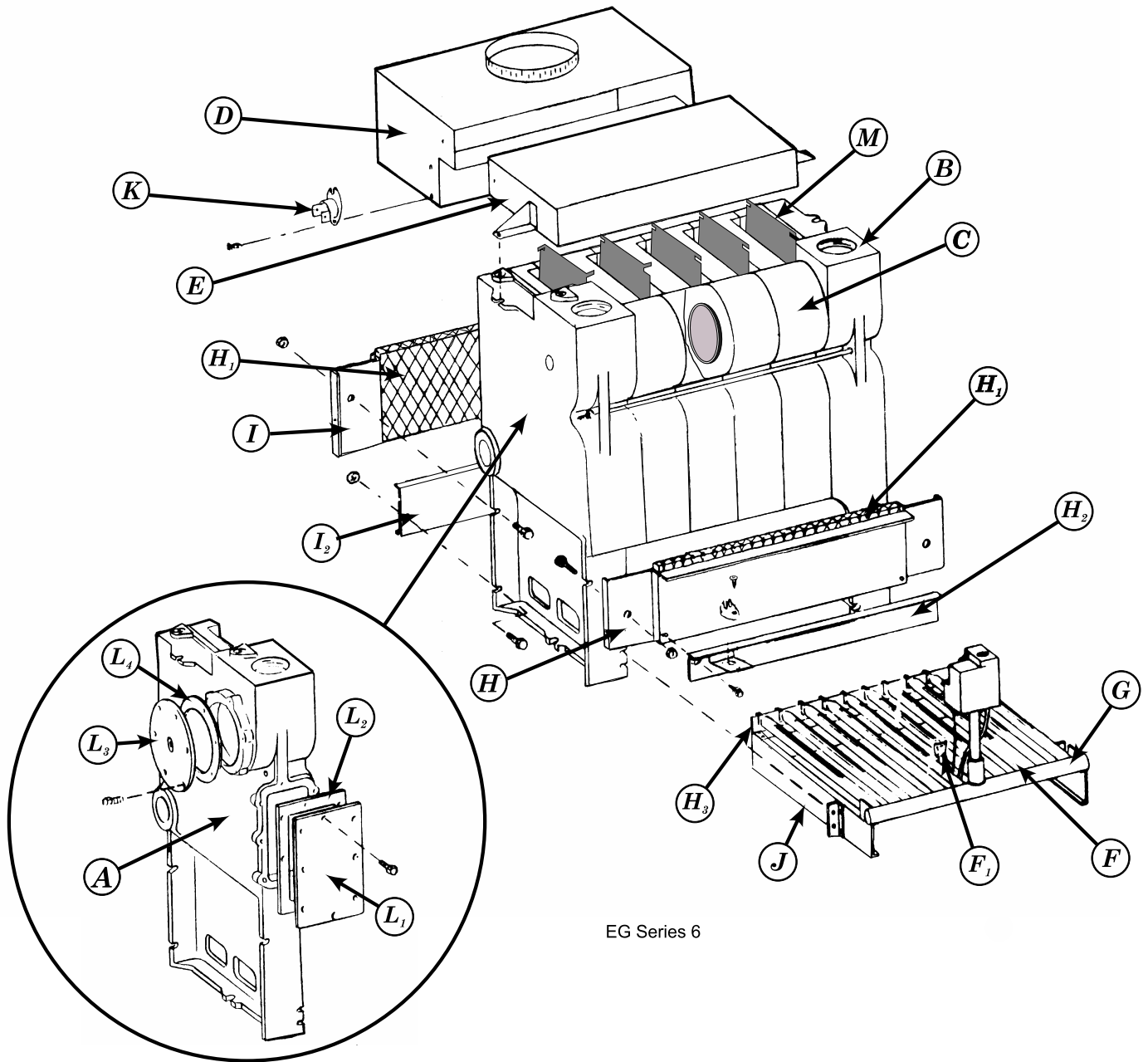
Item	Description	Boiler Models	Part Number
H	Front base panel	EG-30, 35	451-800-000
		EG-40, 45	451-800-001
		EG-50, 55	451-800-002
		EG-65	451-800-003
		EG-75	451-800-004
H ₁	Base insulation kit (includes front and rear base panel insulation, water glass, and boiler cement)	—	510-811-660
H ₂	Base front access panel with flame rollout switch bracket	EG-30, 35	451-800-040
		EG-40, 45	451-800-041
		EG-50	451-800-039
		EG-55	451-800-042
		EG-65	451-800-043
		EG-75	451-800-044
H ₃	Back burner support	EG-30	451-800-085
		EG-34	451-800-086
		EG-40	451-800-087
		EG-45	451-800-088
		EG-50	451-800-089
		EG-55	451-800-090
		EG-65	451-800-092
		EG-75	451-800-094
I	Back base panel	EG-30, 35	451-800-010
		EG-40, 45	451-800-011
		EG-50, 55	451-800-012
		EG-65	451-800-013
		EG-75	451-800-014
I ₂	Back base channel	EG-30, 35	451-800-020
		EG-40, 45	451-800-021
		EG-50, 55	451-800-022
		EG-65	451-800-023
		EG-75	451-800-024
J	Base side rail (2 required)	—	451-800-070
K	Spill switch	—	510-300-013
L	Cover plate for heater opening (rectangular)	—	389-900-103
L ₂	Gasket for cover plate (rectangular)	—	590-317-579
L ₃	Cover plate for heater opening (round)	—	389-900-101
L ₄	Gasket for cover plate (round)	—	590-317-495
M	Flue baffle (1 per joint)	—	460-003-790
	Section replacement kit (includes 3" and 6" elastomer seal, 2 pieces of rope, tube of silicone, order 1 per joint between sections) (not shown)	—	381-800-667
	3" Diameter bottom elastomer seal (1 per joint)	—	592-800-010
	6" Diameter top elastomer seal (1 per joint)	—	592-800-007
	Sealer for sections (2 pieces of rope, tube of silicone per joint between sections) (not shown)	—	591-641-865
	½" x 14" Tie rod w/o nut (2 per boiler) (not shown)	EG-30, 35	560-234-470
	½" x 18½" Tie rod w/o nut (2 per boiler)(not shown)	EG-40, 45	560-234-475
	½" x 22¾" Tie rod w/o nut (2 per boiler)(not shown)	EG-50, 55	560-234-480
	½" x 27" Tie rod w/o nut (2 per boiler)(not shown)	EG-65	560-234-485
	½" x 31¼" Tie rod w/o nut (2 per boiler)(not shown)	EG-75	560-234-490
	½" Nut (2 per tie rod) (not shown)	—	561-928-221
	½" Lock washer (1 per tie rod) (not shown)	—	562-248-668

Note 1: Order sufficient quantities to replace all orifices within a base.



Replacement parts — EG/PEG *(continued)*

WARNING The boiler contains ceramic fiber and fiberglass materials. Use care when handling these materials per instructions on page 29 of this manual. Failure to comply could result in severe personal injury.



EG Series 6