

**THIS SPACE FOR DESIGNER/ENGINEER APPROVAL**

Job/Customer _____	Date _____	Contractor _____
Model Specified _____	Qty _____	Approved By _____
Designer/Engineer _____	Date _____	Contractor's PO# _____
Submitted by _____	Date _____	Other _____

# 8061W Series

**Full Port Forged Brass Ball Valves  
w/ Hi-Flow Hose Drain, Adjustable Packing Gland  
& Reversible Handle - LEAD FREE**

**Press**

**250 CWP / 250°F Max**

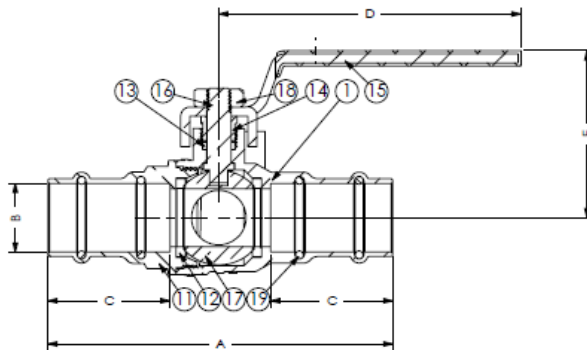
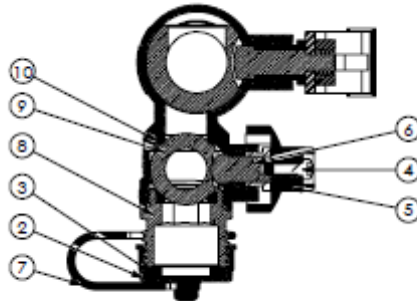
**ISO 9001**



Certified to  
NSF/ANSI 61  
& NSF/ANSI 372



LEAD FREE ITEM #	SIZE	CTN	CASE	A	B	C	D	E
80612W	1/2"	4	40	3 3/4	5/8	1 3/8	3 7/8	1 15/16
80613W	3/4"	4	32	4 7/16	7/8	1 9/16	3 7/8	2 1/8
80614W	1"	2	20	4 13/16	1 1/8	1 9/16	4 11/16	2 5/8
80615W	1 1/4"	2	16	5 1/2	1 3/8	1 3/4	4 11/16	3
80616W	1 1/2"	1	8	5 7/8	1 5/8	1 13/16	5 5/8	3 9/16
80617W	2"	1	6	7	2 1/8	2 1/8	5 5/8	3 15/16



NO.	DESCRIPTION	MATERIAL
1	BODY	BRASS
2	DRAIN CAP	BRASS
3	WASHER	EPDM
4	SCREW	STAINLESS STEEL
5	DRAIN HANDLE	ALUMINUM
6	DRAIN STEM	BRASS
7	STRAP	PVC
8	DRAIN END CAP	BRASS
9	DRAIN BALL	BRASS CP
10	SEAT	PTFE
11	END CAP	BRASS
12	SEAT	PTFE
13	PACKING STEM	PTFE
14	PACKING NUT	BRASS
15	HANDLE	STEEL HCP
16	STEM	BRASS
17	TEE BALL	BRASS CP
18	NUT	STAINLESS STEEL
19	O-RING	EPDM

TEMP °F	PSI
100	250
250	200

**Specifications:** Designed for residential, commercial or industrial use with water, oil or gas. This approved Webstone valve is actuated by a blowout proof stem and features an adjustable packing gland



Quality and Commitment Since 1954

www.webstonevalves.com · P: (800) 225-9529 · F: (800) 336-5133

Webstone product specifications in U.S. customary units are approximate and are provided for reference only. Webstone reserves the right to change or modify product design, construction, specifications or materials without prior notice and without incurring any obligation to make such changes and modifications on Webstone products previously or subsequently sold.