

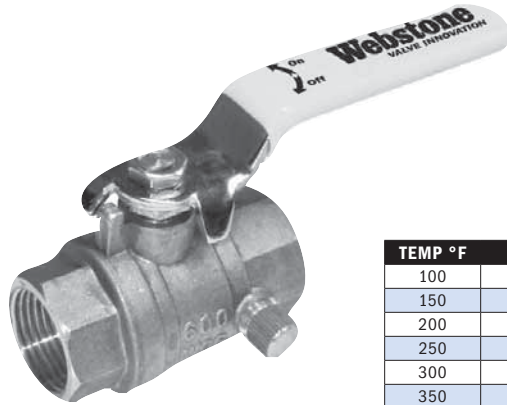
# Full Port Forged Brass Ball Valves

w/ Bleeder & Reversible Handle

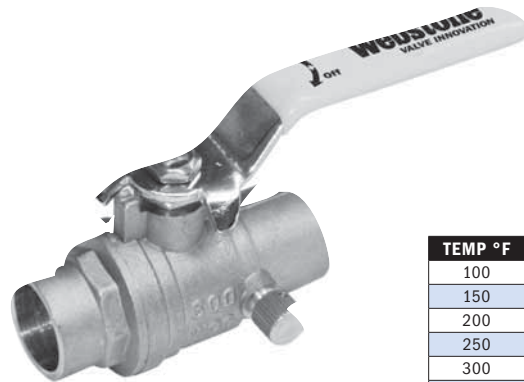
600 WOG / 150 WSP  
ISO 9001

## 4062 Series - IPS

## 5062 Series - CxC



TEMP °F	PSI
100	600
150	490
200	470
250	439
300	411
350	294
366	N/A



TEMP °F	PSI
100	600
150	485
200	395
250	210
300	N/A
350	N/A
366	N/A

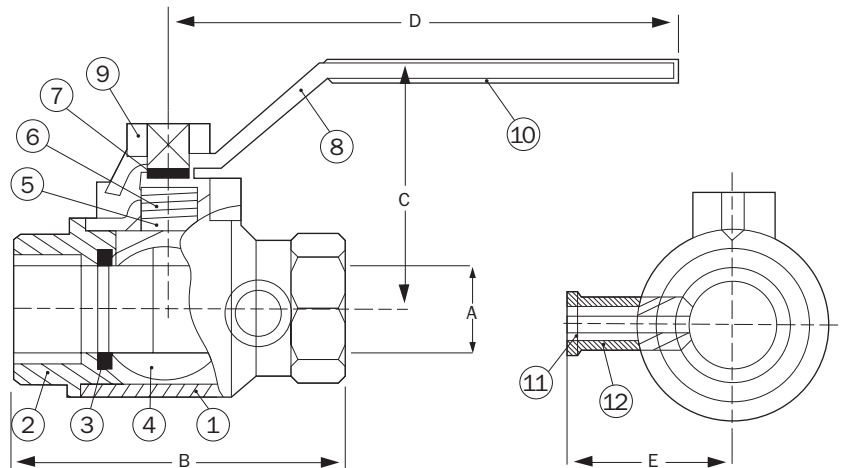
### 4062 Series - IPS

ITEM #	SIZE	CTN	CASE	A	B	C	D	E	C <sub>v</sub>
40622	1/2"	20	80	1/2	2 1/4	1 3/4	3 1/4	1	11.5
40623	3/4"	12	48	3/4	2 5/8	2 1/8	4	1 1/4	27.1
40624	1"	8	32	1	2 7/8	2 1/2	4 3/4	1 3/8	49.3

### 5062 Series - CxC

ITEM #	SIZE	CTN	CASE	A	B	C	D	E	C <sub>v</sub>
50622	1/2"	25	100	1/2	2 1/2	1 7/8	3 5/16	1	11.5
50623	3/4"	10	40	3/4	2 7/8	2 1/16	3 15/16	1 1/4	27.0
50624	1"	6	24	1	3 11/16	2 1/2	4 1/2	1 3/8	49.3

NO.	DESCRIPTION	MATERIAL
1	BODY	BRASS
2	END CAP	BRASS
3	SEAT	PTFE
4	BALL	BRASS HCP
5	STEM	BRASS
6	STEM SEAL	PTFE
7	PACKING GLAND	BRASS
8	HANDLE	STEEL CP
9	HANDLE NUT	STEEL CP
10	HANDLE JACKET	VINYL
11	DRAIN PACKING	CR
12	DRAIN CAP	BRASS



Specifications: Designed for residential, commercial or industrial use with water, oil or gas. This approved Webstone valve is actuated by a blowout proof stem. Threaded ends comply with ANSI B1.20.1. Solder joint temperature ratings are per ASME B16.18 Annex A for 95-5 solder. Other solder materials have lower pressure/temperature limits. Do not silver braze or overheat valves when soldering.

### THIS SPACE FOR DESIGNER / ENGINEER APPROVAL

Job/Customer _____	Date _____	Contractor _____
Model Specified _____	Qty _____	Approved By _____
Designer/Engineer _____	Date _____	Contractor's PO# _____
Submitted by _____	Date _____	Other _____