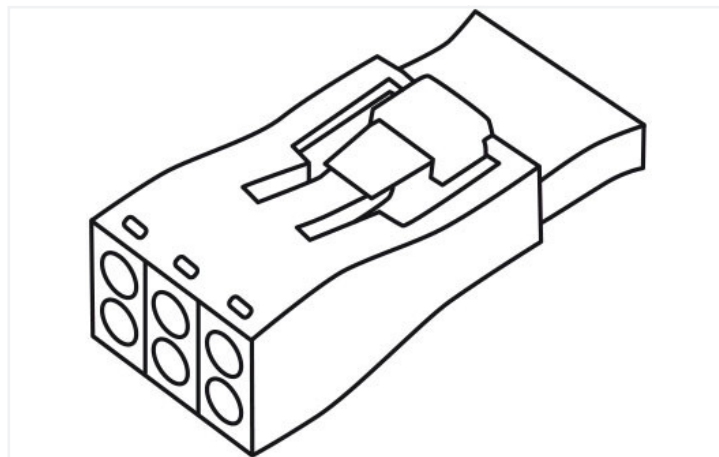
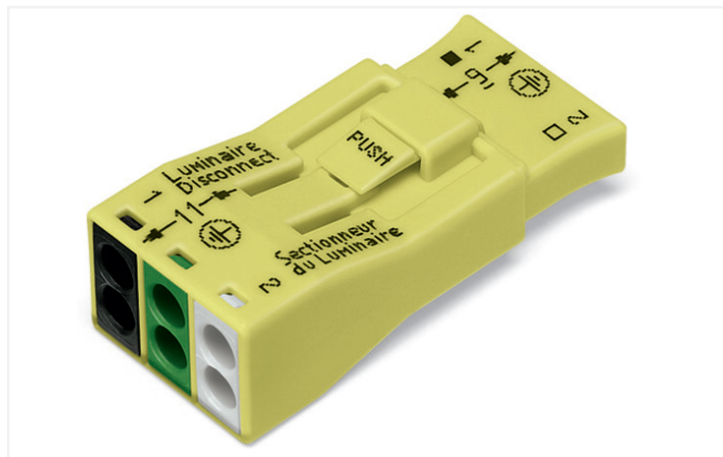


# Data Sheet | Item Number: 873-953

Luminaire disconnect connector; 3-pole; 4,00 mm<sup>2</sup>; yellow

<https://www.wago.com/873-953>



Color:  yellow

## Electrical data

### Ratings per IEC/EN

Ratings per	EN 60998
Nominal voltage (U <sub>N</sub> )	400 V
Rated surge voltage (U <sub>s</sub> )	4 kV
Rated current	6 A

### Ratings per IEC/EN 2

Ratings per 2	EN 61984
---------------	----------

## Connection data

Connection points	9
Total number of potentials	3

### Connection 1

Connection type 1	Plug
Connection technology	PUSH WIRE®
Actuation type	Push-in
Connectable conductor materials	Copper
Solid conductor	16 ... 12 AWG
Pole number	3

### Connection 2

Connection type 2	Socket
-------------------	--------

## Material Data

Note (material data)

[Information on material specifications can be found here](#)

Color	yellow
Fire load	0.144 MJ
Weight	6.9 g

Commercial data	
Product Group	8 (Misc. Chassis Mount Blocks)
eCl@ss 10.0	27-44-03-14
eCl@ss 9.0	27-44-03-14
ETIM 8.0	EC000458
ETIM 7.0	EC000458
PU (SPU)	500 pcs
Packaging type	Bag
Country of origin	CN
GTIN	4050821857952
Customs tariff number	85366990990

### Approvals / Certificates

#### General approvals



Approval	Standard	Certificate Name
CCA DEKRA Certification B.V.	EN 61984	NTR NL-7390
CCA DEKRA Certification B.V.	EN 61984	2178521.01
CCA DEKRA Certification B.V.	EN 60998	71-114174
CCA DEKRA Certification B.V.	EN 60998	NTR NL-7391
CSA DEKRA Certification B.V.	C22.2 No. 182.3	1961671
UL UL International Germany GmbH	UL 2459	E313353

### Downloads

#### Environmental Product Compliance

Compliance Search	
Environmental Product Compliance 873-953	<a href="#">↓</a>

### Documentation

Bid Text			
873-953	21.02.2019	docx 15.01 KB	<a href="#">↓</a>
873-953	19.02.2019	xml 3.17 KB	<a href="#">↓</a>

### CAD/CAE-Data

CAD data

2D/3D Models 873-953



CAE data

ZUKEN Portal 873-953

