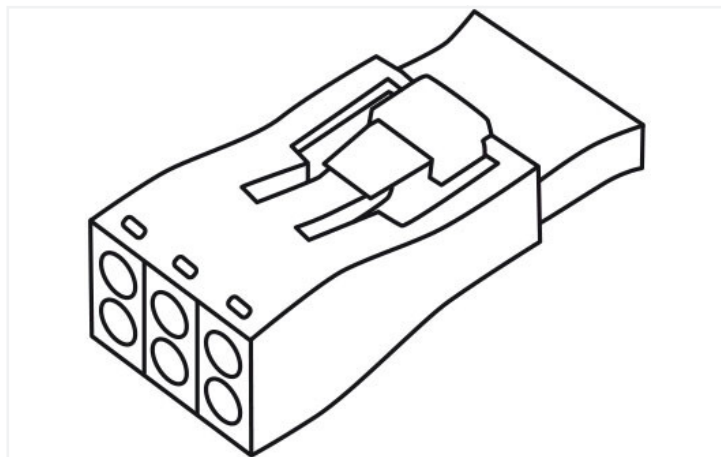
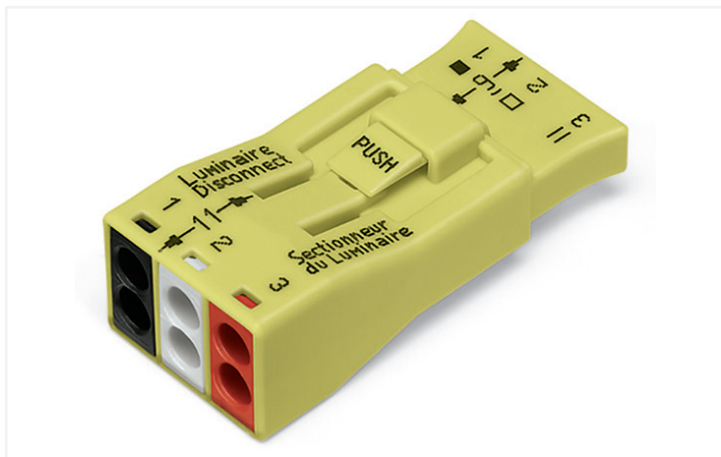



Data Sheet | Item Number: 873-903

Luminaire disconnect connector; 3-pole; 4,00 mm²; yellow

<https://www.wago.com/873-903>



Color:  yellow

Electrical data

Ratings per IEC/EN

Ratings per	EN 60998
Nominal voltage (U _N)	400 V
Rated surge voltage (U _s)	4 kV
Rated current	6 A

Ratings per IEC/EN 2

Ratings per 2	EN 61984
---------------	----------

Connection data

Connection points	9
Total number of potentials	3

Connection 1

Connection type 1	Plug
Connection technology	PUSH WIRE®
Actuation type	Push-in
Connectable conductor materials	Copper
Solid conductor	16 ... 12 AWG
Pole number	3

Connection 2

Connection type 2	Socket
-------------------	--------

Material Data

Note (material data)

[Information on material specifications can be found here](#)

Color	yellow
Fire load	0.144 MJ
Weight	6.9 g

Commercial data	
Product Group	8 (Misc. Chassis Mount Blocks)
eCl@ss 10.0	27-44-03-14
eCl@ss 9.0	27-44-03-14
ETIM 8.0	EC000458
ETIM 7.0	EC000458
PU (SPU)	200 (20) pcs
Packaging type	Box
Country of origin	CN
GTIN	4045454671815
Customs tariff number	85366990990

Approvals / Certificates

General approvals



Approval	Standard	Certificate Name
CCA DEKRA Certification B.V.	EN 61984	NTR NL-7390
CCA DEKRA Certification B.V.	EN 61984	2178521.01
CCA DEKRA Certification B.V.	EN 60998	71-114174
CCA DEKRA Certification B.V.	EN 60998	NTR NL-7391
CSA DEKRA Certification B.V.	C22.2 No. 182.3	1961671
UL UL International Germany GmbH	UL 2459	E313353

Downloads

Environmental Product Compliance

Compliance Search	
Environmental Product Compliance 873-903	↓

Documentation

Bid Text			
873-903	21.02.2019	docx 14.87 KB	↓
873-903	19.02.2019	xml 3.11 KB	↓

CAD/CAE-Data



CAD data

2D/3D Models 873-903



CAE data

ZUKEN Portal 873-903

